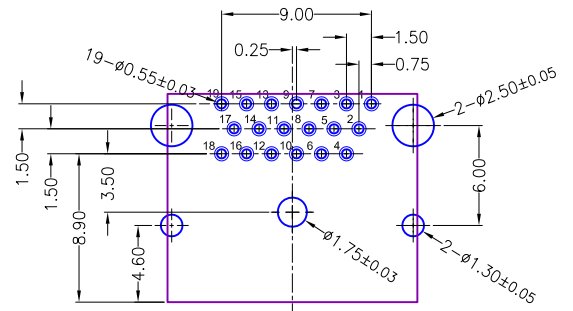
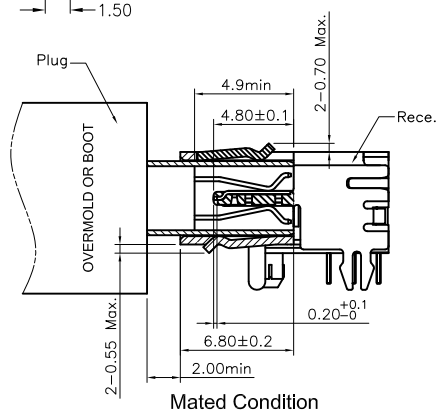
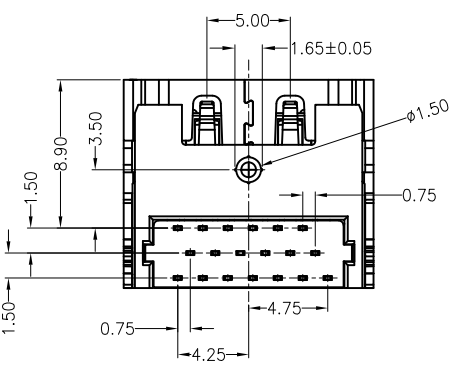
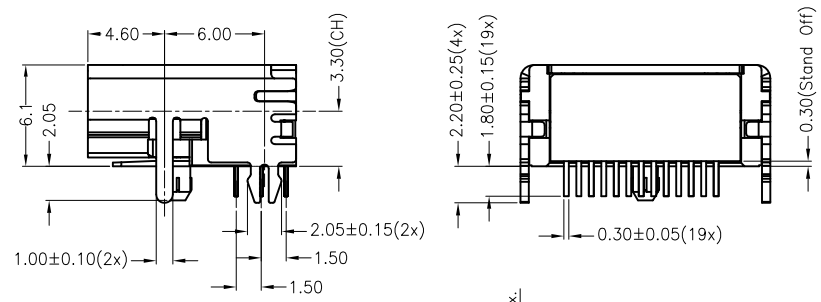
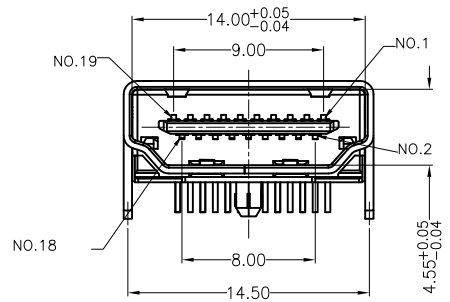
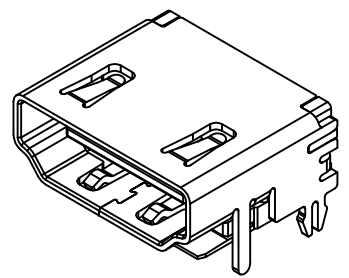
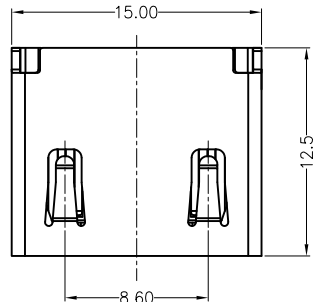


REVISION HISTORY			
REV	DESCRIPTION	Drawing	DATE
01	PROPOSAL	Mei	2018/07/09



RECOMMENDED PCB LAYOUT

- NOTE:
- MATERIAL:
    - INSULATOR: LCP, UL94 V-0, BLACK
    - CONTACT: C2680
    - SHELL: SPCC
  - FINISH:
    - TERMINAL: 50u" MIN. NICKEL PLATED OVERALL
    - CONTACT: SELECTIVE GOLD PLATED, SEE TABLE A
    - TAIL: 100u" MATT-TIN PLATED
    - SHELL: 80u" MIN. NICKEL PLATED OVERALL
  - PRODUCT SPECIFICATION REFER TO SP-A0613-01
  - PACKAGE DRAWING REFER TO PA0613-01
  - PRODUCT MUST CONFORM TO RoHS AND HALOGEN FREE REQUIREMENT
  - DATE CODE: XX (YEAR), XX (MONTH) ,XX (DATE), LASER

TABLE

FIH P/N	TABLE A GOLD PLATING THICKNESS
A0613-0003	30u"
A0613-0001	G/F

PIN NO.	1	2	3	4	
PIN DEFINE	VBUS	D-	D+	GND	
REMARK	USB2.0 CONTACT PIN				
PIN NO.	5	6	7	8	9
PIN DEFINE	SSRX-	SSRX+	GND	SSTX-	SSTX+
REMARK	USB3.0 CONTACT PIN				

PRODUCT SPECIFICATION: DOC.No: SP-A0613-01	SCALE 1 - 1	DESIGN UNITS mm
TEST REPORT DOC.No: TR-A0613-01	DRAWN Mei	DATE 2017/10/20
GENERAL TOLERANCES (UNLESS SPECIFIED)	CHECKED	DATE
X.XXX ± 0.20	APPROVED	DATE
X.XX ± 0.20		
X.X ± 0.25		
ANGULAR ± 3°	DWG NO. SA0613-001	PART NO. TABLE A
THIRD ANGLE PROJECTION		DWG REV. 01
		SHEET NO. 1 OF 1

FULLINHOPE Technology, LTD.

TITLE

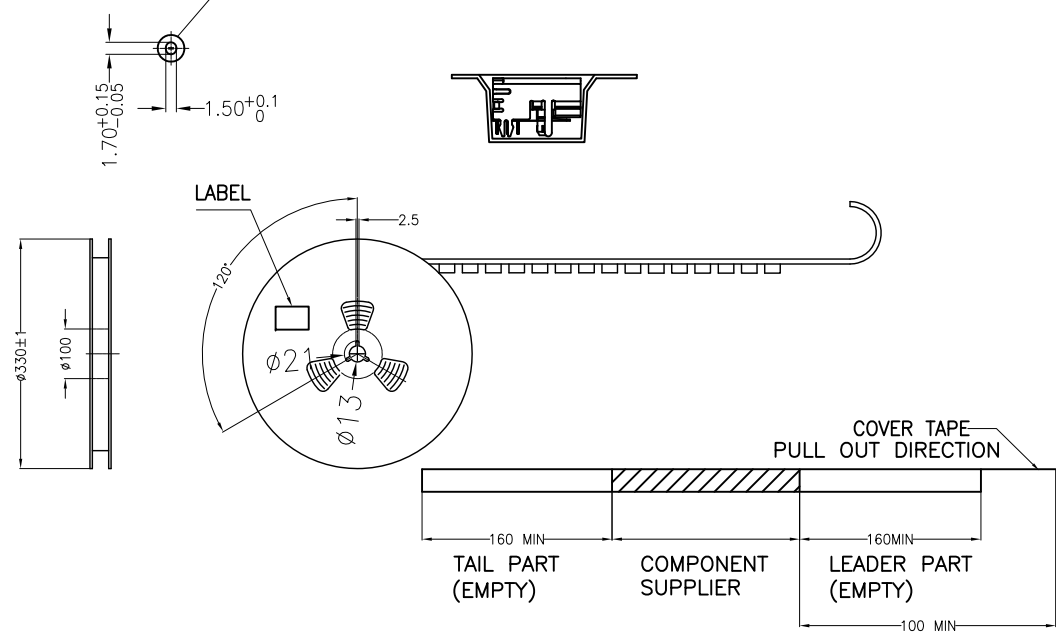
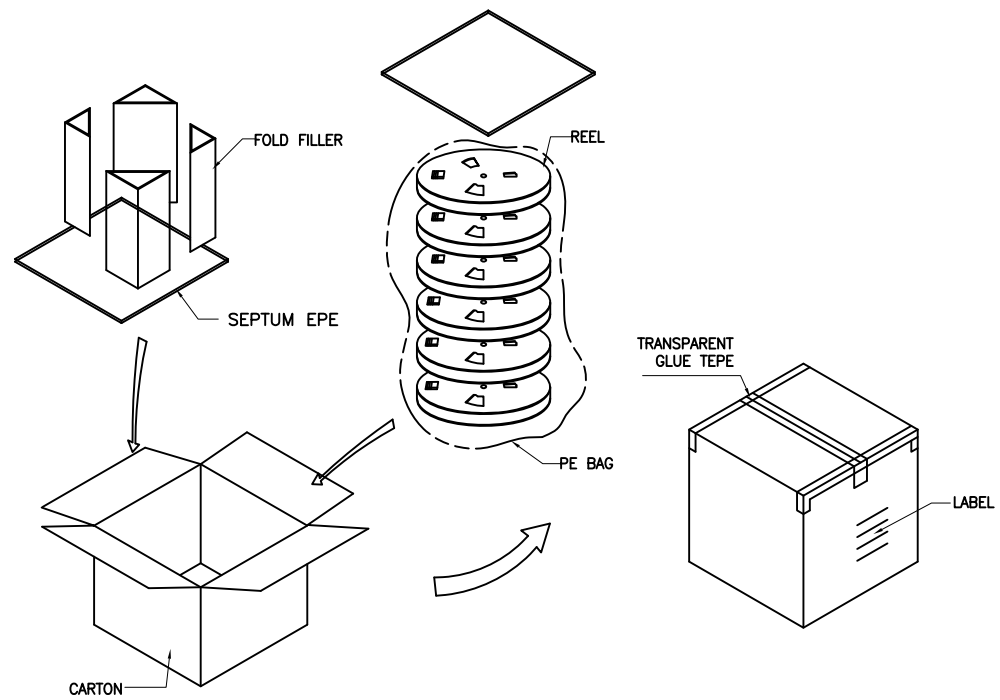
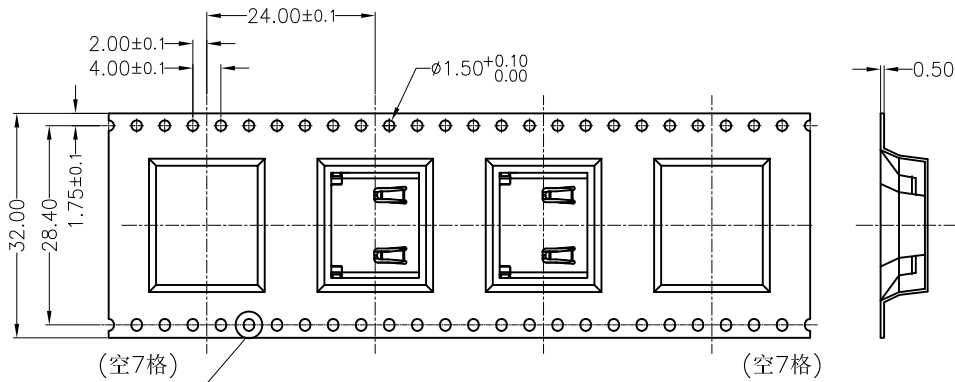
HDMI AF R/A DIP  
TYPE 3ROWS CH=3.3

REVISION HISTORY			
REV	DESCRIPTION	Drawing	DATE
01	PROPOSAL	Mei	2018/07/09

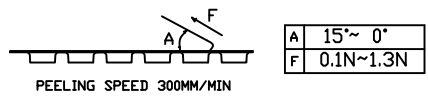
F  
E  
D  
C  
B  
A

DWG\_FRAME  
Rev. A 2010/11/01

PULL OUT DIRECTION



1.COVER TAPE PEELING FORCE:



2.PART DIMENSIONS MEET EIA-481-2-A REQUIREMENT

TABLE :

PRODUCT P/N	PARTS PER SHIPPING CARTON	PARTS PER REEL	LOADED REEL PER SHIPPING CARTON
A0613-0003	3000	300	10
A0613-0001			

PRODUCT SPECIFICATION: DOC.No: SP-Axxxx-001	SCALE 1 - 1	DESIGN UNITS mm	FULLINHOPE Technology, LTD.	
TEST REPORT DOC.No: TR-Axxxx-001	DRAWN Mei	DATE 2017/10/23	TITLE HDMI AF R/A DIP TYPE 3ROWS CH=3.3	
GENERAL TOLERANCES (UNLESS SPECIFIED)	CHECKED	DATE		
X.XXX ± 0.20	APPROVED	DATE		
X.XX ± 0.20				
X.X ± 0.25				
ANGULAR ± 3°				
THIRD ANGLE PROJECTION	DWG NO. PA0613-001	PART NO. see table	DWG REV. 01	SHEET NO. 1 OF 1