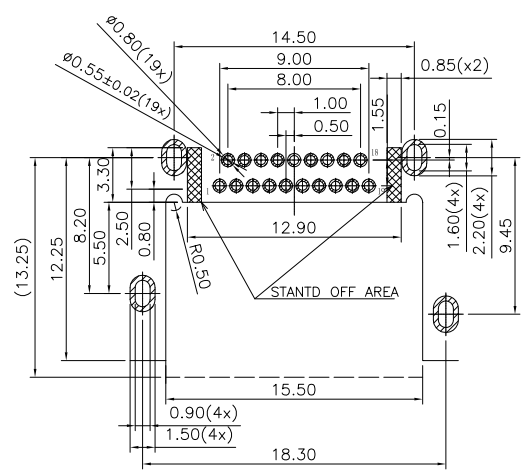
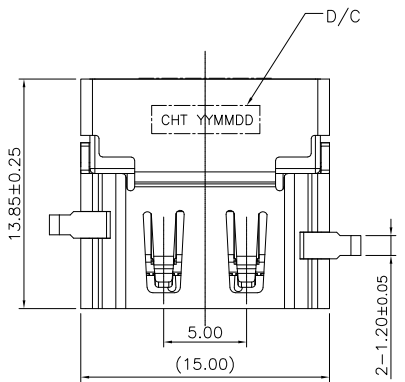
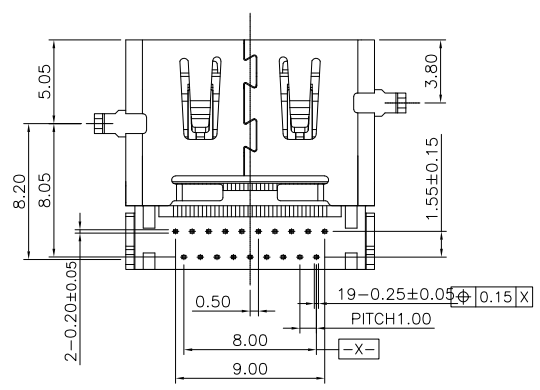
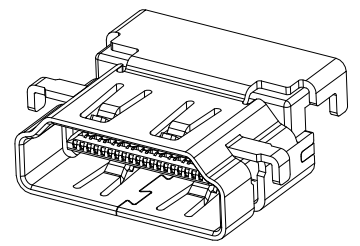
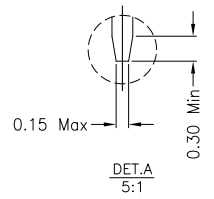
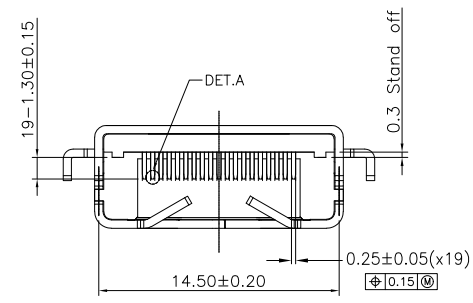
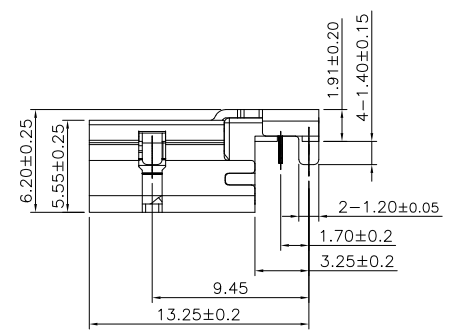
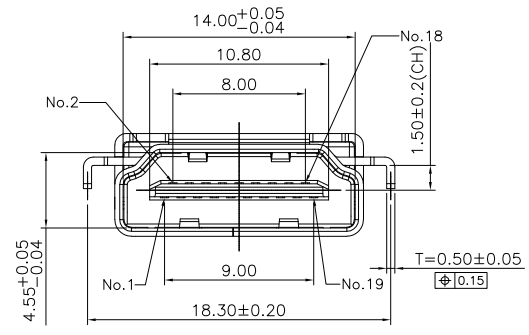


REVISION HISTORY			
REV	DESCRIPTION	Drawing	DATE
02	PROPOSAL	Allen	2020/03/03



RECOMMENDED P.C.B LAYOUT (COMPONENT SIDE)
THICKNESS=1.20±0.05 (TOP VIEW)

- NOTE:
- MATERIAL:
 - INSULATOR: HIGH TEMPERATURE THERMOPLASTIC, UL94V-0
 - CONTACT: COPPER ALLOY.
 - SHELL: METAL
 - FINISH:
 - CONTACT: Au And Sn Plated, SELECTIVE GOLD PLATED, SEE TABLE A
 - SHELL: Ni Plated.
 - PRODUCT SPECIFICATION REFER TO SP-A0782-01
 - PACKAGE DRAWING REFER TO PA0782-01
 - PRODUCT MUST CONFORM TO RoHS AND HALOGEN FREE REQUIREMENT



TABLE

FIH P/N	TABLE A GOLD PLATING THICKNESS
A0796-0003	Au 30u"
A0796-0001	G/F

PRODUCT SPECIFICATION: DOC.No: SP-AXXX-XX	SCALE 1 : 1	DESIGN UNITS mm
TEST REPORT DOC.No: TR-AXXX-XX	DRAWN Allen	DATE 2020/01/09
GENERAL TOLERANCES (UNLESS SPECIFIED)	CHECKED	DATE
X.XXX ± 0.10	APPROVED	DATE
X.XX ± 0.25	DWG NO. SA0796-001	
X.X ± 0.38		
ANGULAR ± 3°		
THIRD ANGLE PROJECTION		

CHT 群匯科技股份有限公司
CHUIN HUEI Technology CO., LTD.

TITLE: HDMI RVS DIP CH=-1.5mm

PART NO. TABLE A	DWG REV. 02	SHEET NO. 1 OF 1
------------------	-------------	------------------