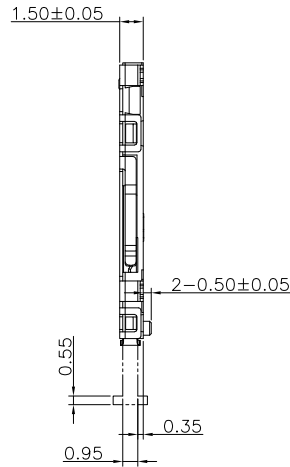
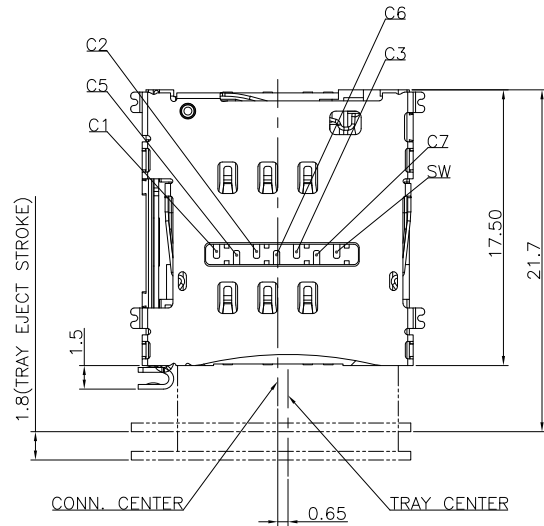
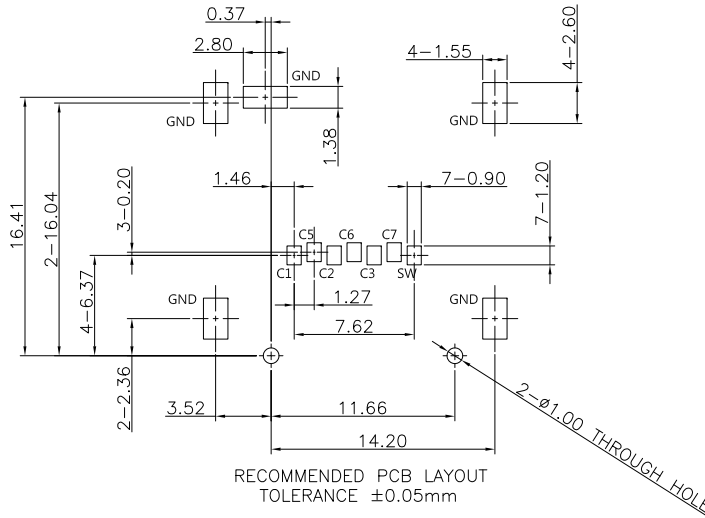
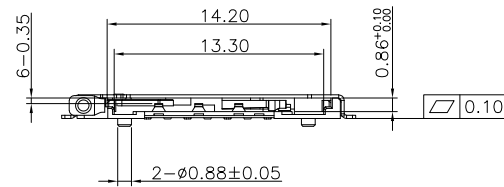
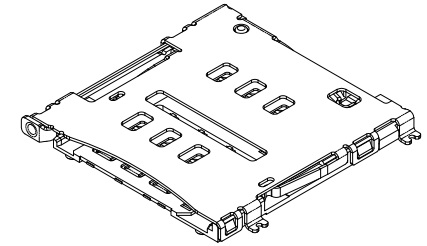


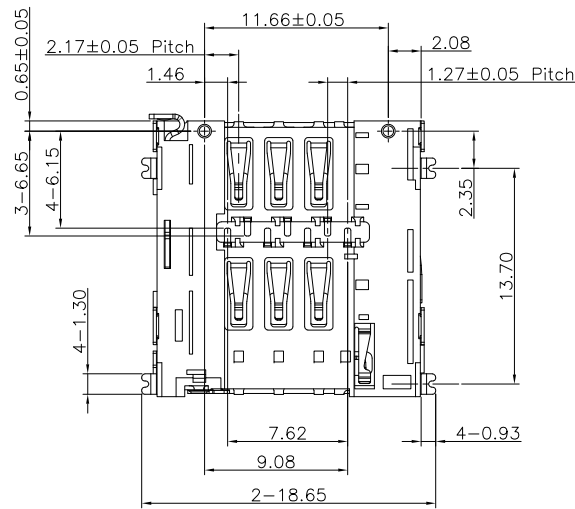
REVISION HISTORY			
REV	DESCRIPTION	Drawing	DATE
01	PROPOSAL	Allen	2021/12/27



Pin No.	Description	
	WITHOUT TRAY	TRAY INSERT
C1	Supply Voltage (Vcc)	
C2	Reset (RST)	
C3	Clock (CLK)	
C5	Ground	
C6	Programming Voltage (Vcc)	
C7	I/O	
SW	Detect Switch	
GND	Shielding Ground	



- NOTE:
- MATERIAL:
    - HOUSING: HIGH TEMPERATURE THERMOPLASTIC, UL94V-0, COLOR: BLACK
    - CONTACT: COPPER ALLOY.
    - SHIELD SHELL: STAINLESS STEEL.
  - FINISH:
    - CONTACT: PLSTED 50 $\mu$  Ni OVERALL, CONTACT AREA 1 $\mu$  Au.
    - SHIELD SHELL: PLSTED 30 $\mu$  MIN. SOLDERABILITY Ni OVERALL.



TABLE

FIH P/N	TABLE A GOLD PLATING THICKNESS
A0906-0001	Au 30 $\mu$
A0906-0001	G/F

PRODUCT SPECIFICATION: DOC.No: SP-XXXX-XX	SCALE 1 : 1	DESIGN UNITS mm
TEST REPORT DOC.No: TR-XXXX-XX	DRAWN Allen	DATE 2021/12/27
GENERAL TOLERANCES (UNLESS SPECIFIED)	CHECKED	DATE
X.XXX ± 0.10	APPROVED	DATE
X.XX ± 0.25		
X.X ± 0.38		
ANGULAR ± 3°	DWG NO. SA0906-001	
THIRD ANGLE PROJECTION		

**CHT** 群匯科技股份有限公司  
CHIUN HUEI Technology CO., LTD.

TITLE  
MICRO SIM EJECTED PIN  
PUSH WITH TRAY H1.5

PART NO. TABLE A	DWG REV. 01	SHEET NO. 1 OF 1
---------------------	----------------	---------------------