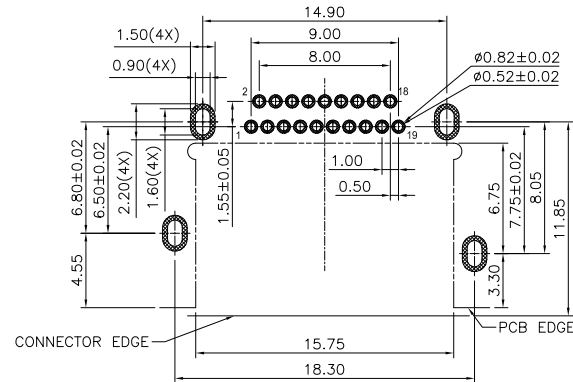
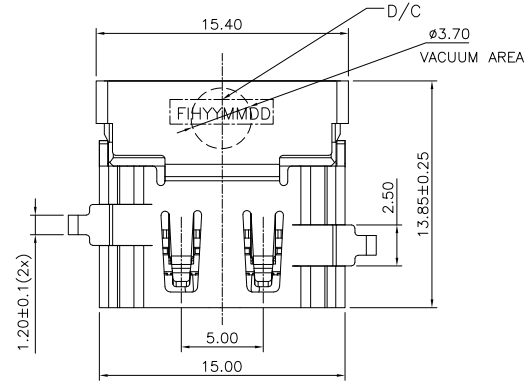


REVISION HISTORY			
REV	DESCRIPTION	Drawing	DATE
01	PROPOSAL	Allen	2021/12/20



RECOMMENDED P.C.B LAYOUT (COMPONENT SIDE)
THICKNESS=1.20±0.05 (TOP VIEW)

- NOTE:
- MATERIAL:
 - HOUSING: HIGH TEMPERATURE THERMOPLASTIC, UL94V-0, COLOR: BLACK.
 - CONTACT: COPPER ALLOY.
 - SHELL: METAL.
 - FINISH:
 - TERMINAL: 50u" MIN. NICKEL PLATED OVERALL
 - CONTACT: SELECTIVE GOLD PLATED, SRR TABLE A.
 - TAIL: 100u" MIN MATT-TIN PLATED.
 - SHELL: 50u" MIN. NICKEL PLATED OVERALL.

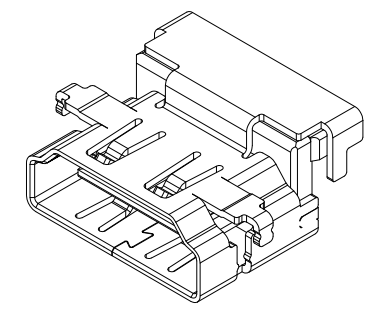
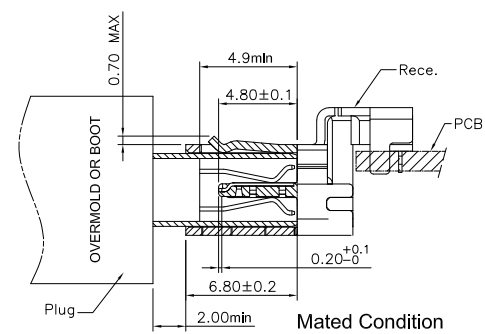
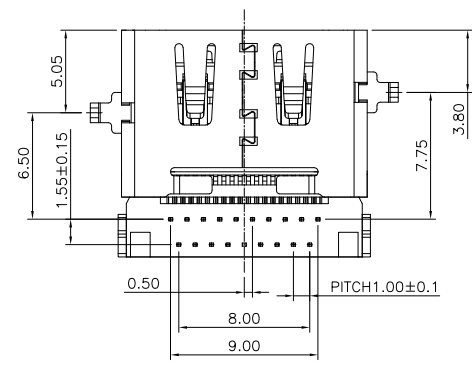
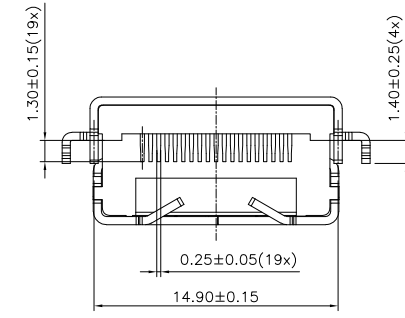
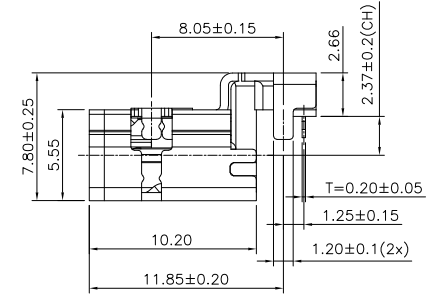
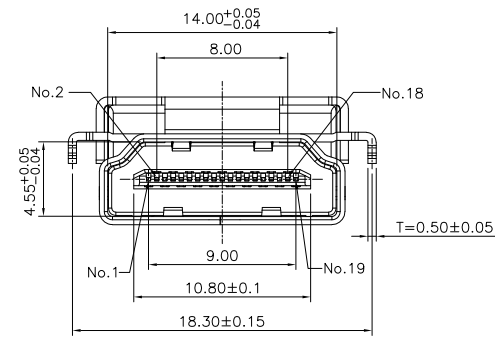


TABLE	
FIH P/N	TABLE A GOLD PLATING THICKNESS
A0902-0003	Au30u
A0902-0001	G/F

PRODUCT SPECIFICATION: DOC.No: SP-Axxxx-001	SCALE 1 : 1	DESIGN UNITS mm
TEST REPORT DOC.No: TR-Axxxx-001	DRAWN Allen	DATE 2021/12/20
GENERAL TOLERANCES (UNLESS SPECIFIED)	CHECKED	DATE
X.XXX ± 0.15	APPROVED	DATE
X.XX ± 0.25		
X.X ± 0.30		
ANGULAR ± 3°		
THIRD ANGLE PROJECTION	DWG NO. SA0902-001	

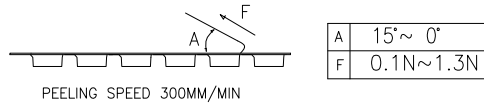
FULLINHOPE Technology, LTD.

TITLE
HDMI A TYPE REVERSE,
SINK , C/H=-2.37mm

PART NO. TABLE A	DWG REV. 01	SHEET NO. 1 OF 1
---------------------	----------------	---------------------

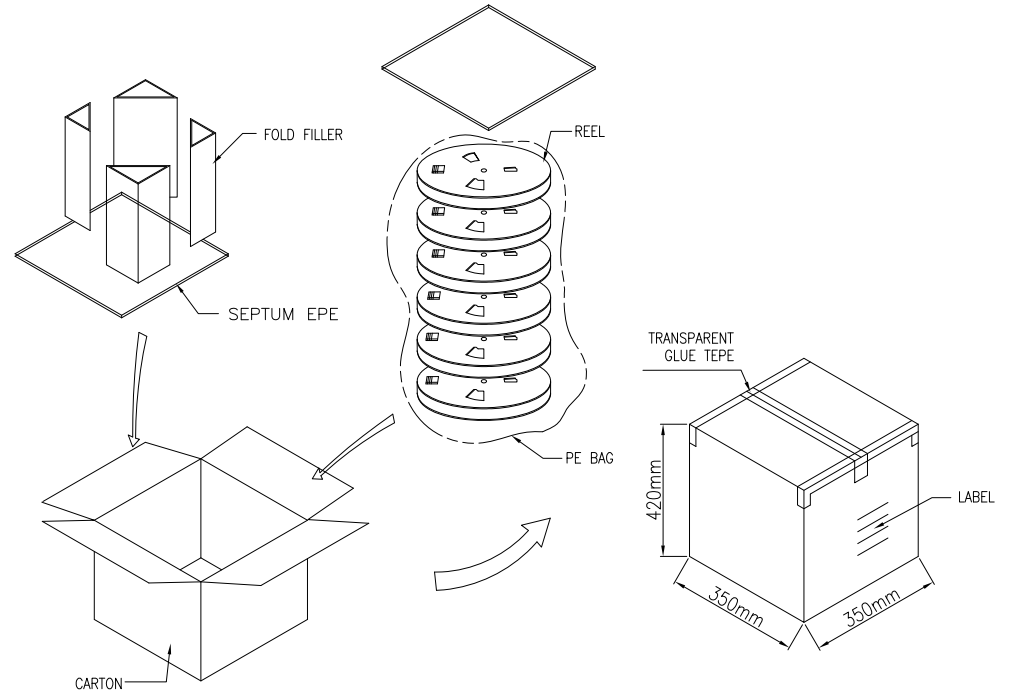
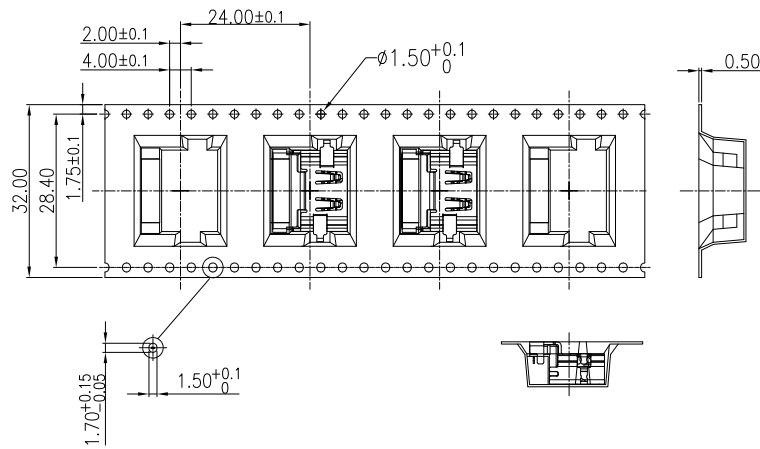
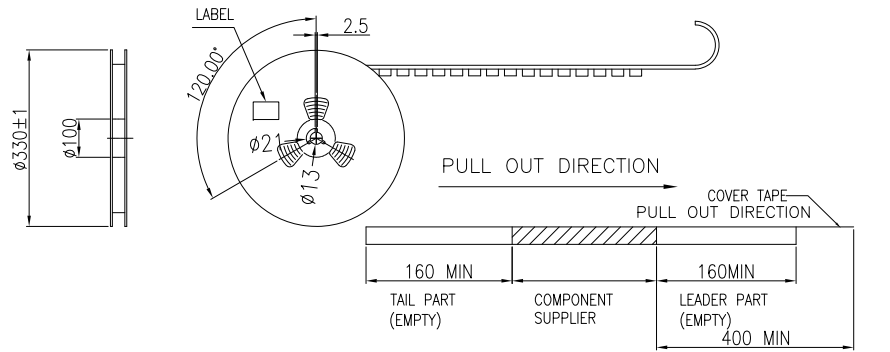
REVISION HISTORY			
REV	DESCRIPTION	Drawing	DATE
01	PROPOSAL	Allen	2021/12/20

1. QUANTITY: 300 PCS
2. COVER TAPE PEELING FORCE:



PEELING SPEED 300MM/MIN

3. PART DIMENSIONS MEET EIA-481-D REQUIREMENT



PRODUCT P/N	PARTS PER SHIPPING CARTON	PARTS PER REEL	LOADED REEL PER SHIPPING CARTON
A0902-0003	3000	300	10
A0902-0001			

PRODUCT SPECIFICATION: DOC.No: SP-AXXXX-001	SCALE 1 : 1	DESIGN UNITS mm	FULLINHOPE Technology, LTD.	
TEST REPORT DOC.No: TR-AXXXX-001	DRAWN Allen	DATE 2021/12/20		
GENERAL TOLERANCES (UNLESS SPECIFIED)	CHECKED	DATE		
X.XXX ± 0.20	APPROVED	DATE		
X.XX ± 0.20				
X.X ± 0.25				
ANGULAR ± 3°				
THIRD ANGLE PROJECTION	DWG NO. PA0902-001	PART NO. SEE TABLE	DWG REV. 01	SHEET NO. 1 OF 1