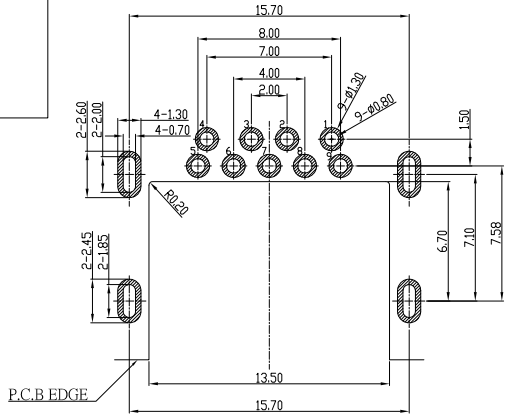


REVISION HISTORY			
REV	DESCRIPTION	Drawing	DATE
08	鐵殼彈片高度修改	Allen	2019/11/08



Recommended P.C.B Layout
TOLERANCE=±0.03 TOP VIEW

- NOTE:
- MATERIAL:
 - HOUSING: PA9T , UL94V-0, COLOR: BLACK
 - CONTACT: C5191
 - SHELL: SUS301
 - FINISH:
 - TERMINAL: 80u" MIN. NICKEL PLATED OVERALL
 - CONTACT: SELECTIVE GOLD PLATED, SEE TABLE A
 - TAIL: 100u" MIN MATT-TIN PLATED
 - SHELL: 50u" MIN. NICKEL PLATED OVERALL
 - PRODUCT SPECIFICATION REFER TO SP-A0676-01
 - PACKAGE DRAWING REFER TO PA0676-01
 - PRODUCT MUST CONFORM TO RoHS AND HALOGEN FREE REQUIREMENT

TABLE

FIH P/N	TABLE A GOLD PLATING THICKNESS
A0676-0003	Au30u
A0676-0001	G/F

PIN NO.	1	2	3	4	
SIGNAL NAME	VBUS	D-	D+	PGND	
REMARK	USB2.0 CONTACT PIN				
PIN NO.	5	6	7	8	9
SIGNAL NAME	SSRX-	SSRX+	GND	SSTX-	SSTX+
REMARK	USB3.0 CONTACT PIN				

PRODUCT SPECIFICATION: DOC.No: SP-AXXXX-001	SCALE 1 : 1	DESIGN UNITS MM
TEST REPORT DOC.No: TR-AXXXX-001	DRAWN Mei Chen	DATE 2018/12/20
GENERAL TOLERANCES (UNLESS SPECIFIED)	CHECKED	DATE
X.XXX ± 0.20	APPROVED	DATE
X.XX ± 0.20	DWG NO. SA0676-001	PART NO. SEE TABLE
X.X ± 0.25	THIRD ANGLE PROJECTION	DWG REV. 08
ANGULAR ± 3°		SHEET NO. 1 OF 1

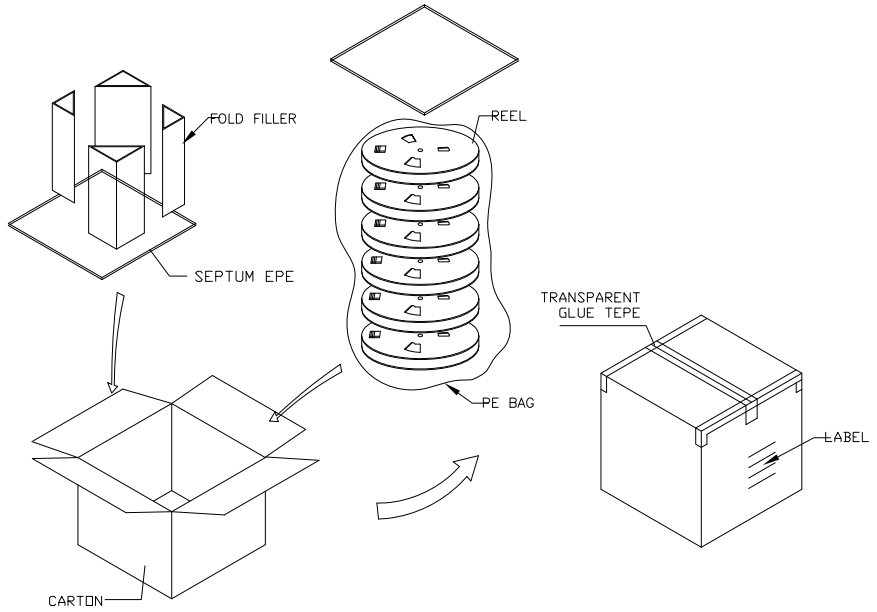
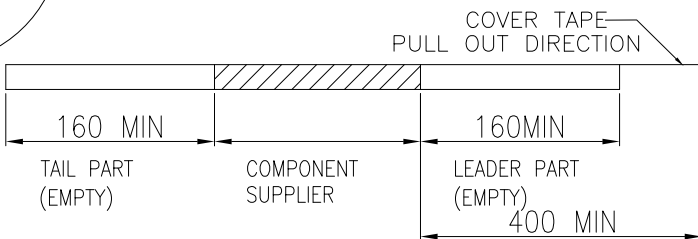
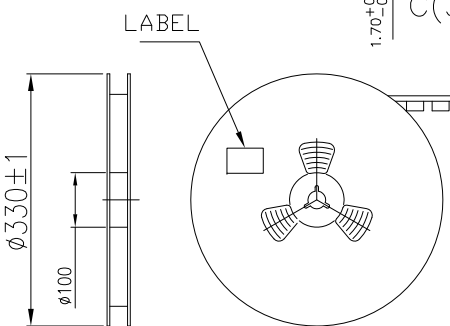
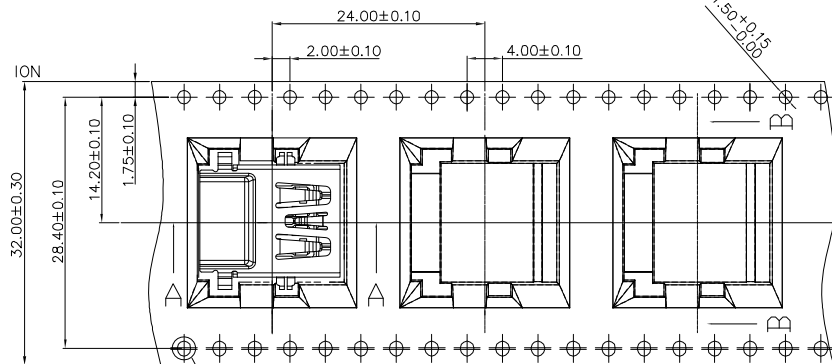
CHT 群匯科技股份有限公司
CHIUN HUEI Technology CO., LTD.

TITLE
REVERSE SINK TYPE CH=2.1
USB3.0 CONNECTOR

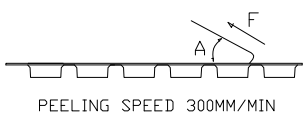
PULL OUT DIRECTION

REVISION HISTORY

REV	DESCRIPTION	Drawing	DATE
03	PROPOSAL	Mei Chen	2019/07/24



1. COVER TAPE PEELING FORCE:



A	15°~ 0°
F	0.1N~1.3N

PEELING SPEED 300MM/MIN

2. PART DIMENSIONS MEET EIA-481-2-A REQUIREMENT

TABLE

PRODUCT P/N	PARTS PER SHIPPING CARTON	PARTS PER REEL	LOADED REEL PER SHIPPING CARTON
A0676-0003	3500	350	10
A0676-0001			

PRODUCT SPECIFICATION: DOC.No: SP-Axxxx-001	SCALE 1 : 1	DESIGN UNITS mm
TEST REPORT DOC.No: TR-Axxxx-001	DRAWN Mei Chen	DATE 2018/12/21
GENERAL TOLERANCES (UNLESS SPECIFIED)	CHECKED	DATE
X.XXX ± 0.20	APPROVED	DATE
X.XX ± 0.20		
X.X ± 0.25		
ANGULAR ± 3°		
THIRD ANGLE PROJECTION	DWG NO. PA0676-001	PART NO. SEE TABLE

CHT 群匯科技股份有限公司
CHIUN HUEI Technology CO., LTD.

REVERSE SINK TYPE CH=2.10
USB3.0 CONNECTOR

DWG REV. 03	SHEET NO. 1 OF 1
----------------	---------------------