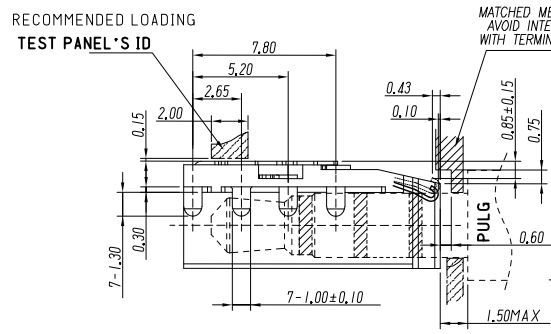
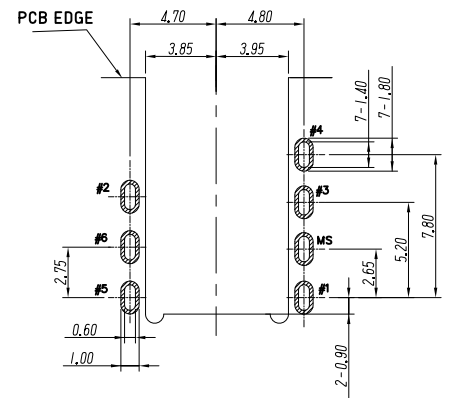
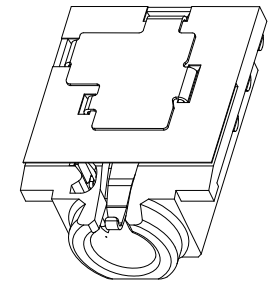
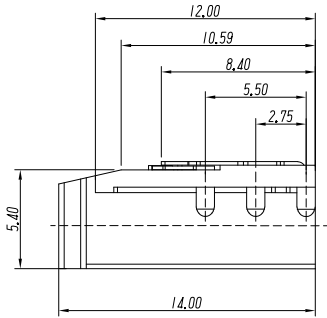
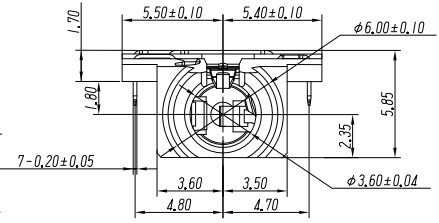


REVISION HISTORY			
REV	DESCRIPTION	Drawing	DATE
A	RELEASE	Sandy	2018/02/09

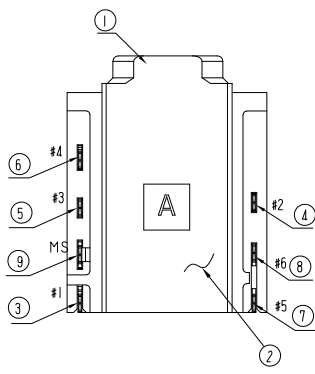


MATCHED MECHANISM'S ID NEED TO AVOID INTERFERENCE WITH TERMINAL AFTER PLUG IN

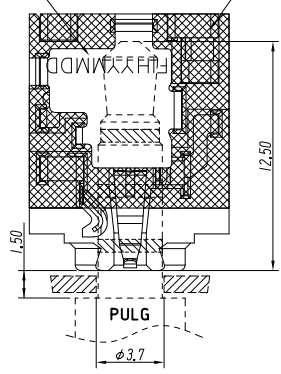


RECOMMENDED P.C.B LAYOUT

UNLESS SPECIFIED, OTHER USE TOLERANCE : ±0.05

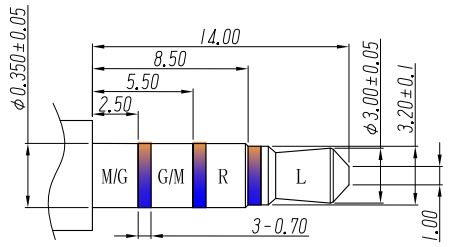


DATE CODE. MYLAR

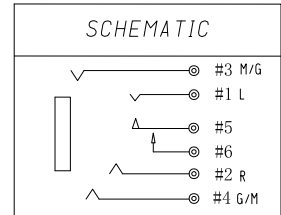


RECOMMENDED PANEL'S ID

- NOTE:
- MATERIAL:
HOUSING: PA9T UL94V-0 BLACK
SEPARATOR: PA9T UL94V-0 BLACK
 - TERMINAL: C5191 T=0.20MM
 - SHELL: C2680 T=0.20MM
 - FINISH:
TERMINAL: GOLD FLASH ON CONTACT AREA;
GOLD FLASH ON SOLDER AREA;
ALL OVER 50U" NICKEL
 - MYLAR: T=0.60 YELLOW
 - SPECIFICATION:
RATING : DC 30V 0.5A
CONTACT RESISTANCE: ≤30mΩ;
AFTER TEST: ≤50mΩ
INSULATION RESISTANCE: ≥100MΩ (500VDC);
AFTER TEST: ≥50MΩ
WITHSTAND VOLTAGE: 500VAC;
INSERTION AND EXTRACTION FORCE: 5N~30N
LIFE TEST: 5000cycles min;
 - PACKAGE DRAWING REFER TO PA0545-01
 - PRODUCT MUST CONFORM TO ROHS AND HALOGEN FREE REQUIREMENT



RECOMMENDED PLUG
φ3.5 4-POLE



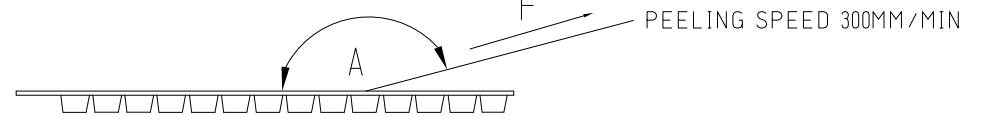
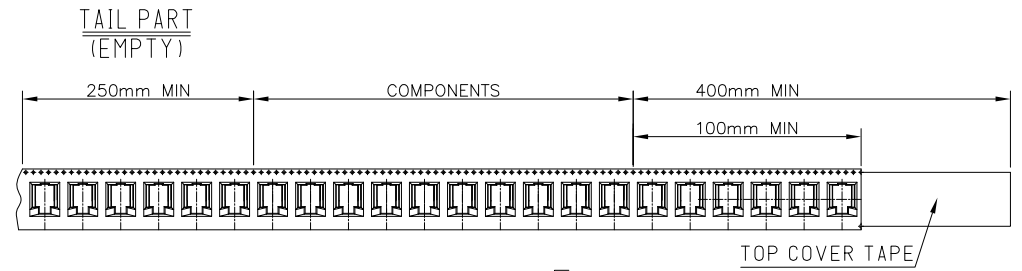
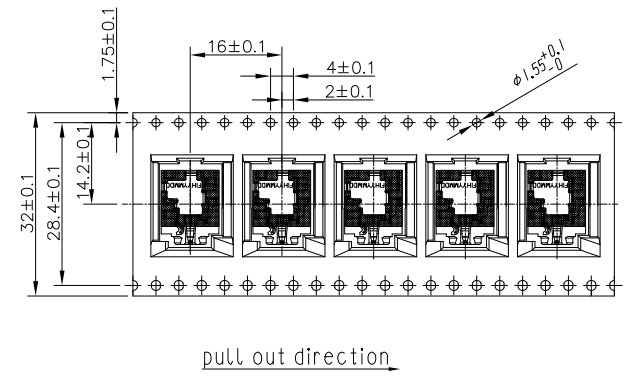
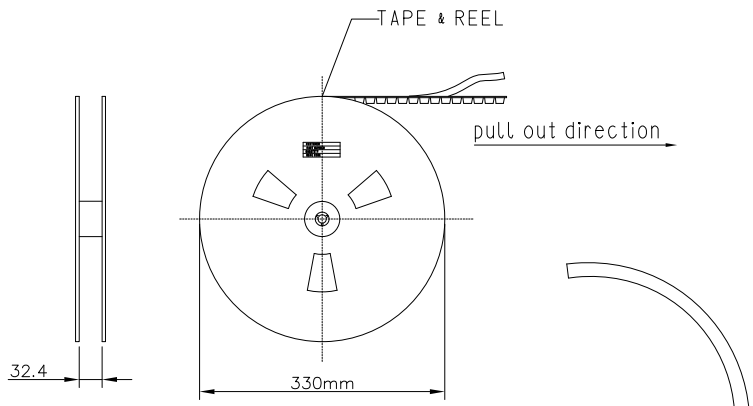
PRODUCT SPECIFICATION: DOC.No: SP-Axxxx-001	SCALE 1 : 1	DESIGN UNITS mm
TEST REPORT DOC.No: TR-Axxxx-001	DRAWN Sandy	DATE 2017/10/24
GENERAL TOLERANCES (UNLESS SPECIFIED)	CHECKED	DATE
X.XXX ± 0.20	APPROVED	DATE
X.XX ± 0.20		
X.X ± 0.25		
ANGULAR ± 3°		
THIRD ANGLE PROJECTION	DWG NO. SA0545-001	PART NO. A0545-0001

FULLINHOPE Technology, LTD.

φ3.5 AUDIO JACK
REVERSE HANG, CH 1.80mm

DWG REV. A	SHEET NO. 1 OF 1
---------------	---------------------

REVISION HISTORY			
REV	DESCRIPTION	Drawing	DATE
A	RELEASE	Sandy	2018/02/09



COVER TYPE PEELING FORCE

A	165° - 180°
F	0.1N - 1.3N

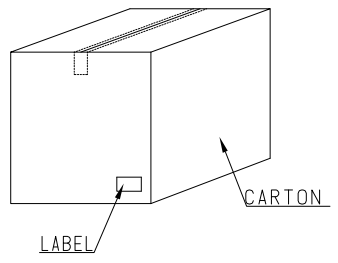
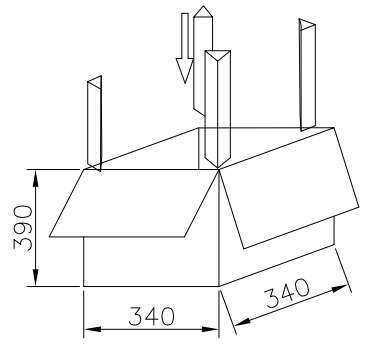


TABLE :

PRODUCT P/N	PARTS PER SHIPPING CARTON	PARTS PER REEL	LOADED REEL PER SHIPPING CARTON
A0545-0001	5000	500	10

PRODUCT SPECIFICATION: DOC.No: SP-AXXX-001	SCALE 1 : 1	DESIGN UNITS mm
TEST REPORT DOC.No: TR-AXXX-001	DRAWN Sandy	DATE 2017/10/24
GENERAL TOLERANCES (UNLESS SPECIFIED)	CHECKED	DATE
X.XXX ± 0.20		
X.XX ± 0.20		
X.X ± 0.25	APPROVED	DATE
ANGULAR ± 3°		
THIRD ANGLE PROJECTION	DWG NO. PA0545-001	PART NO. A0545-0001

FULLINHOPE Technology, LTD.

φ3.5 AUDIO JACK
REVERSE HANG, CH 1.80mm

PART NO. A0545-0001	DWG REV. A	SHEET NO. 1 OF 1
------------------------	---------------	---------------------