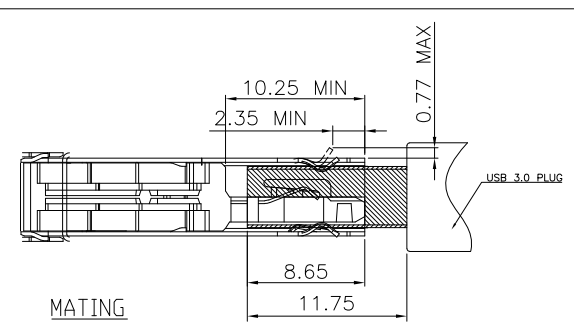
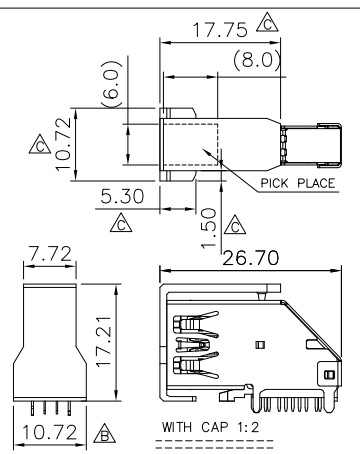
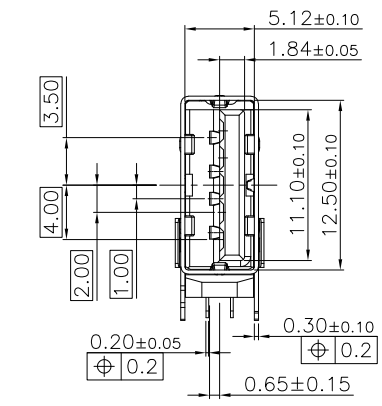
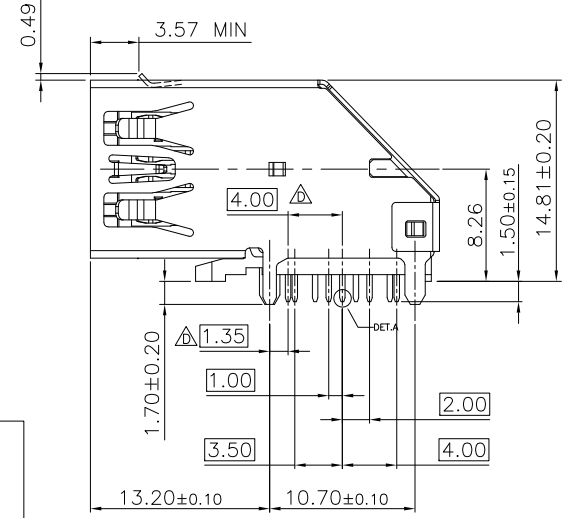
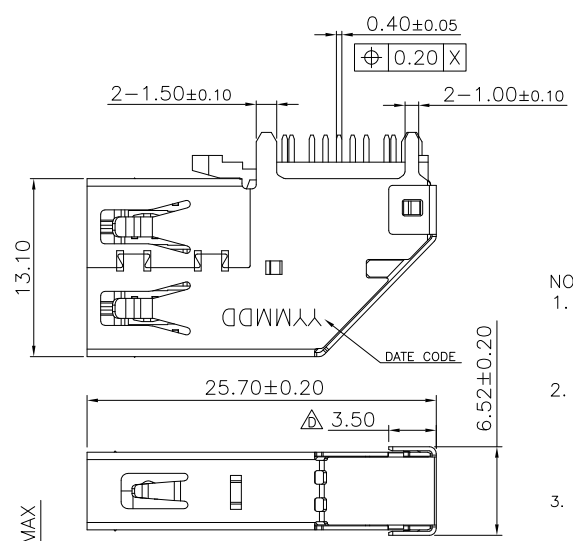
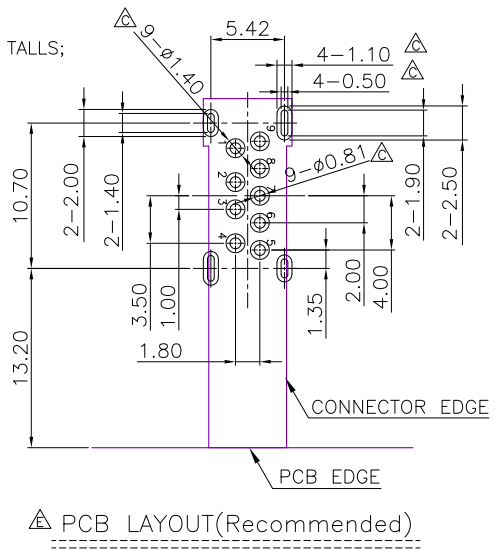


REVISION HISTORY			
REV	DESCRIPTION	Drawing	DATE
A	RELEASE	Sandy	2018/04/26
B	CAP尺寸變更	Mei Chen	2018/07/25
C	因尺寸標示錯誤予以修正	Mei Chen	2018/09/11
D	增加尺寸標示	Mei Chen	2018/12/27
E	修正LAUOUT	Mei Chen	2019/01/04

NOTE:
 1. MATERIAL:
 1.1 INSULATOR: PA9T, UL94 V-0,COLOR: SEE TABLE
 1.2 CONTACT:COPPER ALLOY(T=0.20mm)
 1.3 SHELL:SUS201(T=0.30mm)
 2. PLATING:
 2.1 TERMINAL: 100u" MIN MATT-TIN ON SOLDERING TALLS;
 50u" MIN NICKEL OVER ALL
 CONTACT: SEE TABLE
 SHELL: Ni 80u"min Plated All Over
 3. PACKAGE DRAWING FOR TO PA0430-001



TABLE

FIH P/N	HOUSING COLOR	GOLD THICKNESS
A0430-1003	BLUE	30u" Au
A0430-1001	BLUE	G/F

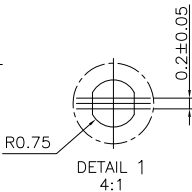
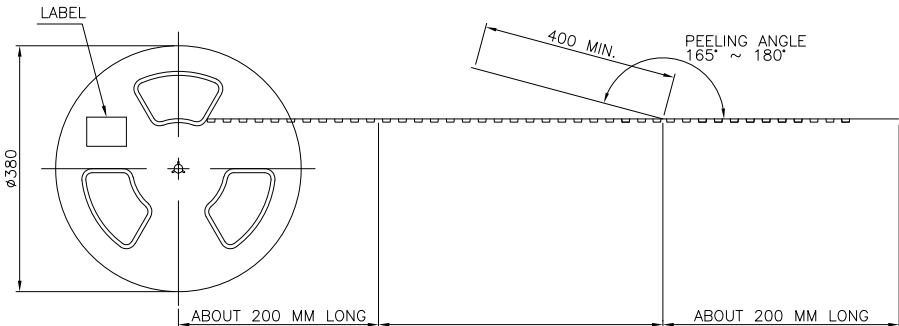
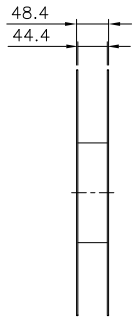
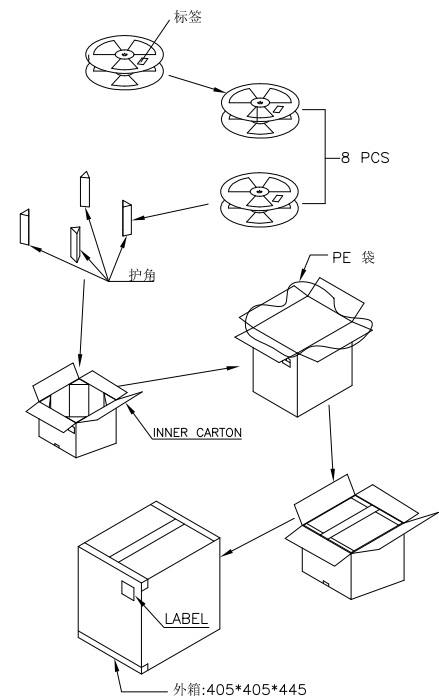
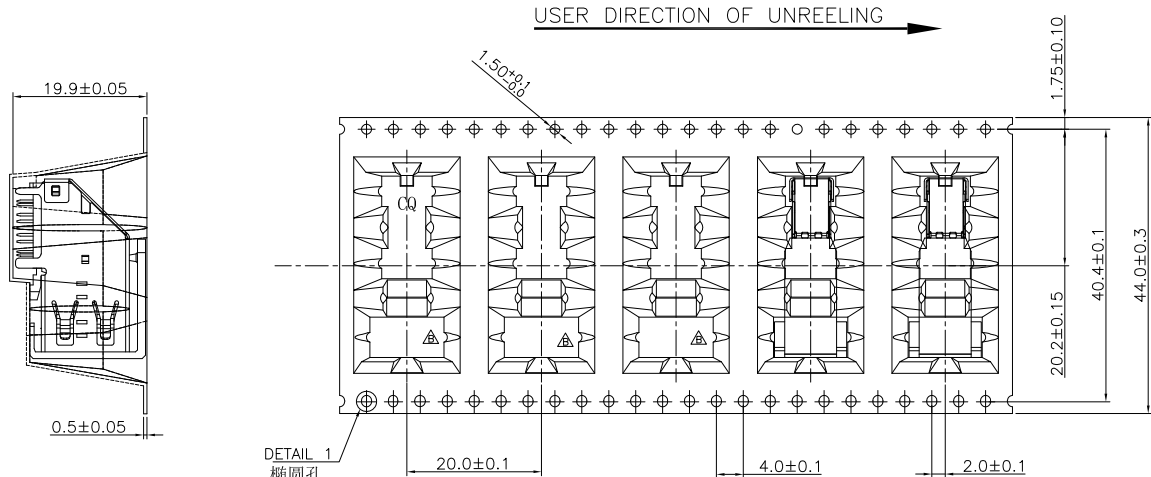
Pin Number	Signal Name	Pin Number	Signal Name
1	VBUS	5	SSRX-
2	D-	6	SSRX+
3	D+	7	GND
4	GND	8	SSTX-
Shell	Shield	9	SSRT+

PRODUCT SPECIFICATION: DOC.No: SP-Axxxx-xx	SCALE 1 : 1	DESIGN UNITS mm
TEST REPORT DOC.No: TR-Axxxx-xx	DRAWN Mei Chen	DATE 2016/06/22
GENERAL TOLERANCES (UNLESS SPECIFIED)	CHECKED	DATE
X.XXX ± 0.10	APPROVED	DATE
X.XX ± 0.25		
X.X ± 0.38		
ANGULAR ± 3°	DWG NO. SA0430-001	PART NO. SEE TABLE
THIRD ANGLE PROJECTION	DWG REV. E	SHEET NO. 1 OF 1

CHT 群匯科技股份有限公司
 CHIUN HUEI Technology CO., LTD.

TITLE
 USB 3.0 A TYPE FEMALE FLAG DIP R/A

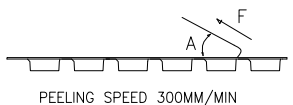
REVISION HISTORY			
REV	DESCRIPTION	Drawing	DATE
A	RELEASE	Sandy	2018/04/26
B	RELEASE	Mei Chen	2018/07/25



TABLE

PRODUCT P/N	PARTS PER SHIPPING CARTON	PARTS PER REEL	LOADED REEL PER SHIPPING CARTON
A0430-1003	1600	200	8
A0430-1001			
A0430-0003			
A0430-0001			

- 1. QUANTITY: 200 PCS PER REEL
- 2. COVER TAPE PEELING FORCE:



A	15° ~ 0°
F	0.1N ~ 1.3N

3. PART DIMENSIONS MEET EIA-481-D REQUIREMENT

PRODUCT SPECIFICATION: DDC.No: SP-Axxxx-xx	SCALE 1 : 1	DESIGN UNITS mm
TEST REPORT DDC.No: TR-Axxxx-xx	DRAWN Mei Chen	DATE 2017/08/18
GENERAL TOLERANCES (UNLESS SPECIFIED)	CHECKED	DATE
X.XXX ± 0.10	APPROVED	DATE
X.XX ± 0.25		
X.X ± 0.38		
ANGULAR ± 3		
THIRD ANGLE PROJECTION	DWG NO. PA0430-001	PART NO. SEE TABLE

CHT 群匯科技股份有限公司
CHIU HUEI Technology CO., LTD.

TITLE
USB 3.0 A TYPE FEMALE FLAG DIP R/A

DWG REV. B	SHEET NO. 1 OF 1
---------------	---------------------