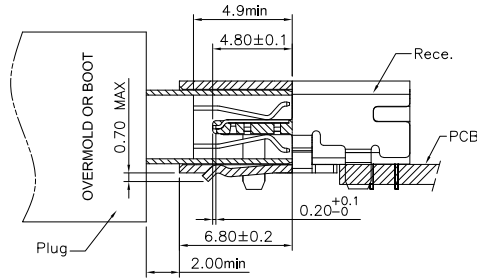
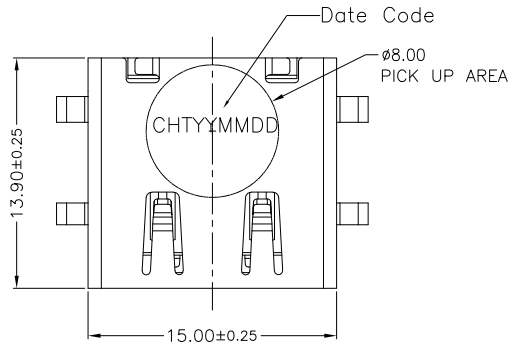
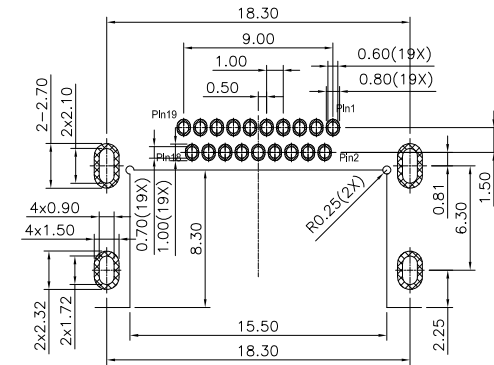


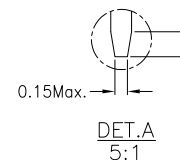
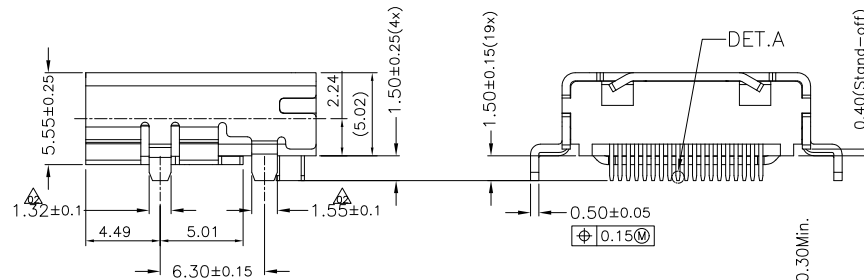
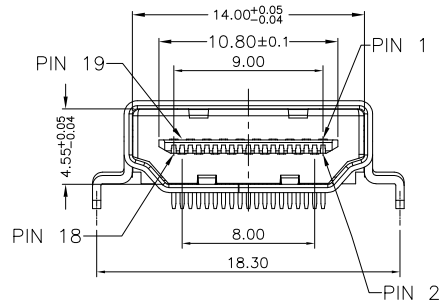
REVISION HISTORY			
REV	DESCRIPTION	Drawing	DATE
03	變更NOTE內容	Allen	2020/03/02



Mated Condition

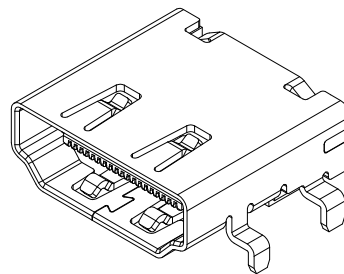
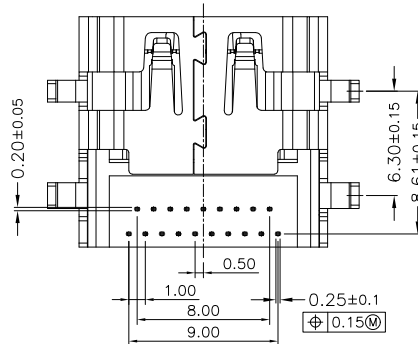


RECOMMENDED PCB LAYOUT (TOP VIEW)  
GENERAL TOLERANCES: ±0.03 (t=1.2)



NOTES:

- MATERIAL:
  - 1.1 PLASTIC: LCP, UL 94V-0, COLOR: BLACK
  - 1.2 CONTACT: C2680
  - 1.3 SHELL: METAL  $\Delta$
- FINISH:
  - 2.1 TERMINAL: 50 $\mu$ " MIN. NICKEL PLATED OVERALL
  - 2.2 CONTACT: SELECTIVE GOLD PLATED, SEE TABLE A
  - 2.3 TAIL: 100 $\mu$ " MATT-TIN PLATED
  - 2.4 SHELL: 50 $\mu$ " MIN. NICKEL PLATED OVERALL
- PRODUCT SPECIFICATION REFER TO SP-A0772-01
- PACKAGE DRAWING REFER TO PA0772-01
- PRODUCT MUST CONFORM TO RoHS AND HALOGEN FREE REQUIREMENT
- DATE CODE: XX (YEAR), XX (MONTH), XX (DATE), LASER



TABLE

FIH P/N	TABLE A GOLD PLATING THICKNESS
A0772-0003	Au 30 $\mu$ "
A0772-0001	G/F

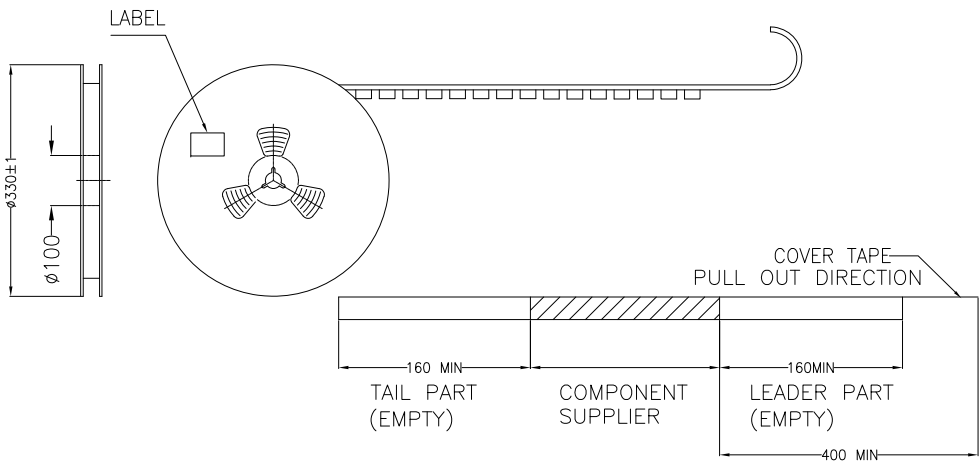
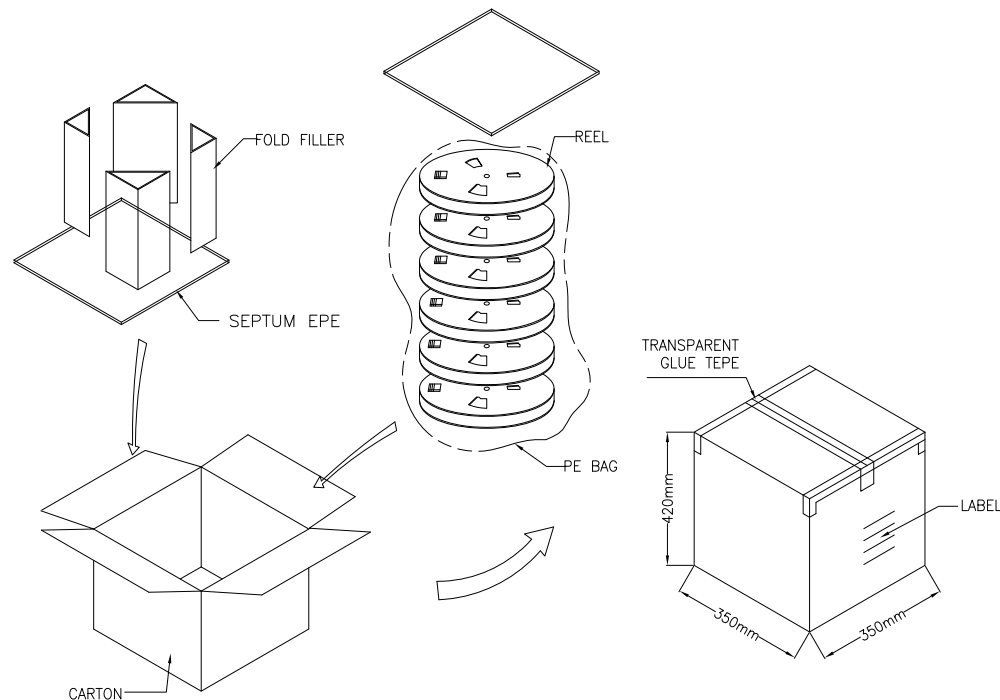
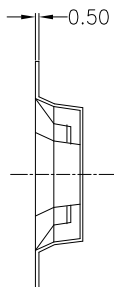
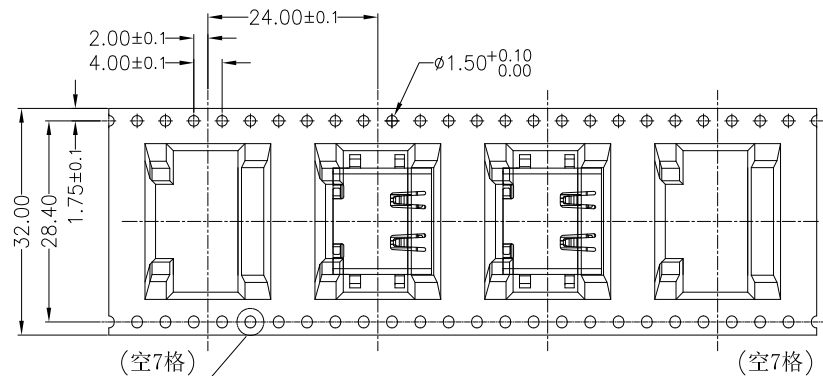
PRODUCT SPECIFICATION: DOC.No. SP-A0772-01	SCALE 1 : 1	DESIGN UNITS mm
TEST REPORT DOC.No. TR-A0772-01	DRAWN Linda	DATE 2019/10/29
GENERAL TOLERANCES (UNLESS SPECIFIED)	CHECKED Mei	DATE 2019/10/29
X.XXX ± 0.20	APPROVED TJ	DATE 2019/10/29
X.XX ± 0.20	DWG NO. SA0772-001	
X.X ± 0.25		
ANGULAR ± 3°		
THIRD ANGLE PROJECTION		

**CHT** 群匯科技股份有限公司  
CHIUN HUEI Technology CO., LTD.

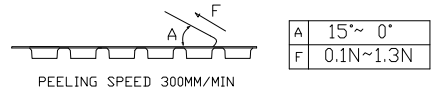
TITLE HDMI AF R/A DIP TYPE CH=2.24mm	PART NO. TABLE A	DWG REV. 03	SHEET NO. 1 OF 1
---	---------------------	----------------	---------------------

REVISION HISTORY			
REV	DESCRIPTION	Drawing	DATE
01	PROPOSAL	Allen	2020/03/02

PULL OUT DIRECTION



1. COVER TAPE PEELING FORCE:



2. PART DIMENSIONS MEET EIA-481-2-A REQUIREMENT

PRODUCT P/N	PARTS PER SHIPPING CARTON	PARTS PER REEL	LOADED REEL PER SHIPPING CARTON
<b>A0772-0003</b>	<b>3500</b>	<b>350</b>	<b>10</b>
<b>A0772-0001</b>			

PRODUCT SPECIFICATION: DOC.No: SP-Axxxx-001	SCALE 1 : 1	DESIGN UNITS mm
TEST REPORT DOC.No: TR-Axxxx-001	DRAWN Allen	DATE 20201/03/02
GENERAL TOLERANCES (UNLESS SPECIFIED)	CHECKED	DATE
X.XXX ± 0.20	APPROVED	DATE
X.XX ± 0.20		
X.X ± 0.25		
ANGULAR ± 3°		
THIRD ANGLE PROJECTION	DWG NO. PA0772-001	PART NO. SEE TABLE

<b>CHT</b> 群匯科技股份有限公司 CHIUN HUEI Technology CO., LTD.		
TITLE HDMI AF R/A DIP TYPE CH=2.24		
DWG REV. 01	SHEET NO. 1 OF 1	