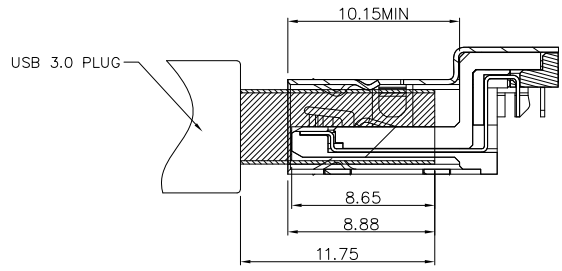
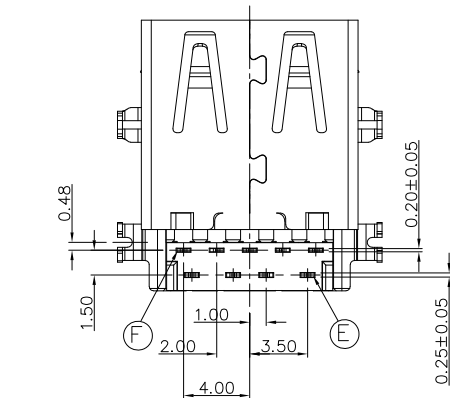
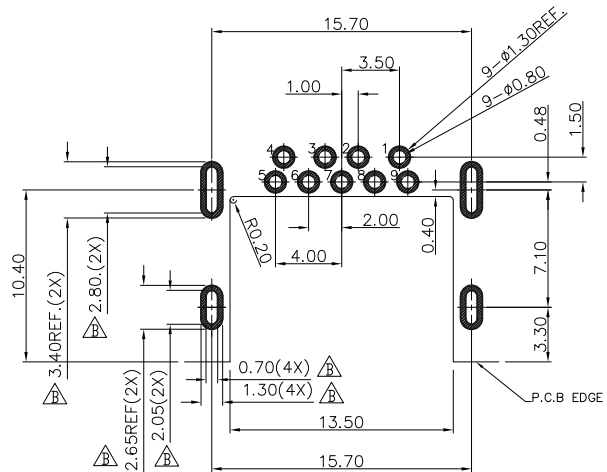
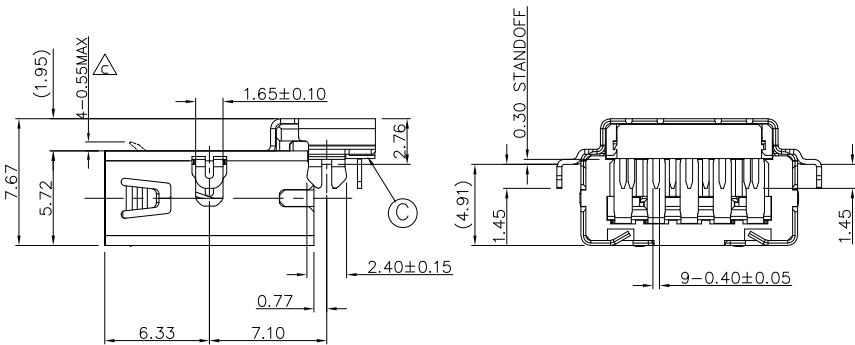
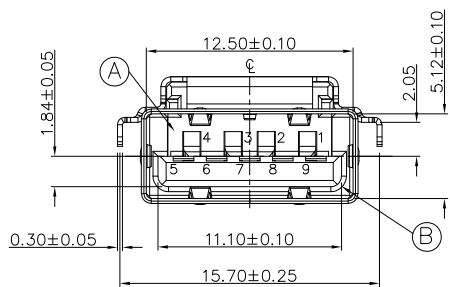
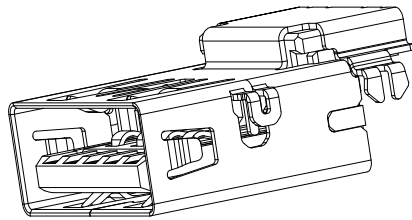
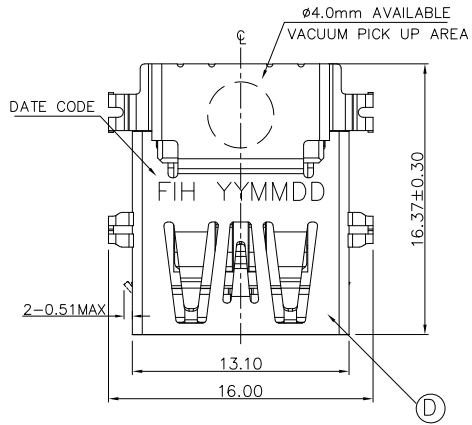


REVISION HISTORY			
REV	DESCRIPTION	Drawing	DATE
c	修改鐵殼彈片高度	Allen	2020/07/15

- NOTES: 1. MATERIAL: SEE TABLE  
 2. PLATING: SEE TABLE  
 3. RoHS + HF COMPLIANT PRODUCTS.  
 4. DATE CODE: YY(YEAR),MM(MONTH),DD(DATE)



NO.	DESCRIPTION	Q'TY	MATERIAL	REMARK
F	5 PIN TERMINAL	5	C2680	SELECTIVE GOLD PLATED, SEE TABLE A 100u * MIN MATT-TIN PLATED
E	4 PIN TERMINAL	4	C5210	50u * MIN. NICKEL PLATED OVERALL
D	SHELL	1	SK7	120u * MIN. NICKEL PLATED OVERALL
C	SPACER	1	LCP E130i	UL94 V-0, BLACK
B	5 PIN HOUSING	1	LCP E130i	UL94 V-0, BLACK
A	4 PIN HOUSING	1	LCP E130i	UL94 V-0, BLACK

FIH P/N	TABLE A GOLD PLATING THICKNESS
A0677-0004	Au2u"+30u"Pd/Ni
A0677-0003	Au30u
A0677-0001	G/F

PIN NO.	1	2	3	4	
SIGNAL NAME	VBUS	D-	D+	PGND	
REMARK	USB2.0 CONTACT PIN				
PIN NO.	5	6	7	8	9
SIGNAL NAME	SSRX-	SSRX+	GND	SSTX-	SSTX+
REMARK	USB3.0 CONTACT PIN				

PRODUCT SPECIFICATION: DOC.No: SP-AXXXX-001	SCALE 1:1	DESIGN UNITS mm
TEST REPORT DOC.No: TR-AXXXX-001	DRAWN Mei Chen	DATE 2014/10/21
GENERAL TOLERANCES (UNLESS SPECIFIED)	CHECKED	DATE
X.XXX ± 0.20	APPROVED	DATE
X.XX ± 0.20	DWG NO. SA0677-001	
X.X ± 0.25		
ANGULAR ± 3°		
THIRD ANGLE PROJECTION		

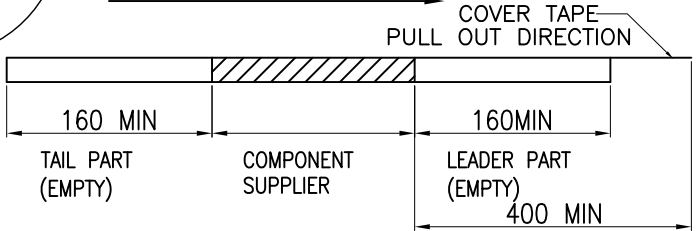
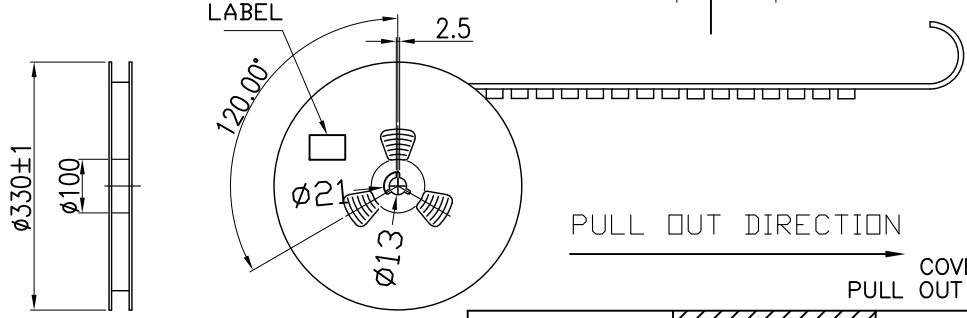
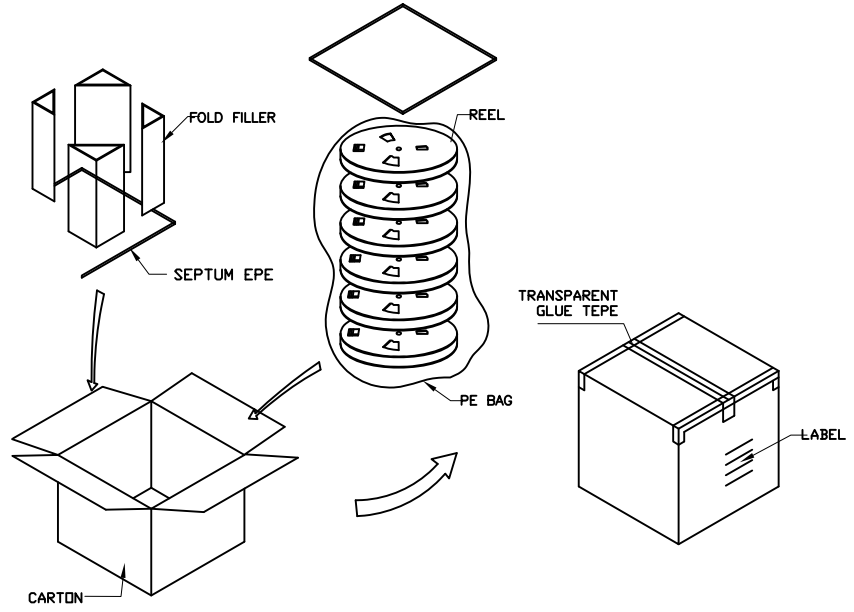
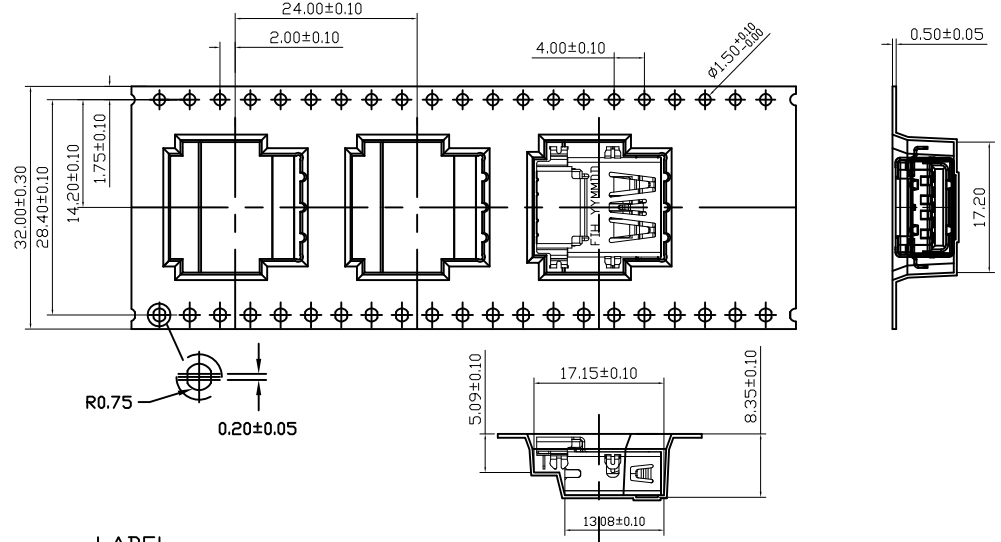
**FULLINHOPE Technology, LTD.**

TITLE: REVERSE SINK TYPE CH=2.05 USB3.0 CONNECTOR

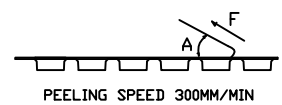
PART NO. SEE TABLE	DWG REV. C	SHEET NO. 1 OF 1
--------------------	------------	------------------

REVISION HISTORY			
REV	DESCRIPTION	Drawing	DATE
A	RELEASE	Mei Chen	2018/12/24

PULL OUT DIRECTION



1. COVER TAPE PEELING FORCE:



A	15°~ 0°
F	0.1N~1.3N

2. PART DIMENSIONS MEET EIA-481-2-A REQUIREMENT

TABLE

PRODUCT P/N	PARTS PER SHIPPING CARTON	PARTS PER REEL	LOADED REEL PER SHIPPING CARTON
A0677-0004	1500	250	6
A0677-0003			
A0677-0001			

PRODUCT SPECIFICATION: DOC.No. SP-Axxxx-001	SCALE 1 : 1	DESIGN UNITS mm	FULLINHOPE Technology, LTD.	
TEST REPORT DOC.No. TR-Axxxx-001	DRAWN Mei Chen	DATE 2018/12/24	TITLE REVERSE SINK TYPE CH=2.05 USB3.0 CONNECTOR	
GENERAL TOLERANCES (UNLESS SPECIFIED)	CHECKED	DATE		
X.XXX ± 0.20	APPROVED	DATE		
X.XX ± 0.20				
X.X ± 0.25				
ANGULAR ± 3°				
THIRD ANGLE PROJECTION	DWG NO. PA0677-001	PART NO. SEE TABLE	DWG REV. A	SHEET NO. 1 OF 1