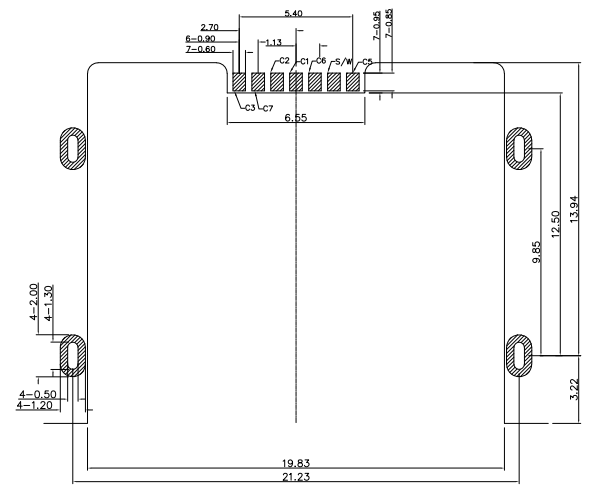
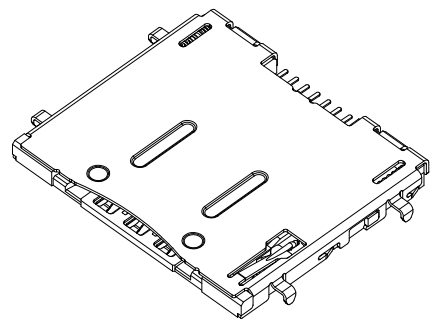
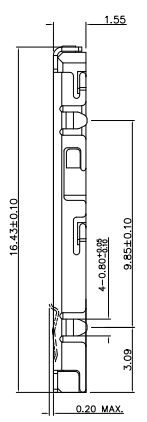
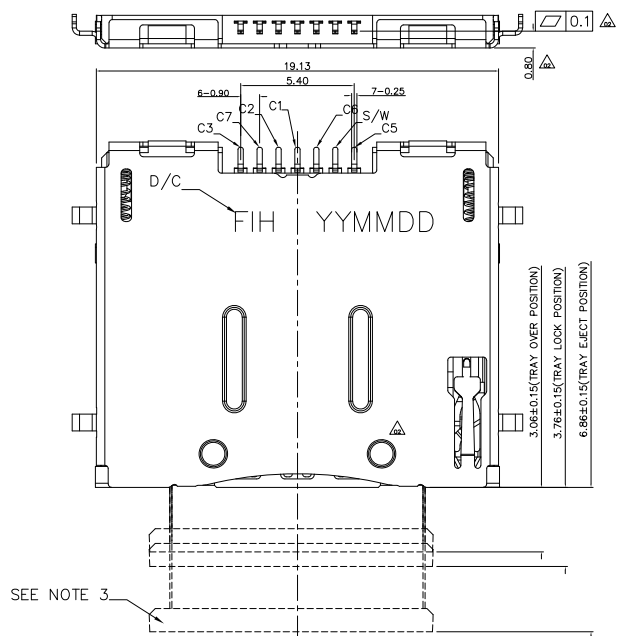
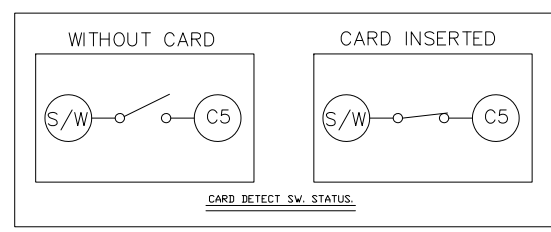
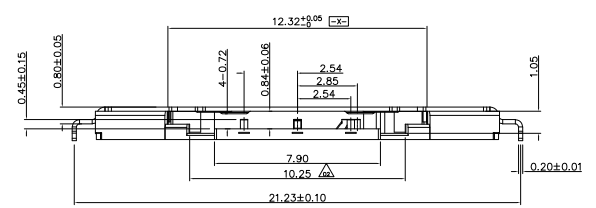


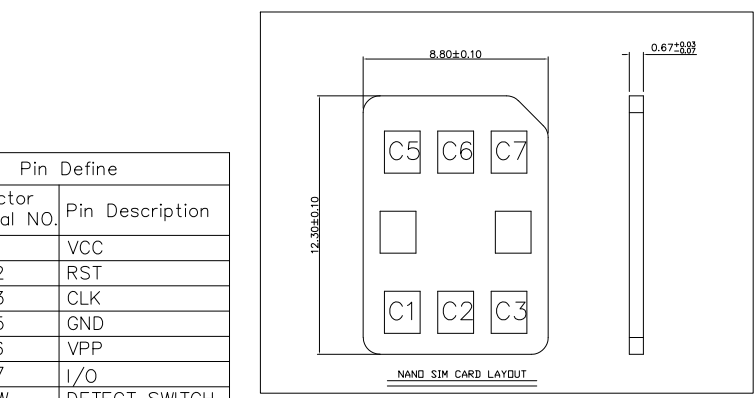
REVISION HISTORY			
REV	DESCRIPTION	Drawing	DATE
02	修改及增加尺寸標註	Allen	2020/12/21



RECOMENDED P.C.B LAYOUT(TOP VIEW)
(General Tolerance±0.05)



- NOTES:
- MATERIAL:
 - HOUSING: LCP BLACK , UL 94V-0
 - CONTACT: C5210
 - SHELL: SUS304
 - SPRING: SWPB
 - CRANK: SUS304
 - FINISH:
 - CONTACT: CONTACT AREA : G/F PLATING OVER Ni 50u" Min. SOLDERTAIL : MATTE TIN 100u"
 - SHELL: PLATED Ni 50u" Min.
 - SPRING: PLATED Ni 50u" Min.
 - USED WITH S0116-0001 NANO SIM TRAY



Pin Define	
Connector terminal NO.	Pin Description
C 1	VCC
C 2	RST
C 3	CLK
C 5	GND
C 6	VPP
C 7	I/O
S/W	DETECT SWITCH

PRODUCT SPECIFICATION: DOC.No: SP-AXXX-XX	SCALE 1 : 1	DESIGN UNITS mm	FULLINHOPE Technology, LTD.		
TEST REPORT DOC.No: TR-AXXX-XX	DRAWN Allen	DATE 2020/12/04			TITLE NANO SIM , SINK PUSH-PUSH TRAY, H1.55
GENERAL TOLERANCES (UNLESS SPECIFIED)	CHECKED	DATE	PART NO. A0858-0001		
X.XXX ± 0.20	APPROVED	DATE			DWG REV. 02
X.XX ± 0.20 X.X ± 0.25	ANGULAR ± 3°				SHEET NO. 1 OF 1
THIRD ANGLE PROJECTION	DWG NO. SA0858-001				