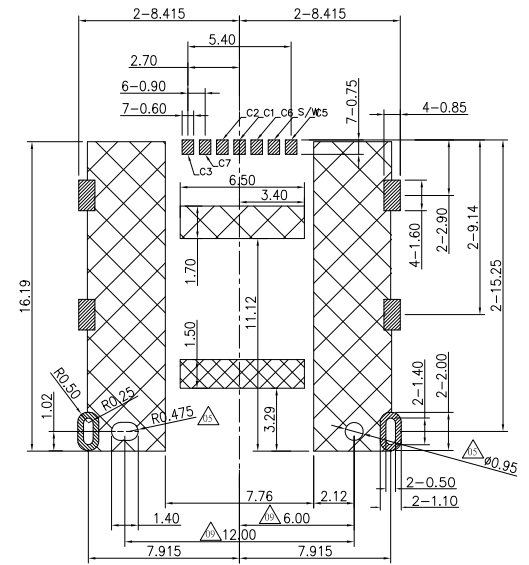
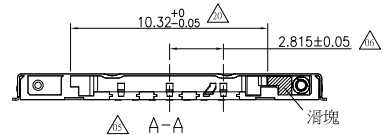
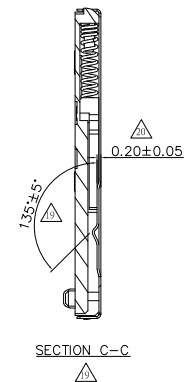
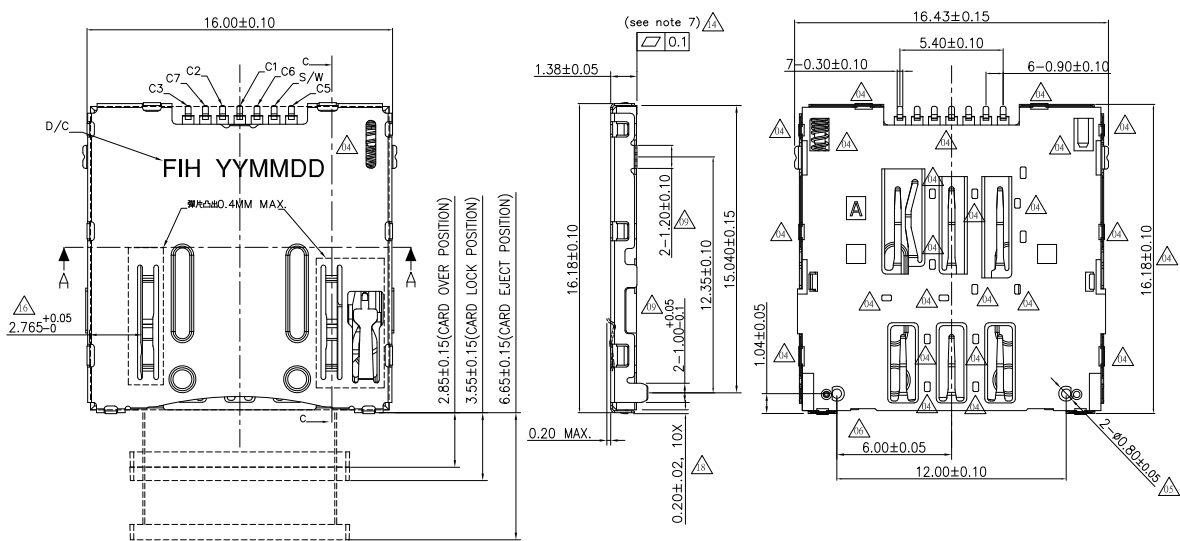


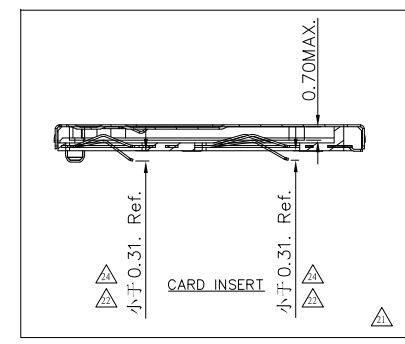
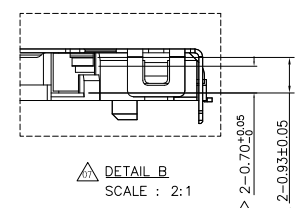
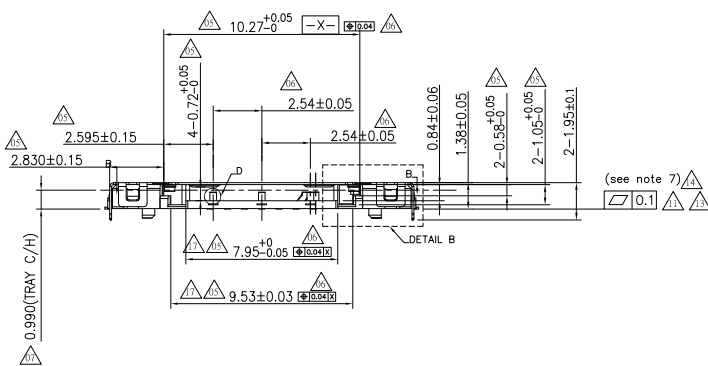
REVISION HISTORY		
REV	DESCRIPTION	DATE
24	修改尺寸標註方式	2021/07/29



RECOMENDED P.C.B LAYOUT(TOP VIEW)
(General Tolerance±0.05)

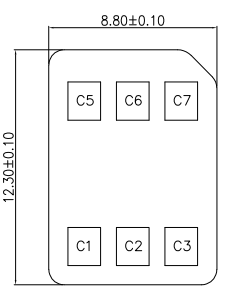
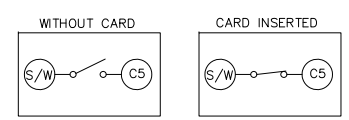
- PAD AREA
- NO TRACE,NO TEST POINT
NO VIA HOLE,NO GROUND AREA
- PATTERNS ONLY FOR GND

DETAIL D
SCALE : 4:1



- NOTES:
- MATERIAL:
 - 1.1 PLASTIC: LCP,UL94V-0, BLACK
 - 1.2 CONTACT: C5210
 - 1.3 SHELL: SUS304
 - 1.4 CRANK: SUS304
 - 1.5 SPRING: SWPB
 - FINISH:
 - 2.1 TERMINAL: 50u" MIN. NICKEL PLATED OVERALL
 - 2.2 CONTACT: GOLD FLASH
 - 2.3 TAIL: 120u" MATT-TIN PLATED
 - 2.4 SHELL: 50u" MIN. NICKEL PLATED OVERALL
 - PRODUCT SPECIFICATION REFER TO SP-A0635-01
 - PACKAGE DRAWING REFER TO PA0635-01
 - PRODUCT MUST CONFORM TO RoHS AND HALOGEN FREE REQUIREMENT
 - Tray Lock位置左右高低0.1mm max.
 - 總裝線, Y軸 IR 平面0.1 max.

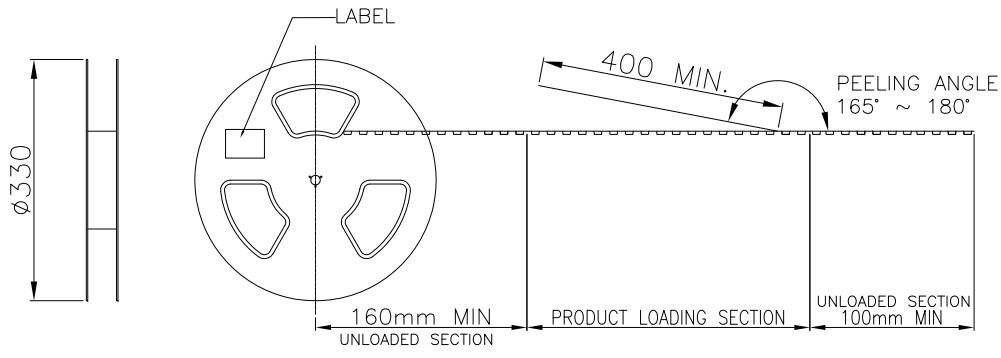
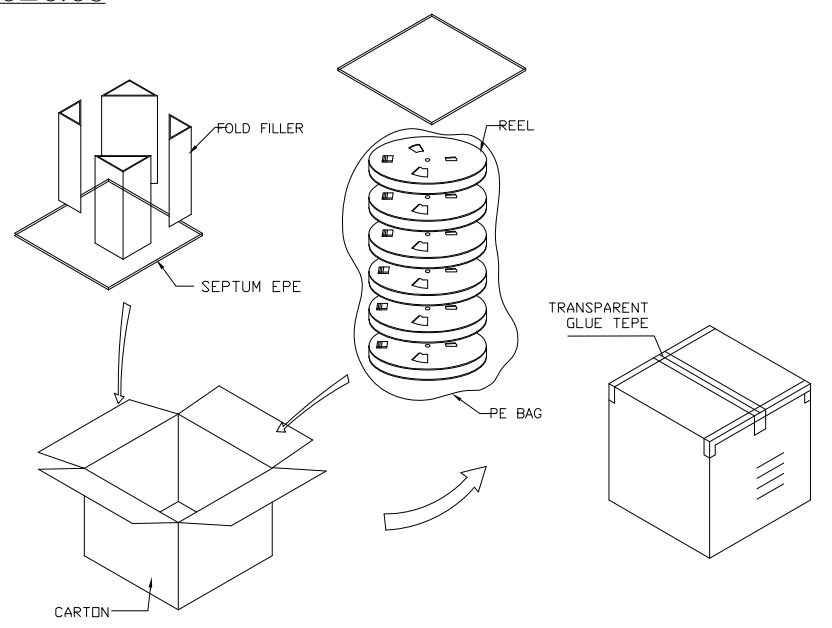
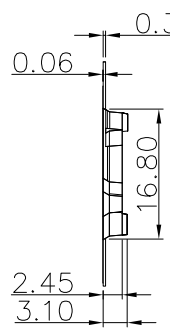
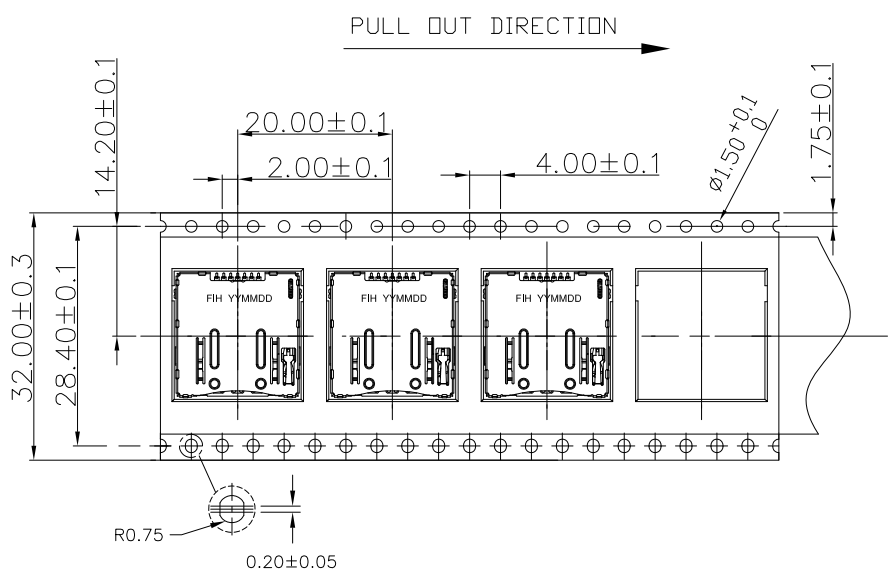
Pin Name	Description
C1	Vcc of SIM
C2	RST of SIM
C3	CLK of SIM
C5	GND of SIM
C6	Vpp of SIM
C7	I/O of SIM
SW	Detection Switch



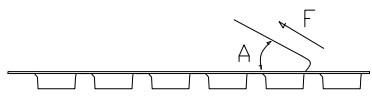
PRODUCT SPECIFICATION: DOC.No: SP-A0119-01	SCALE 1 : 1	DESIGN UNITS mm
TEST REPRT DOC.No: TR-A0289-01	DRAWN Mei Chen	DATE 2019/07/29
GENERAL TOLERANCES (UNLESS SPECIFIED)	CHECKED	DATE
X.XXX ± 0.20		
X.XX ± 0.20		
X.X ± 0.25	APPROVED	DATE
ANGULAR ± 3°		
THIRD ANGLE PROJECTION	DWG NO. SA0635-001	PART NO. A0635-0001

FULLINHOPE Technology, LTD.		
TITLE NANO SIM PP TYPE H 1.38MM		
PART NO. A0635-0001	DWG REV. 24	SHEET NO. 1 OF 1

REVISION HISTORY			
REV	DESCRIPTION	Drawing	DATE
02	PROPOSAL	Mei Chen	2019/08/14



1. QUANTITY: 1000PCS
2. COVER TAPE PEELING FORCE:



A	15° ~ 0°
F	0.1N ~ 1.3N

PEELING SPEED 300MM/MIN

3. PART DIMENSIONS MEET EIA-481-D REQUIREMENT

TABLE

PRODUCT P/N	PARTS PER SHIPPING CARTON	PARTS PER REEL (S.P.Q.)	TOTAL REELS PER SHIPPING CARTON
A0635-0001	8000(PCS)	1000(PCS)	8

PRODUCT SPECIFICATION: DOC.No: SP-Axxxx-001	SCALE 1 : 1	DESIGN UNITS mm	FULLINHOPE Technology, LTD.	
TEST REPORT DOC.No: TR-Axxxx-001	DRAWN Mei Chen	DATE 2019/07/27		
GENERAL TOLERANCES (UNLESS SPECIFIED)	CHECKED	DATE		
X.XXX ± 0.20	APPROVED	DATE		
X.XX ± 0.20				
X.X ± 0.25				
ANGULAR ± 3°				
THIRD ANGLE PROJECTION	DWG NO. PA0635-001	PART NO. A0635-0001	DWG REV. 02	SHEET NO. 1 OF 1