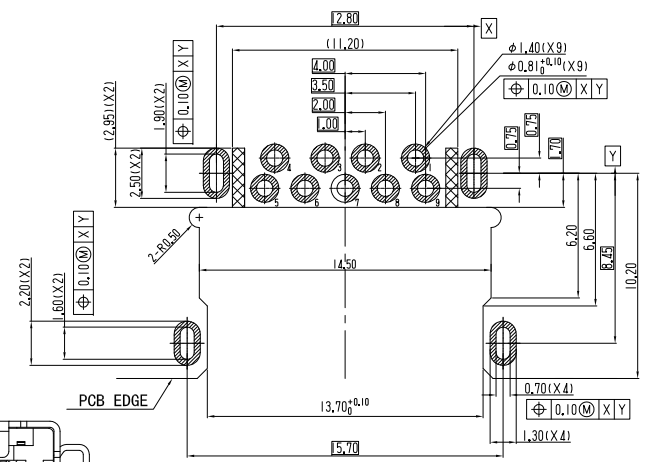
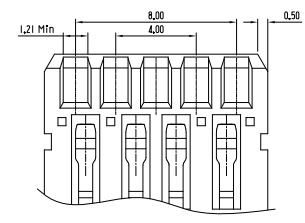
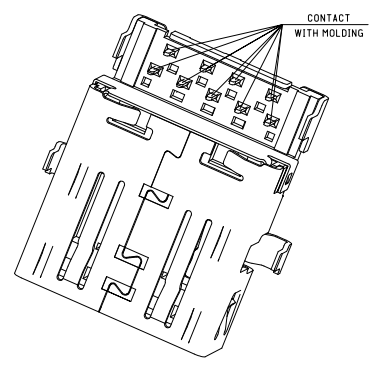
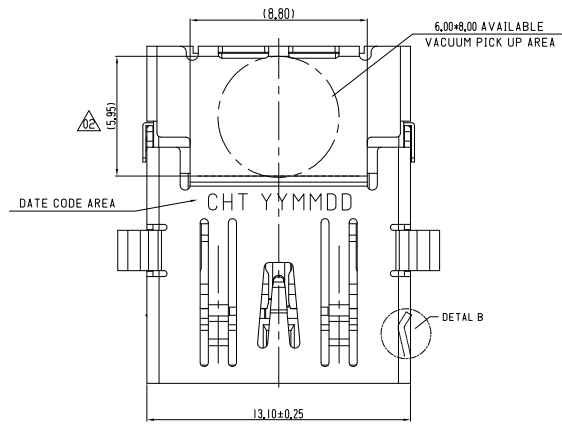
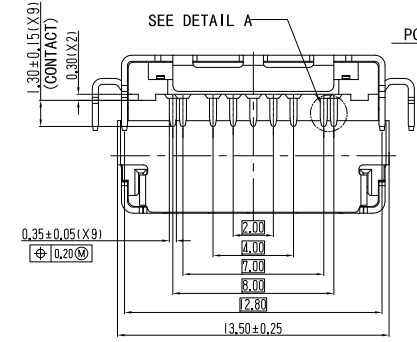
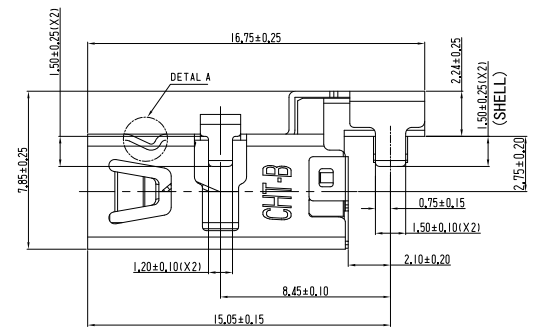
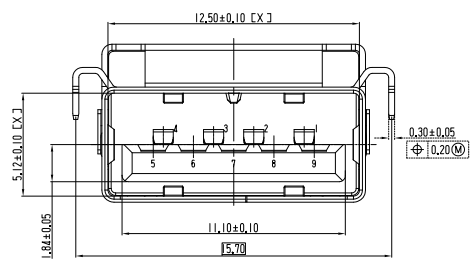


REVISION HISTORY			
REV	DESCRIPTION	Drawing	DATE
01	PROPOSAL	Mei Chen	2018/10/08
02	PROPOSAL	Mei Chen	2018/10/18
03	PROPOSAL	Mei Chen	2018/10/23

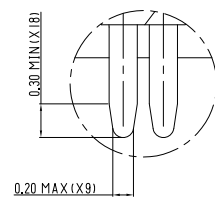
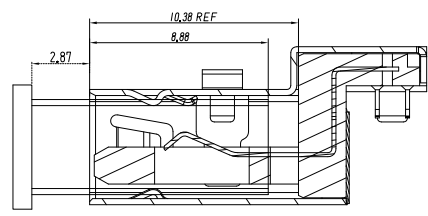
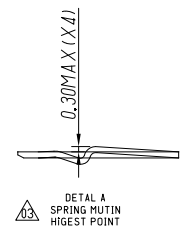
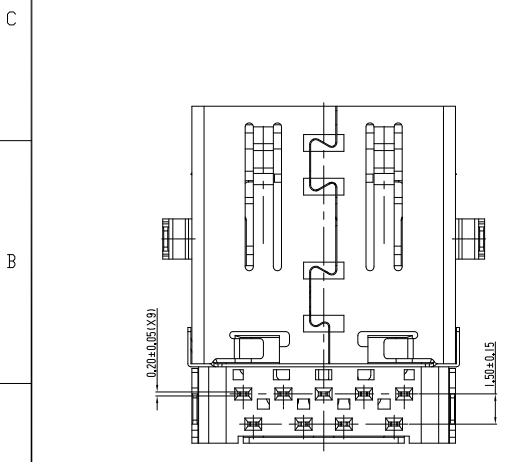


SCALE 1:1
REFERENCE PCB LAYOUT
TOLERANCE: ±0.05MM



SEE DETAIL A

PCB EDGE



DETAIL A
SCALE 4:1

- NOTE:
- MATERIAL:
 - INSULATOR: HIGH TEMPERATURE THERMOPLASTIC, UL94V-0, COLOR: BLACK
 - CONTACT: COPPER ALLOY.
 - COVER: STAINLESS.
 - SHELL: METAL.
 - FINISH:
 - TERMINAL: 40u" MIN. NICKEL PLATED OVERALL
 - CONTACT: SELECTIVE GOLD PLATED, SEE TABLE A
 - TAIL: 100u" MIN MATT-TIN PLATED
 - SHELL: 40u" MIN. NICKEL PLATED OVERALL
 - PRODUCT SPECIFICATION REFER TO SP-A0645-01
 - PACKAGE DRAWING REFER TO PA0645-01
 - PRODUCT MUST CONFORM TO RoHS AND HALOGEN FREE REQUIREMENT

PIN	SIGNAL NAME	PRODUCT SPECIFICATION: DOC.No: SP-AXXXX-XX	SCALE	DESIGN UNITS
1	VBUS	TEST REPORT	1:1	mm
2	D-	DOC.No: TR-AXXXX-XX	Drawn	DATE
3	D+	GENERAL TOLERANCES (UNLESS SPECIFIED)	Mei Chen	2018/09/17
4	GND		CHECKED	DATE
5	StdA_SSRX-	X.XXX ± 0.10	APPROVED	DATE
6	StdA_SSRX+	X.XX ± 0.25		
7	GND_DRAIN	X.X ± 0.38		
8	StdA_SSTX-	ANGULAR ± 3°	DWG NO.	
9	StdA_SSTX+	THIRD ANGLE PROJECTION	SA0645-001	
SHELL	SHIELD			

TABLE

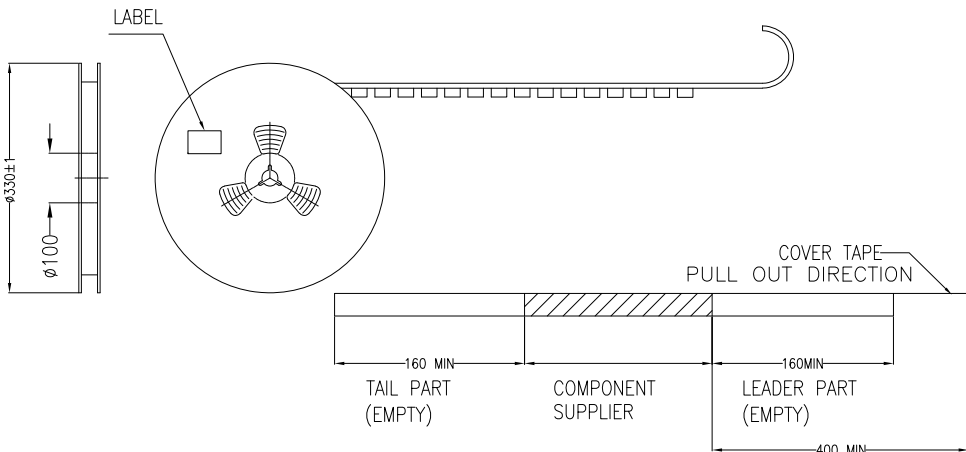
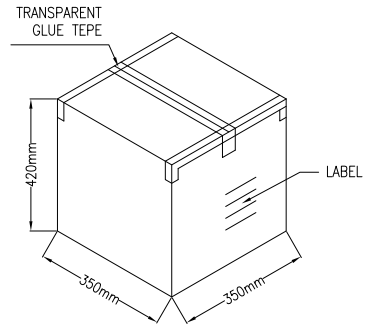
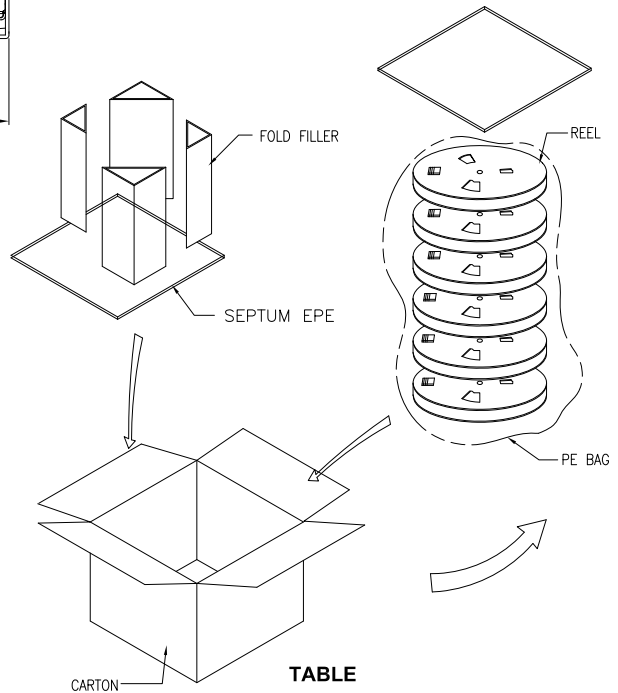
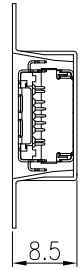
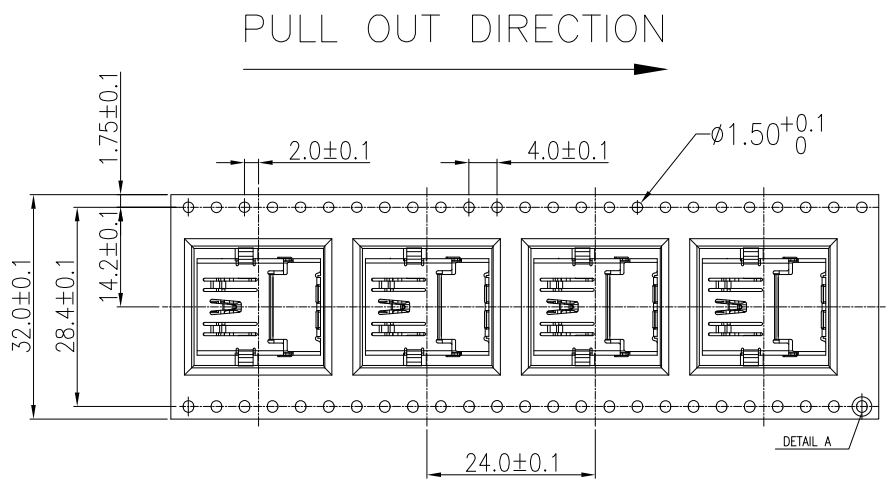
FIH P/N	TABLE A GOLD PLATING THICKNESS
A0645-0003	Au30u
A0645-0001	G/F

CHT 群匯科技股份有限公司
CHIUN HUEI Technology CO., LTD.

TITLE
USB3.0 Rece. A Type 90° DIP Type
CH=2.75MM

PART NO. TABLE A	DWG REV. 03	SHEET NO. 1 OF 1
---------------------	----------------	---------------------

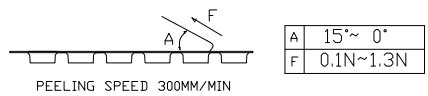
REVISION HISTORY			
REV	DESCRIPTION	Drawing	DATE
01	PROPOSAL	Mei Chen	2018/09/27
02	PROPOSAL	Mei Chen	2019/02/21



TABLE

PRODUCT P/N	PARTS PER SHIPPING CARTON	PARTS PER REEL	LOADED REEL PER SHIPPING CARTON
A0645-0003	2800	350	8
A0645-0001			

1.COVER TAPE PEELING FORCE:



2.PART DIMENSIONS MEET EIA-481-2-A REQUIREMENT

PRODUCT SPECIFICATION: DOS.No. SP-Axxxx-001	SCALE 1 : 1	DESIGN UNITS mm
TEST REPORT DOC.No. TR-Axxxx-001	DRAWN Mei Chen	DATE 2018/09/27
GENERAL TOLERANCES (UNLESS SPECIFIED)	CHECKED	DATE
X.XXX ± 0.20	APPROVED	DATE
X.XX ± 0.20		
X.X ± 0.25		
ANGULAR ± 3°		
THIRD ANGLE PROJECTION	DWG NO. PA0645-001	PART NO. SEE TABLE

CHT 群匯科技股份有限公司
CHIUN HUEI Technology CO., LTD.

TITLE
USB3.0 Rece. A Type 90° DIP Type
CH=2.75MM

DWG REV. 02	SHEET NO. 1 OF 1
----------------	---------------------