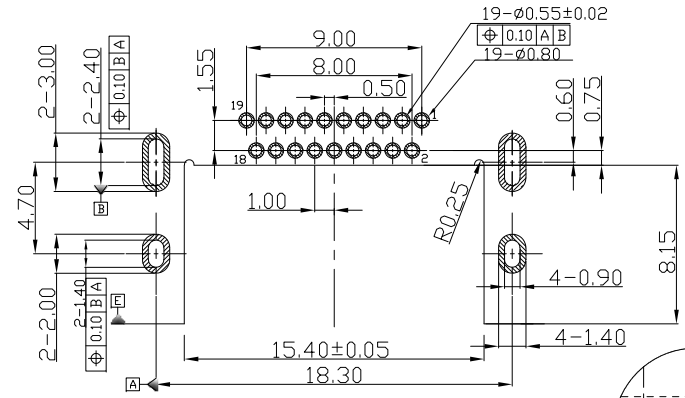
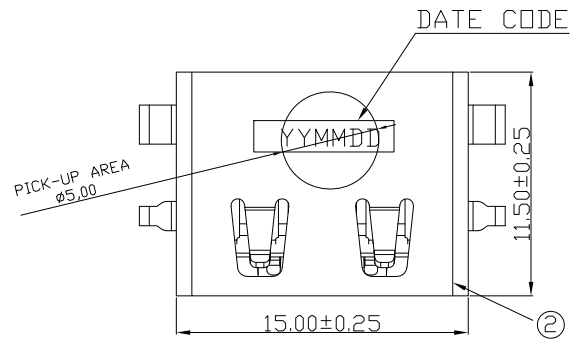
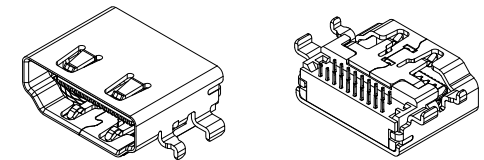


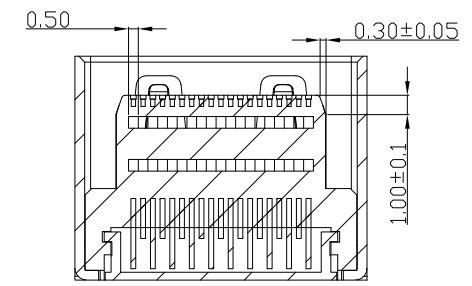
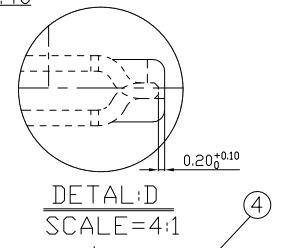
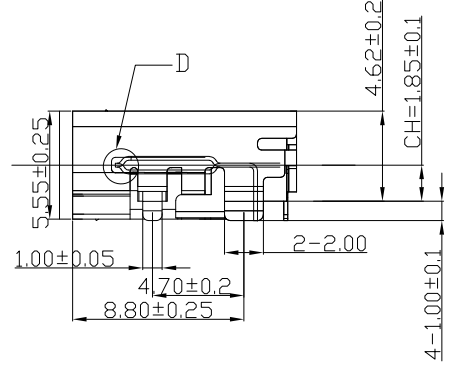
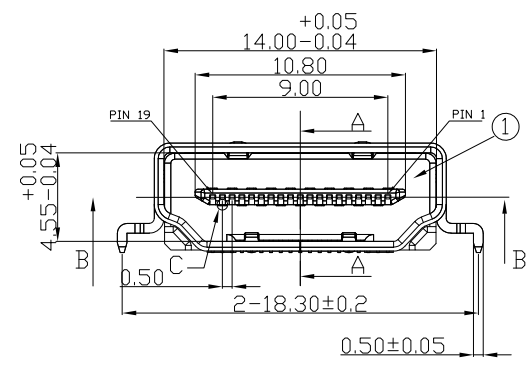
REVISION HISTORY			
REV	DESCRIPTION	Drawing	DATE
01	PROPOSAL	Allen	2022/01/19



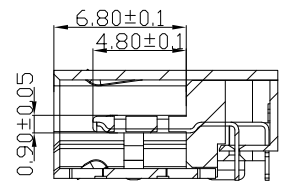
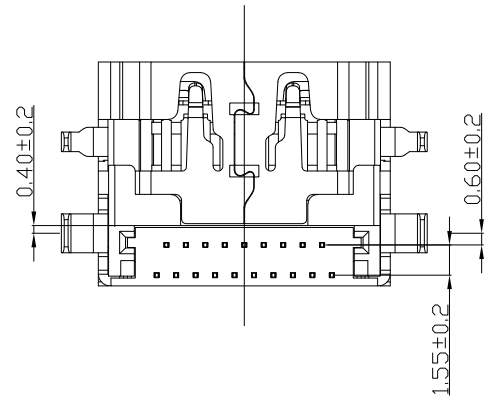
PCB LAYOUT
 (THICKNESS=1.0±0.05mm)
 (TOLERANCE: ±0.05mm)



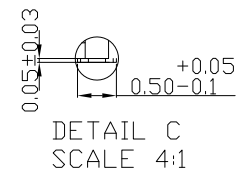
3D VIEW



SECTION B-B
 SCALE 1:1



SECTION A-A
 SCALE 1:1



DETAIL C
 SCALE 4:1

ITEM	PART	Q'TY	MATERIAL	COLOR/PLATED/NOTE
4	COVER	1	LCP E130I	UL94 V-0,COLOR:BLACK
3	CONTACT	19	C2680	GOLD (SEE TABLE) ON CONTACT AREA, MATTE-TIN 80u" Min ON SOLDER AREA, 50u" Min NICKEL PLATING OVERALL.
2	SHELL	1	SUS304	50u"Min NICKEL PLATING OVERALL.
1	HOUSING	1	LCP E130I	UL94 V-0,COLOR:BLACK

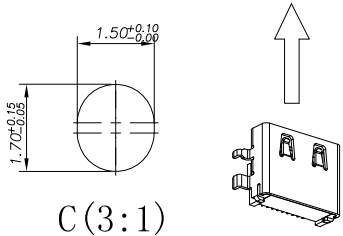
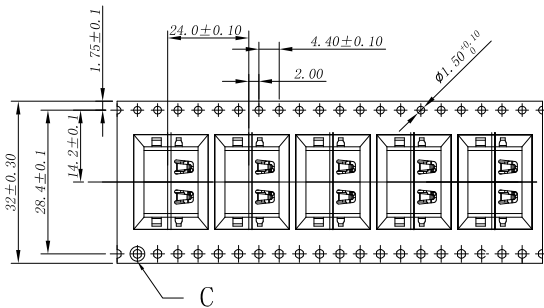
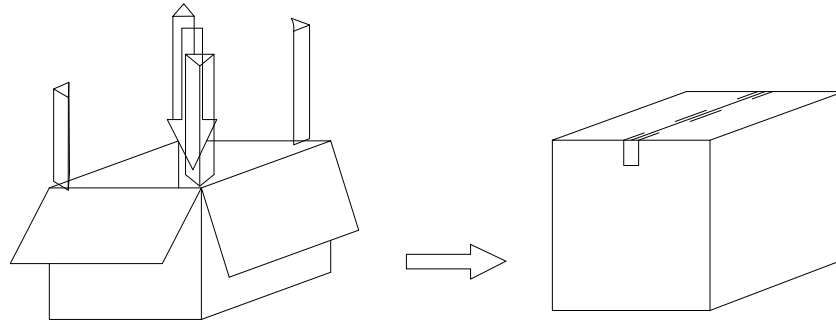
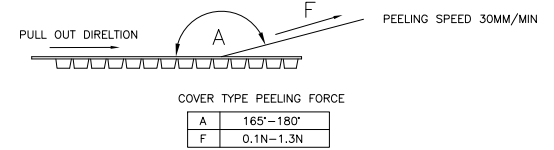
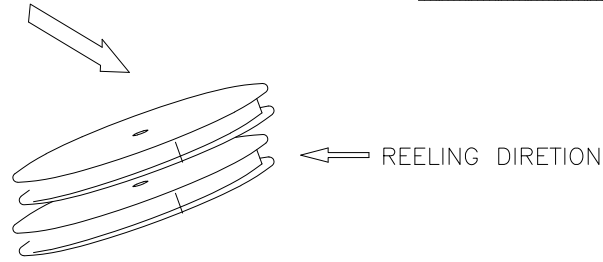
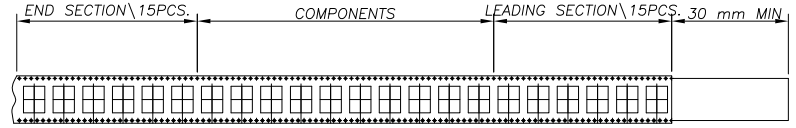
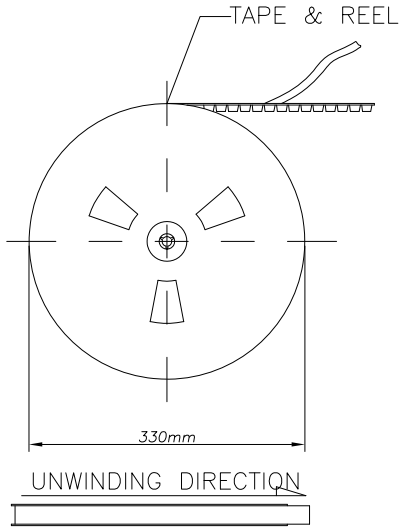
PRODUCT SPECIFICATION: DOC.No: SP-AXXX-XX	SCALE 1 : 1	DESIGN UNITS mm
TEST REPORT DOC.No: TR-AXXX-XX	DRAWN Allen	DATE 2022/01/19
GENERAL TOLERANCES (UNLESS SPECIFIED)	CHECKED	DATE
X.XXX ± 0.20	APPROVED	DATE
X.XX ± 0.20	DWG NO. SA0911-001	PART NO. SEE TABLE
X.X ± 0.30	THIRD ANGLE PROJECTION	DWG REV. 01
ANGULAR ± 3°		SHEET NO. 1 OF 1

FULLINHOPE Technology, LTD.

HDMI A TYPE RECEPTACLE
 SINK CH= 1.85 mm

FIH P/N	TABLE A GOLD PLATING THICKNESS
A0911-0005	Au 5u"
A0911-0003	Au 30u"
A0911-0001	G/F

REVISION HISTORY			
REV	DESCRIPTION	Drawing	DATE
01	PROPOSAL	Allen	2022/01/19



PRODUCT P/N	PARTS PER SHIPPING CARTON	PARTS PER REEL	LOADED REEL PER SHIPPING CARTON	
A0911-0005	2800	350	8	
A0911-0003				
A0911-0001				
PRODUCT SPECIFICATION: DOC.No: SP-AXXXX-001 TEST REPORT DOC.No: TR-AXXXX-001		SCALE 1 : 1	DESIGN UNITS mm	FULLINHOPE Technology, LTD. HDMI A TYPE RECEPTACLE SINK CH= 1.85 mm
GENERAL TOLERANCES (UNLESS SPECIFIED)		DRAWN Allen	DATE 2022/01/19	
X.XXX	± 0.20	CHECKED	DATE	
X.XX	± 0.20	APPROVED	DATE	
X.X	± 0.25			
ANGULAR ± 3°		THIRD ANGLE PROJECTION		
DWG NO. PA0911-001		PART NO. SEE TABLE		DWG REV. 01
				SHEET NO. 1 OF 1