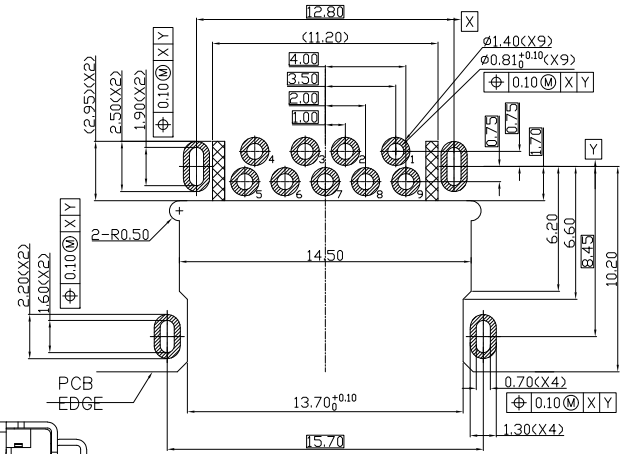
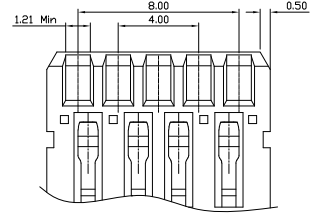
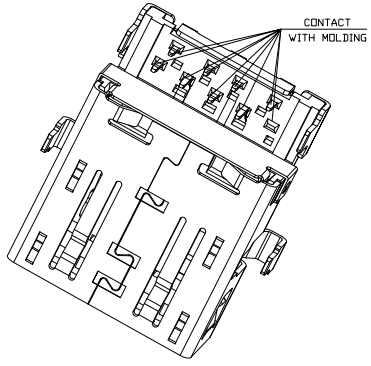
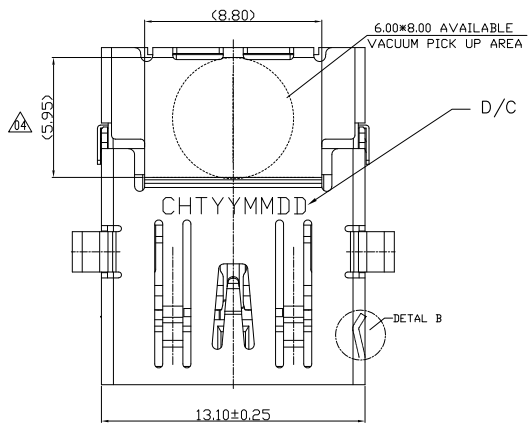
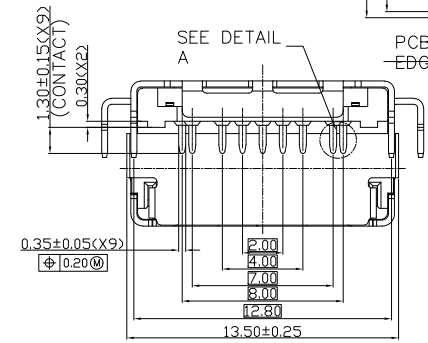
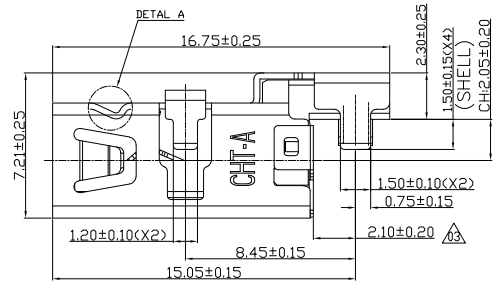
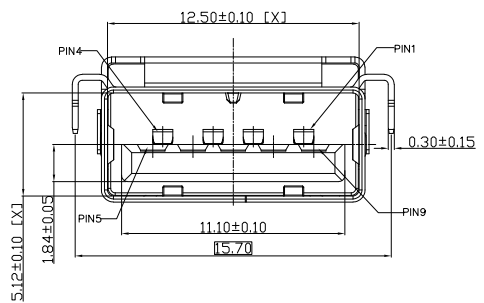


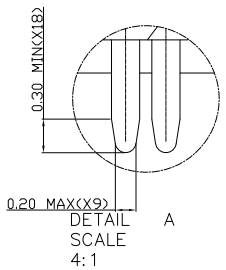
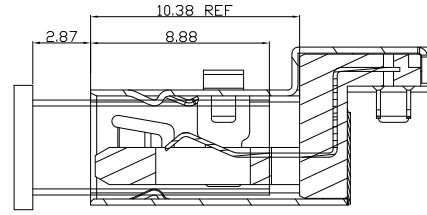
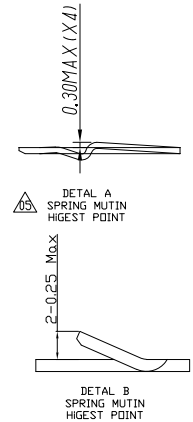
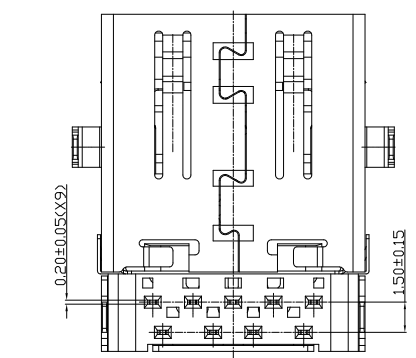
REVISION HISTORY			
REV	DESCRIPTION	Drawing	DATE
06	增加料號	Allen	2020/01/13



SCALE 1:1
REFERENCE PCB LAYOUT
TOLERANCE: ±0.05MM



SEE DETAIL A



- NOTE:
- MATERIAL:
 - INSULATOR: HIGH TEMPERATURE THERMOPLASTIC, UL94V-0, COLOR:BLACK
 - CONTACT: COPPER ALLOY.
 - COVER: STAINLESS.
 - PACKAGE: METAL.
 - FINISH:
 - TERMINAL: 40u" MIN. NICKEL PLATED OVERALL
 - CONTACT: SELECTIVE GOLD PLATED, SEE TABLE A
 - TAIL: 100u" MIN MATT-TIN PLATED
 - SHELL: 40u" MIN. NICKEL PLATED OVERALL
 - PRODUCT SPECIFICATION REFER TO SP-A0642-01
 - PACKAGE DRAWING REFER TO PA0642-01
 - PRODUCT MUST CONFORM TO RoHS AND HALOGEN FREE REQUIREMENT

PIN	SIGNAL NAME
1	VBUS
2	D-
3	D+
4	GND
5	StdA_SSRX-
6	StdA_SSRX+
7	GND_DRAIN
8	StdA_SSTX-
9	StdA_SSTX+
SHELL	SHIELD

PRODUCT SPECIFICATION: DOC.No: SP-A0642-01	SCALE 1:1	DESIGN UNITS mm
TEST REPRT DOC.No: TR-A0642-01	Drawn Mei Chen	DATE 2018/09/17
GENERAL TOLERANCES (UNLESS SPECIFIED)	CHECKED	DATE
ANGULAR ± 3°	APPROVED	DATE
THIRD ANGLE PROJECTION	DWG NO. SA0642-001	

TABLE

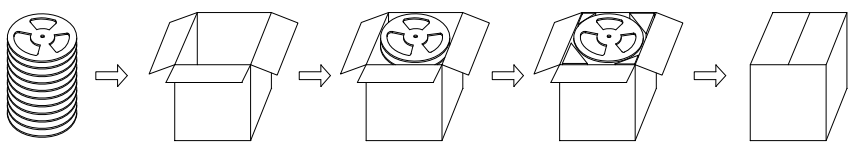
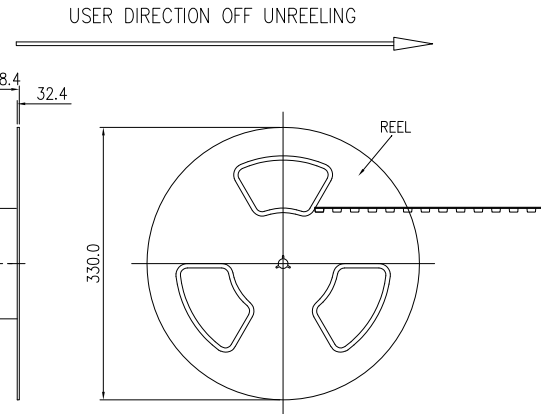
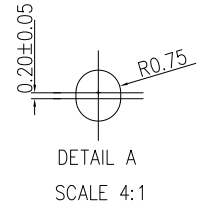
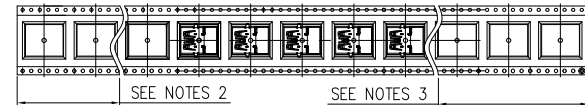
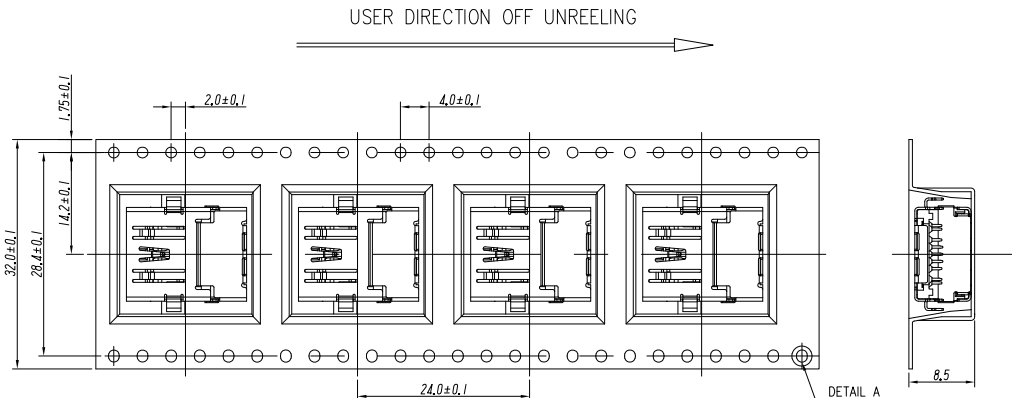
FIH P/N	TABLE A GOLD PLATING THICKNESS
A0642-0003	Au30u
A0642-0001	G/F
A0642-3003	GOLD PLATED 30u* 專用

CHT 群匯科技股份有限公司
CHIUN HUEI Technology CO., LTD.

TITLE
USB3.0 Rece. A Type 90° DIP Type
CH=2.05MM

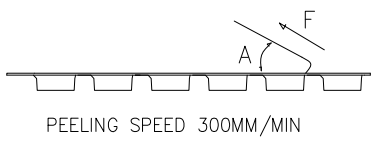
PART NO. TABLE A	DWG REV. 06	SHEET NO. 1 OF 1
------------------	-------------	------------------

REVISION HISTORY			
REV	DESCRIPTION	Drawing	DATE
01	PROPOSAL	Mei Chen	2018/09/21



PACKAGING PROCESS

1. QUANTITY: 350 PCS
2. COVER TAPE PEELING FORCE:



A	15° ~ 0°
F	0.1N ~ 1.3N

PEELING SPEED 300MM/MIN

3. PART DIMENSIONS MEET EIA-481-D REQUIREMENT

TABLE

PRODUCT P/N	PARTS PER SHIPPING CARTON	PARTS PER REEL (S.P.Q.)	TOTAL REELS PER SHIPPING CARTON	
A0642-0003	2800(PCS)	350(PCS)	8	
A0642-0001				
PRODUCT SPECIFICATION: DOC.No: SP-AXXXX-XX	SCALE 1 : 1	DESIGN UNITS mm	CHT 群匯科技股份有限公司 CHIUN HUEI Technology CO., LTD.	
TEST REPORT DOC.No: TR-AXXXX-XX	DRAWN Mei Chen	DATE 2018/09/21		
GENERAL TOLERANCES (UNLESS SPECIFIED)	CHECKED	DATE		
X.XXX ± 0.10	APPROVED	DATE		
X.XX ± 0.25				
X.X ± 0.38			TITLE USB3.0 Rece. A Type 90° DIP Type CH=2.05MM	
ANGULAR ± 3°				
THIRD ANGLE PROJECTION	DWG NO. PA0642-001	PART NO. SEE TABLE	DWG REV. 01	SHEET NO. 1 OF 1