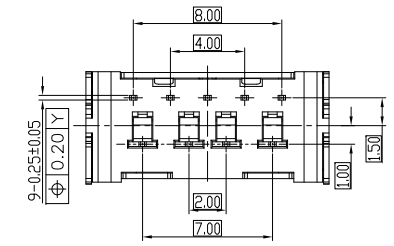
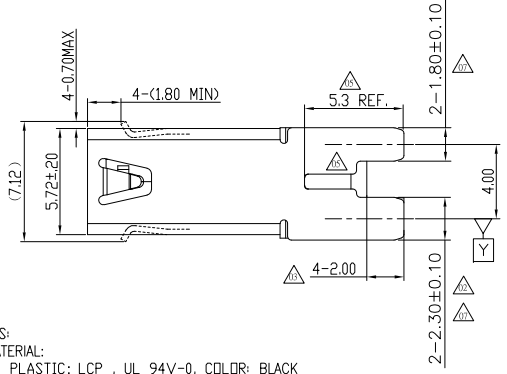
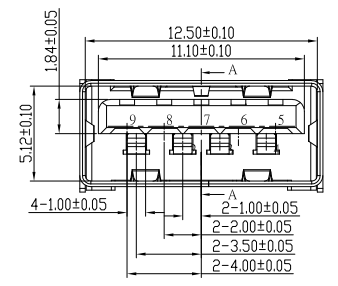
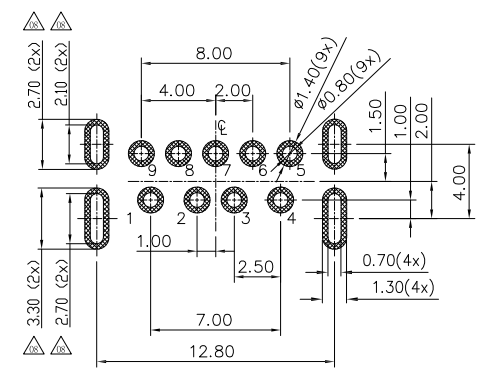
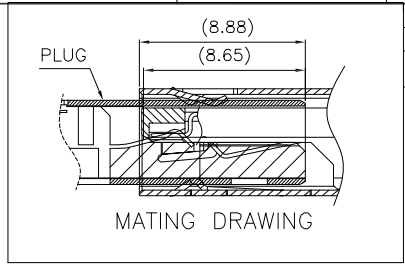
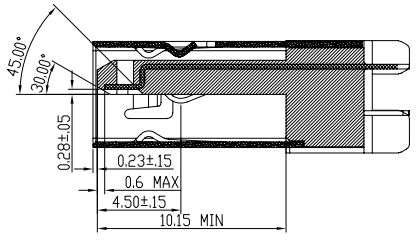
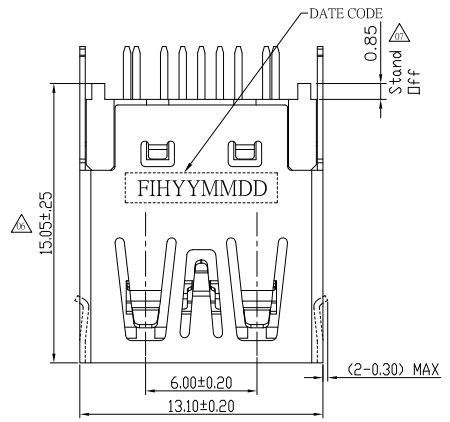
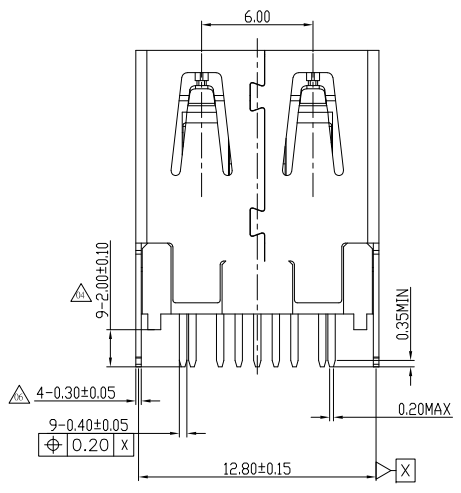
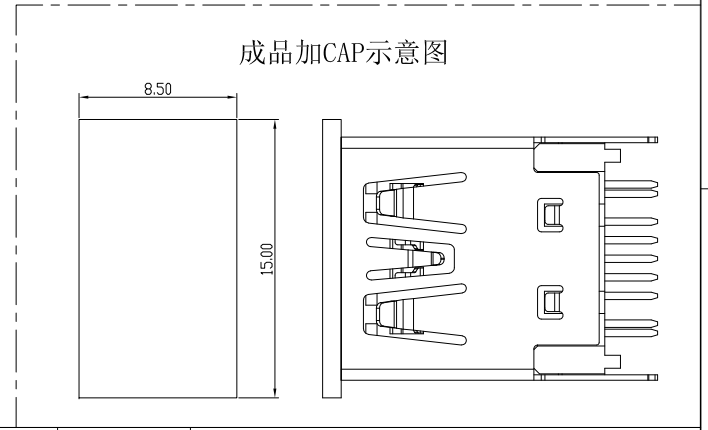
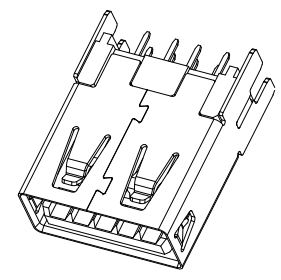


REVISION HISTORY			
REV	DESCRIPTION	Drawing	DATE
08	修改PCB尺寸	Allen	2020/06/04



- NOTES:
- MATERIAL:
    - 1.1 PLASTIC: LCP , UL 94V-0, COLOR: BLACK
    - 1.2 CONTACT: C5191
    - 1.3 SHELL: SUS301
  - FINISH:
    - 2.1 TERMINAL: 50μ" MIN. NICKEL PLATED OVERALL
    - 2.2 CONTACT: SELECTIVE GOLD PLATED, SEE TABLE A
    - 2.3 TAIL: 100μ" MATT-TIN PLATED
    - 2.4 SHELL: 50μ" MIN. NICKEL PLATED OVERALL
  - PRODUCT SPECIFICATION REFER TO SP-A0750-01
  - PACKAGE DRAWING REFER TO PA0750-001
  - PRODUCT MUST CONFORM TO ROHS AND HALOGEN FREE REQUIREMENT
  - DATE CODE: XX (YEAR), XX (MONTH) ,XX (DATE)



Contact Number	Signal Name
PIN1	VBUS
PIN2	D-
PIN3	D+
PIN4	GND
PIN5	StdA_SSRX-
PIN6	StdA_SSRX+
PIN7	GND_DRAIN
PIN8	StdA_SSTX-
PIN9	StdA_SSTX+
Shell	Shield

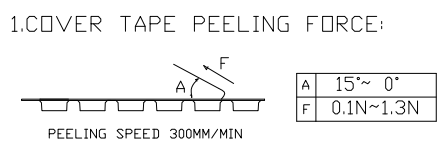
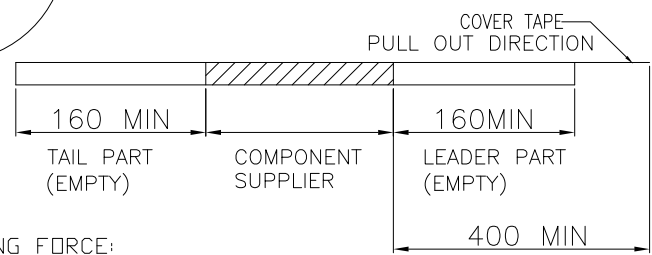
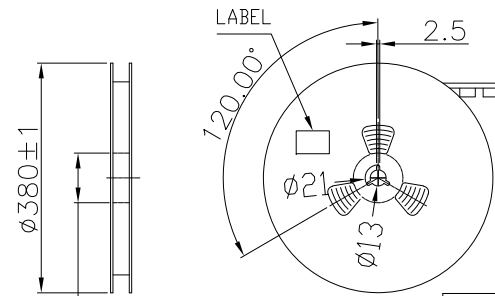
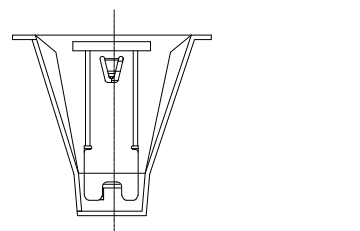
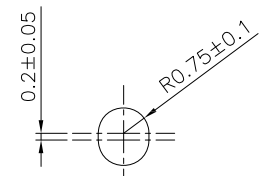
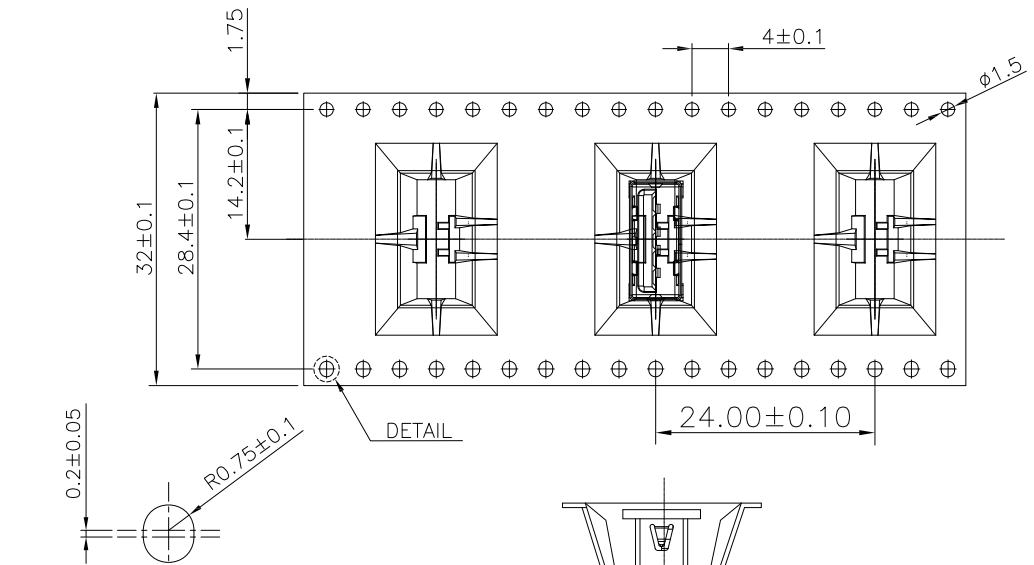
PRODUCT SPECIFICATION: DOC.No: SP-Axxxx-001	SCALE 1 : 1	DESIGN UNITS mm
TEST REPORT DOC.No: TR-Axxxx-001	DRAWN Mei Chen	DATE 2019/08/15
GENERAL TOLERANCES (UNLESS SPECIFIED)	CHECKED	DATE
X.XXX ± 0.20		
X.XX ± 0.20	APPROVED	DATE
X.X ± 0.25		
ANGULAR ± 3°		
THIRD ANGLE PROJECTION	DWG NO. SA0750-001	

FULLINHOPE Technology, LTD.		
TITLE USB3.1 AF S/T DIP TYPE H=15.05		
PART NO. TABLE A	DWG REV. 08	SHEET NO. 1 OF 1

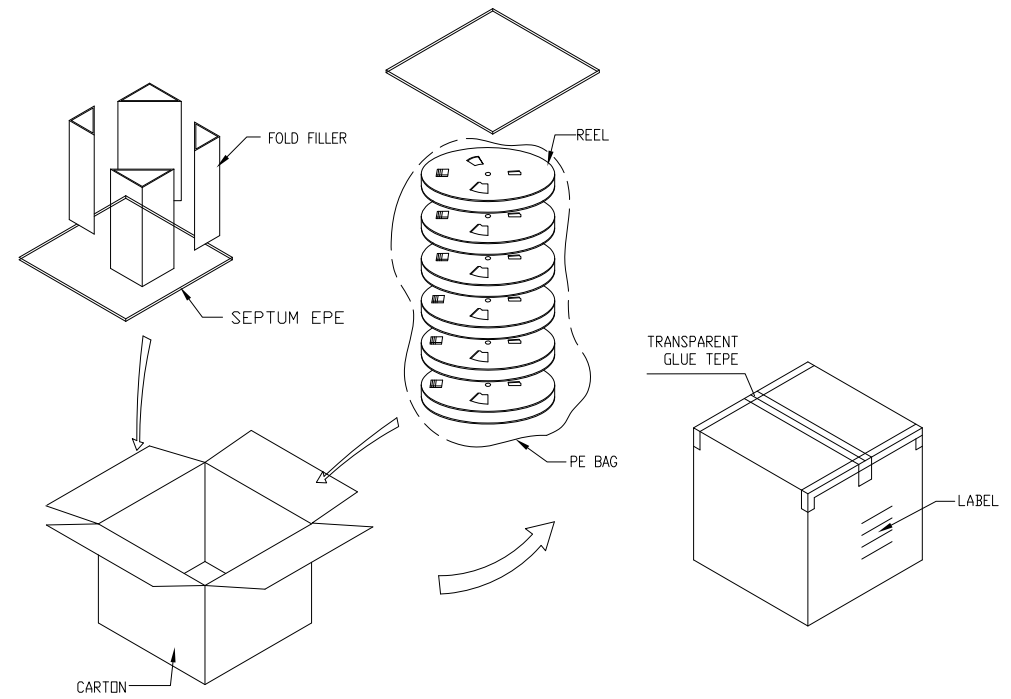
FIH P/N	TABLE A GOLD PLATING THICKNESS
A0750-0003	Au30u
A0750-0001	G/F

REVISION HISTORY			
REV	DESCRIPTION	Drawing	DATE
02	修改包装数量	Allen	2020/04/13

客户拉料方向



2. PART DIMENSIONS MEET EIA-481-2-A REQUIREMENT



TABLE

PRODUCT P/N	PARTS PER SHIPPING CARTON	PARTS PER REEL	LOADED REEL PER SHIPPING CARTON
A0750-0003	1440	180	8
A0750-0001			

PRODUCT SPECIFICATION DOC.No: SP-XXXX-001	SCALE 1 : 1	DESIGN UNITS mm	FULLINHOPE Technology, LTD.	
TEST REPORT DOC.No: TR-XXXX-001	DRAWN Mei Chen	DATE 2019/08/16		
GENERAL TOLERANCES (UNLESS SPECIFIED)	CHECKED	DATE		
X.XXX ± 0.20	APPROVED	DATE		
X.XX ± 0.20				
XX ± 0.25				
ANGULAR ± 3°				
THIRD ANGLE PROJECTION	DWG NO. PA0750-001	PART NO. SEE TABLE	DWG REV. 02	SHEET NO. 1 OF 1