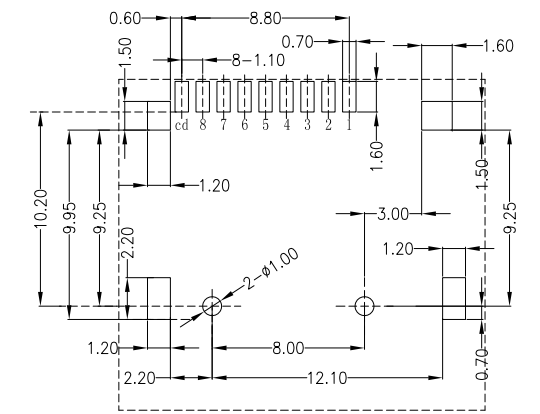
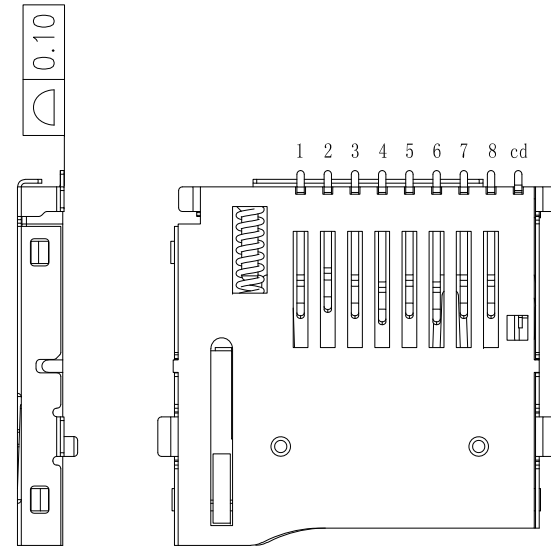
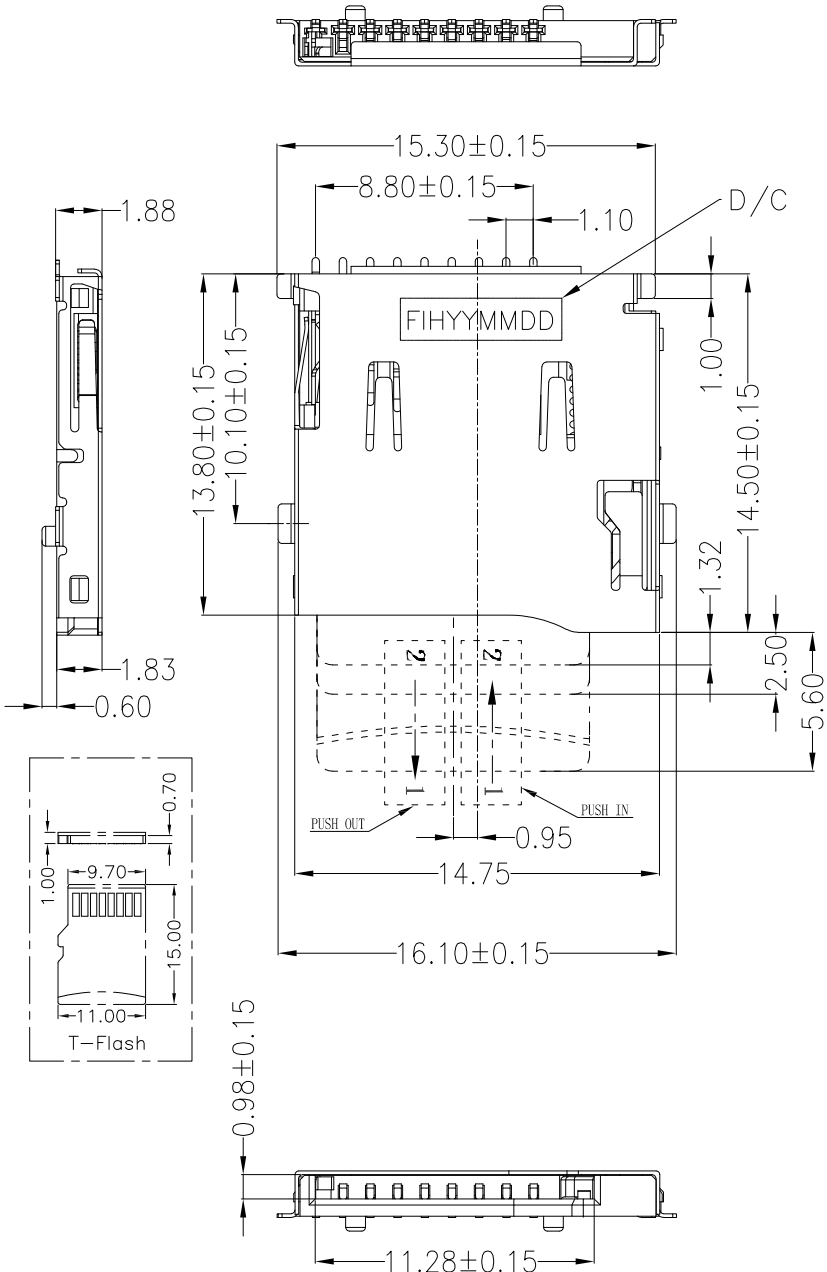


| REVISION HISTORY | | | |
|------------------|-------------|---------|------------|
| REV | DESCRIPTION | Drawing | DATE |
| 01 | PROPOSAL | Allen | 2020/09/18 |

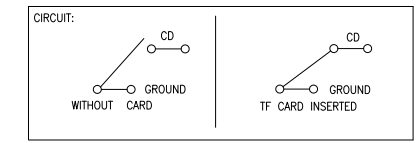


(RECOMMENDED/P.C.B)HOLE LAYOUT
COMPONENT SIDE VIEW TOLERANCE:±0.05

NOTES:

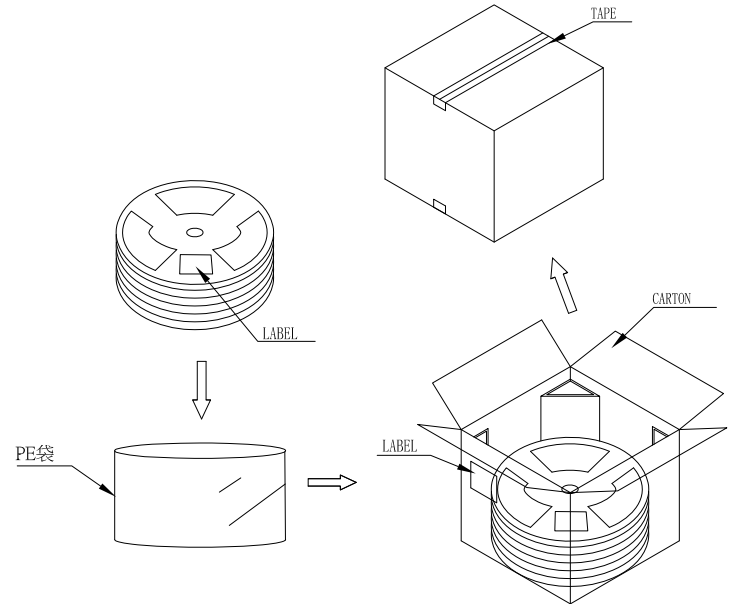
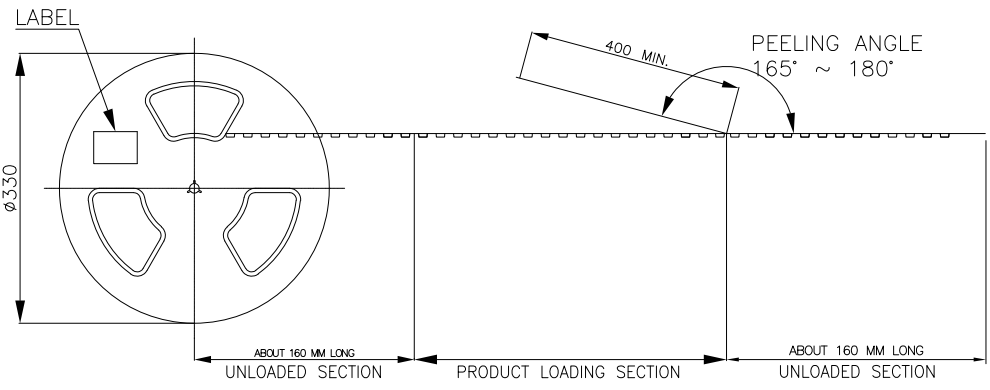
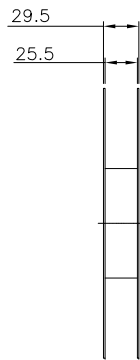
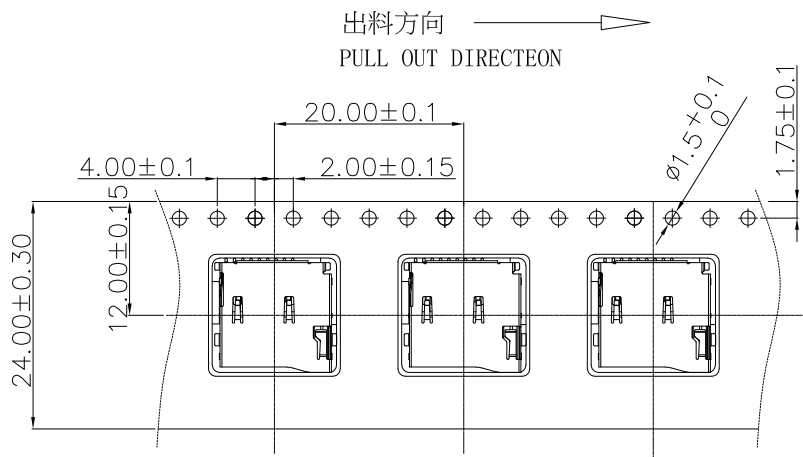
- MATERIAL:
 - SHELL: STAINLESS STEEL
 - TERMINAL: COPPER ALLOY
 - INSULATOR/SLIDER: HIGH TEMPERATURE THERMOPLASTIC, UL 94V-0
 - SPRING: SWP
 - DRAWBAR: STAINLESS STEEL
- PLATING:
 - TERMINAL: PLATED 30u" Ni OVERALL
PLATED G/F SELECTIVE CONTACT AREA.
PLATED 80u" Tin SELECTIVE SOLDER AREA.
 - SHELL : PLATED 30u" Ni OVERALL.

| NO. | ASSIGNMENT | NO. | ASSIGNMENT |
|-----|----------------------|-----|------------|
| 1# | DAT2 | 5# | CLK |
| 2# | CD/DAT3 ² | 6# | VSS |
| 3# | CMD | 7# | DATO |
| 4# | VDD | 8# | DAT1 |

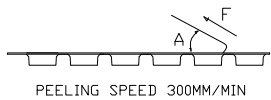


| | | | | |
|---|-----------------------|------------------------|------------------------------------|---------------------|
| PRODUCT SPECIFICATION: DOC.No: SP-Axxxx-xx | SCALE 1 : 1 | DESIGN UNITS mm | FULLINHOPE Technology, LTD. | |
| TEST REPORT DOC.No: TR-Axxxx-xx | DRAWN Allen | DATE 2020/09/18 | | |
| GENERAL TOLERANCES (UNLESS SPECIFIED) | CHECKED | DATE | | |
| X.XXX ± 0.10 | APPROVED | DATE | | |
| X.XX ± 0.20 | | | | |
| X.X ± 0.35 | | | | |
| ANGULAR ± 3° | DWG NO. SA0846-001 | PART NO. A0846-0001 | DWG REV. 01 | SHEET NO. 1 OF 1 |
| THIRD ANGLE PROJECTION | | | | |

| REVISION HISTORY | | | |
|------------------|-------------|---------|------------|
| REV | DESCRIPTION | Drawing | DATE |
| 01 | PROPOSAL | Allen | 2020/09/18 |



1. COVER TAPE PEELING FORCE:



| | |
|---|-----------|
| A | 15°~ 0° |
| F | 0.1N~1.3N |

2. PART DIMENSIONS MEET EIA-481-2-A REQUIREMENT

TABLE

| PRODUCT P/N | PARTS PER SHIPPING CARTON | PARTS PER REEL | LOADED REEL PER SHIPPING CARTON |
|-------------|---------------------------|----------------|---------------------------------|
| A0846-0001 | 10000 | 1000 | 10 |

| | | | | |
|--|-----------------------|------------------------|---|---------------------|
| PRODUCT SPECIFICATION: DOC.No: SP-AXXXX-001 | SCALE 1 : 1 | DESIGN UNITS mm | TITLE FULLINHOPE Technology, LTD. | |
| TEST REPORT DOC.No: TR-AXXXX-001 | DRAWN Allen | DATE 2020/09/18 | MICRO SD PUSH-PUSH, H1.88 | |
| GENERAL TOLERANCES (UNLESS SPECIFIED) | CHECKED | DATE | | |
| X.XXX ± 0.20 | APPROVED | DATE | | |
| X.XX ± 0.20 | | | | |
| X.X ± 0.25 | | | | |
| ANGULAR ± 3° | | | | |
| THIRD ANGLE PROJECTION | DWG NO. PA0846-001 | PART NO. A0846-0001 | DWG REV. 01 | SHEET NO. 1 OF 1 |