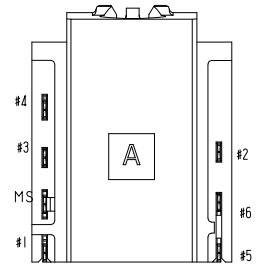
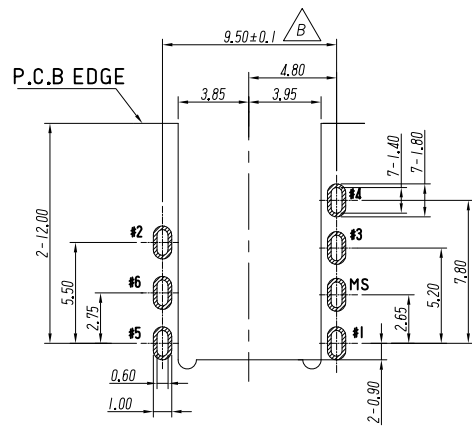
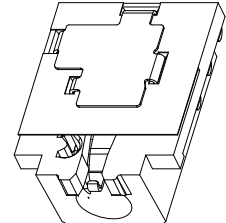
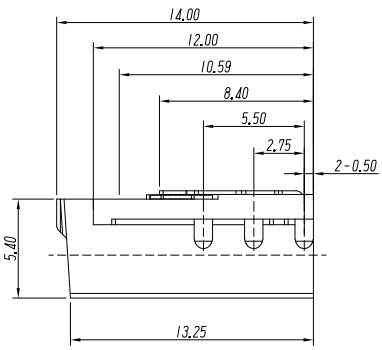
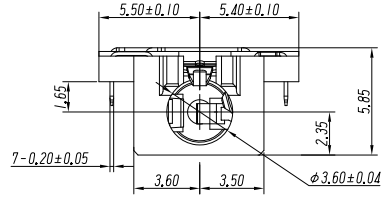
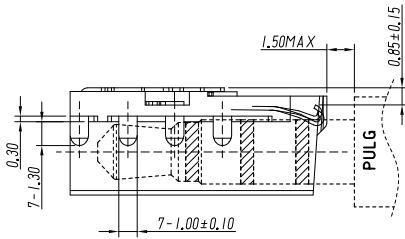
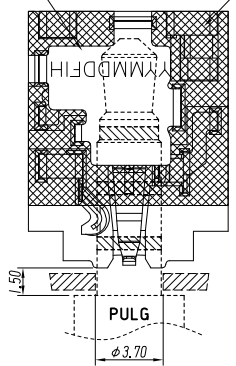


REVISION HISTORY			
REV	DESCRIPTION	Drawing	DATE
B	新增PCB LAYOUT 尺寸	Allen	2019/12/18



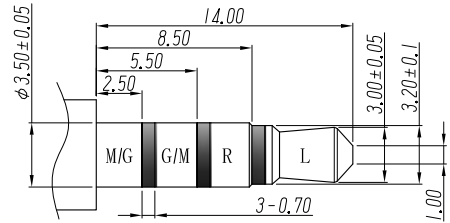
DATE CODE. MYLAR



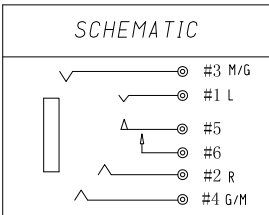
RECOMMENDED PANEL'S ID

RECOMMENDED P.C.B LAYOUT
UNLESS SPECIFIED, OTHER USE TOLERANCE : ±0.05

- NOTE:
- MATERIAL:
HOUSING: PA9T UL94V-0 BLACK
SEPARATOR: PA9T UL94V-0 BLACK
 - TERMINAL: C5191 T=0.20MM
 - SHELL: C2680 T=0.20MM
 - FINISH:
TERMINAL: GOLD FLASH ON CONTACT AREA;
GOLD FLASH ON SOLDER AREA;
ALL OVER 50U" NICKEL
 - MYLAR: T=0.60 YELLOW
 - SPECIFICATION:
RATING : DC 30V 0.5A
CONTACT RESISTANCE: ≤30mΩ;
AFTER TEST: ≤50mΩ
INSULATION RESISTANCE: ≥100MΩ (500VDC);
AFTER TEST: ≥50MΩ
WITHSTAND VOLTAGE: 500VAC;
INSERTION AND EXTRACTION FORCE: 5N~30N
LIFE TEST: 5000cycles min;
 - PACKAGE DRAWING REFER TO PA0546-01
 - PRODUCT MUST CONFORM TO ROHS AND HALOGEN FREE REQUIREMENT

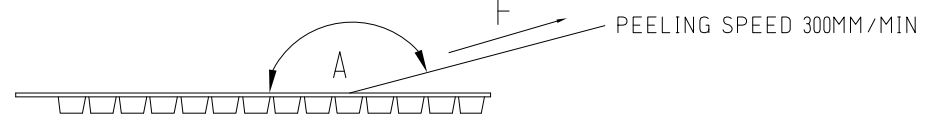
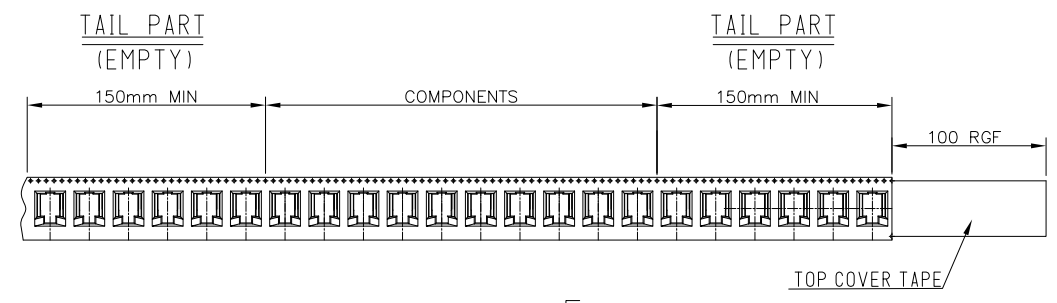
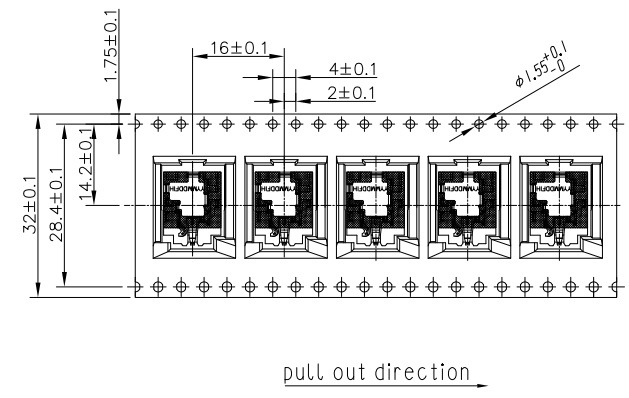
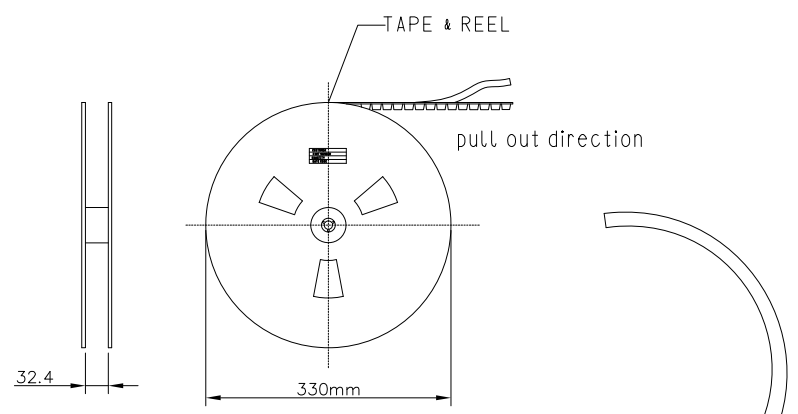


RECOMMENDED PLUG
φ3.5 4-POLE



PRODUCT SPECIFICATION: DOC.No: SP-AXXXX-001	SCALE 1 : 1	DESIGN UNITS mm	FULLINHOPE Technology, LTD.	
TEST REPORT DOC.No: TR-AXXXX-001	DRAWN Sandy	DATE 2017/10/24	TITLE φ3.5 AUDIO JACK REVERSE HANG, CH-1.65mm	
GENERAL TOLERANCES (UNLESS SPECIFIED)	CHECKED	DATE		
X.XX ± 0.20	APPROVED	DATE		
X.X ± 0.30				
ANGULAR ± 2°				
THIRD ANGLE PROJECTION	DWG NO. SA0546-001	PART NO. A0546-0001	DWG REV. B	SHEET NO. 1 OF 1

REVISION HISTORY			
REV	DESCRIPTION	Drawing	DATE
A	RELEASE	Sandy	2018/02/09



COVER TYPE PEELING FORCE

A	165° - 180°
F	0.1N - 1.3N

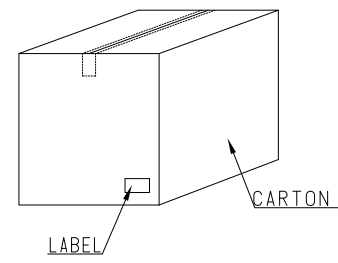
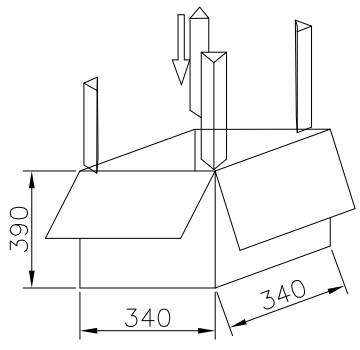


TABLE :

PRODUCT P/N	PARTS PER SHIPPING CARTON	PARTS PER REEL	LOADED REEL PER SHIPPING CARTON
A0546-0001	5000	500	10

PRODUCT SPECIFICATION: DOC.No: SP-AXXXX-001	SCALE 1 : 1	DESIGN UNITS mm	FULLINHOPE Technology, LTD.	
TEST REPORT DOC.No: TR-AXXXX-001	DRAWN Sandy	DATE 2017/10/24	TITLE $\phi 3.5$ AUDIO JACK REVERSE HANG, CH-1.65mm	
GENERAL TOLERANCES (UNLESS SPECIFIED)	CHECKED	DATE		
X.XXX ± 0.20	APPROVED	DATE		
X.XX ± 0.20				
X.X ± 0.25				
ANGULAR ± 3°	DWG NO. PA0546-001	PART NO. A0546-0001	DWG REV. A	SHEET NO. 1 OF 1
THIRD ANGLE PROJECTION				