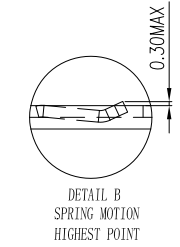
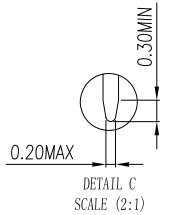
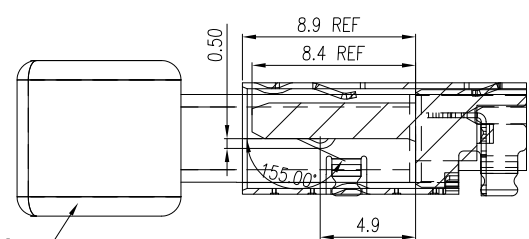
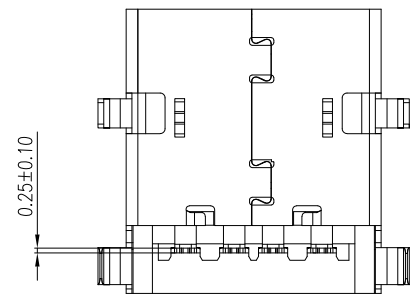
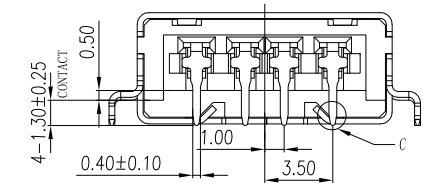
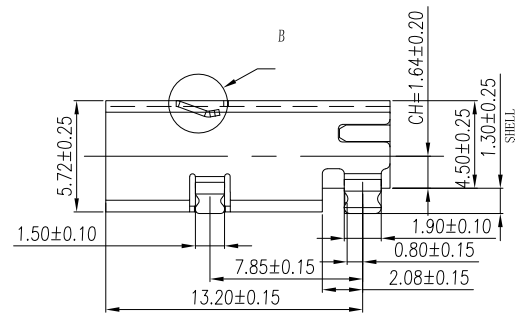
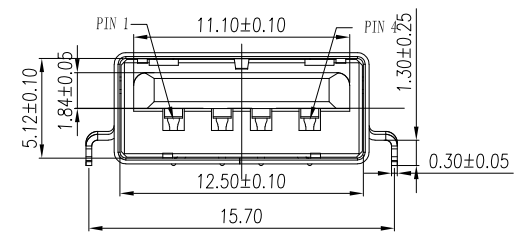
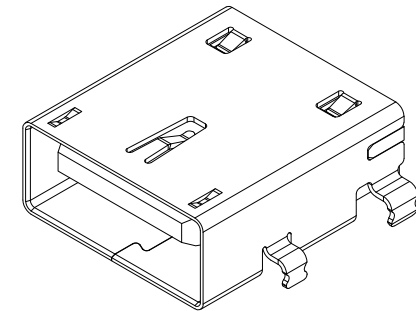
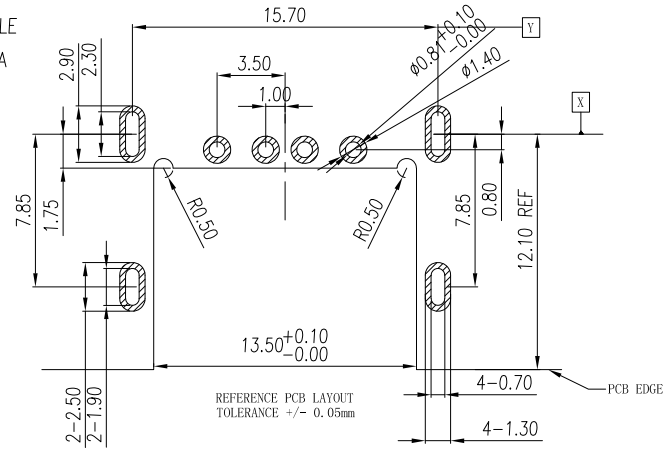
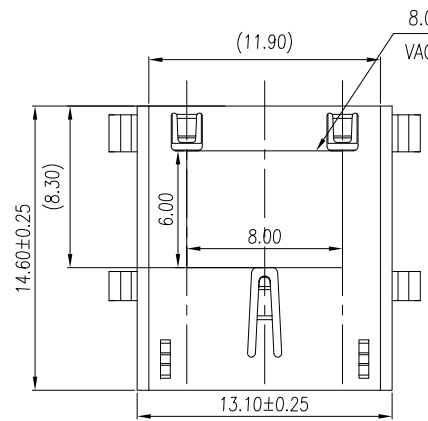


REVISION HISTORY			
REV	DESCRIPTION	Drawing	DATE
01	PROPOSAL	Allen	2021/03/24



ITEM	PART	Q'TY	MATERIAL	COLOR/PLATED
C	CONTACT	4	05191	GOLD (SEE P/N) ON CONTACT AREA, MATTE-TIN 100u" ON SOLDER ALL OVER 50u" Ni
B	SHELL	1	SPOC	Ni 40u" 60u"
A	HOUSING	1	LOP	BLACK

PRODUCT SPECIFICATION: DOC.No: SP-XXXX-XX	SCALE 1 : 1	DESIGN UNITS mm
TEST REPORT DOC.No: TR-XXXX-XX	DRAWN Allen	DATE 2021/03/24
GENERAL TOLERANCES (UNLESS SPECIFIED)	CHECKED	DATE
XXX.X ± 0.20	APPROVED	DATE
XX.X ± 0.20	DWG NO. SA0870-001	PART NO. SEE TABLE
X.X ± 0.25	THIRD ANGLE PROJECTION	DWG REV. 01
ANGULAR ± 3°		SHEET NO. 1 OF 1

TABLE	
FIH P/N	TABLE A GOLD PLATING THICKNESS
A0870-0003	Au 30u"
A0870-0001	G/F

**FULLINHOPE Technology, LTD.**  
 USB 2.0 A TYPE RECEPTACLE  
 SINK CH= 1.64mm