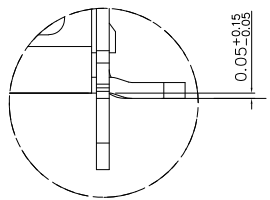
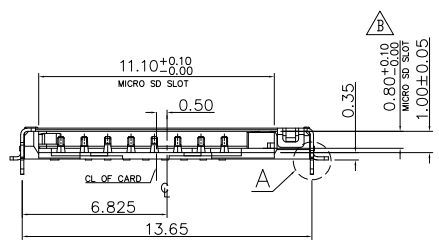
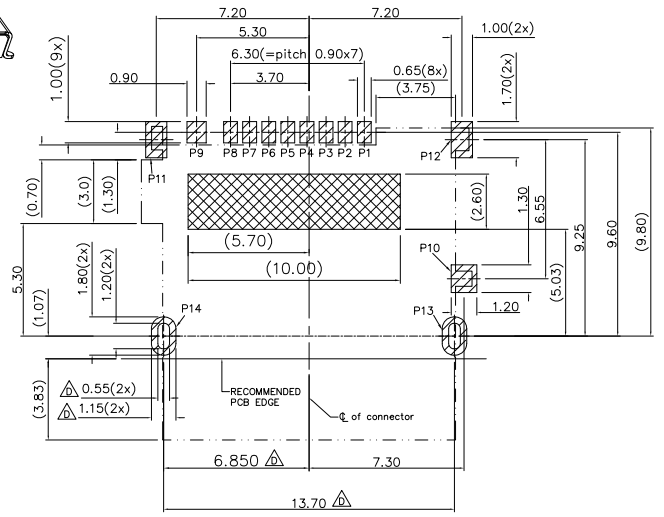
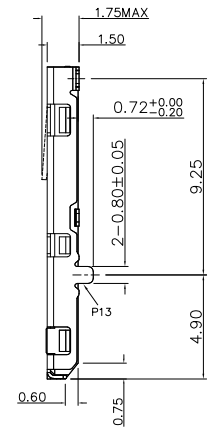
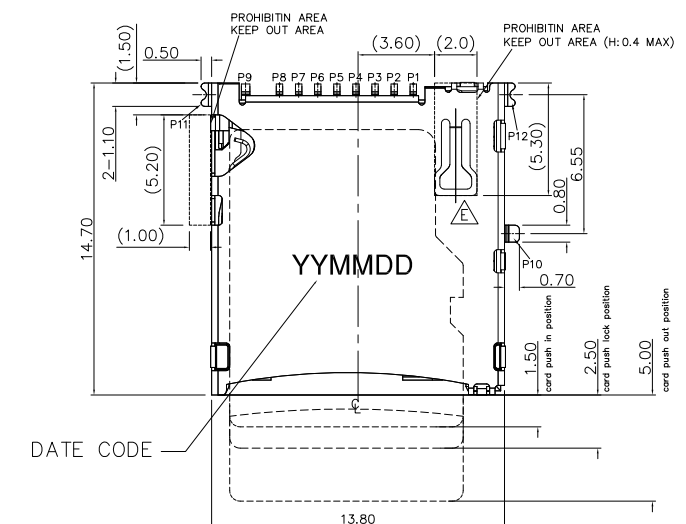
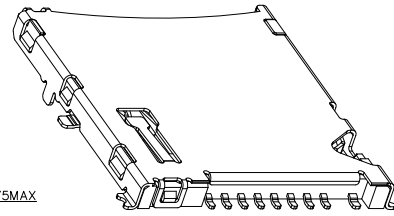
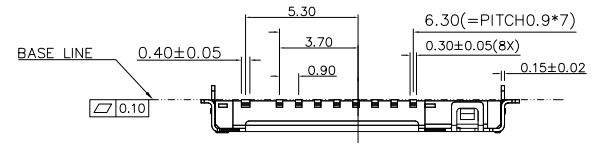


REVISION HISTORY			
REV	DESCRIPTION	Drawing	DATE
E	修改彈片形狀	Allen	2020/02/26



DETAIL A
SCALE 5:1

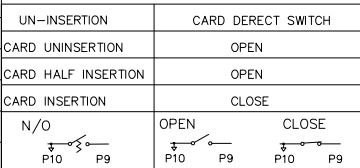
RECOMMENDED PCB LAYOUT(TOP VIEW)
GENERAL TOLERANCE: ±0.05

- PAD AREA
- NO COPPER AREA
- KEEP OUT AREA

- NOTES:
- MATERIAL:
 - 1.1 PLASTIC: LCP , UL 94V-0, COLOR: BLACK
 - 1.2 CONTACT: COPPER ALLOY (C5210)
 - 1.3 SHELL: STAINLESS STEEL (SUS304)
 - FINISH:
 - 2.1 TERMINAL: 50u" MIN. NICKEL PLATED OVERALL
 - 2.2 CONTACT: SELECTIVE GOLD PLATED, SEE TABLE A
 - 2.3 TAIL: 120u" MATT-TIN PLATED
 - 2.4 SHELL: 50u" MIN. NICKEL PLATED OVERALL
 - PRODUCT SPECIFICATION REFER TO SP-A0528-01
 - PACKAGE DRAWING REFER TO PA0528-01
 - PRODUCT MUST CONFORM TO RoHS AND HALOGEN FREE REQUIREMENT

PIN NUMBER	PIN DEFINE
PIN 1	MICRO_SD_DAT2
PIN 2	MICRO_SD_CD/DAT3
PIN 3	MICRO_SD_CMD
PIN 4	MICRO_SD_VDD
PIN 5	MICRO_SD_CLK
PIN 6	MICRO_SD_VSS
PIN 7	MICRO_SD_DAT0
PIN 8	MICRO_SD_DAT1
PIN 9	MICRO_SD_CD
PIN 10	GND
PIN 11,12,13,14	GND

CARD DETECT SWITCH OPEN/CLOSE FOR MICRO SD CARD POSITION



TABLE

FIH P/N	TABLE A GOLD PLATING THICKNESS
A0528-0003	Au30u
A0528-0001	G/F

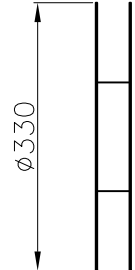
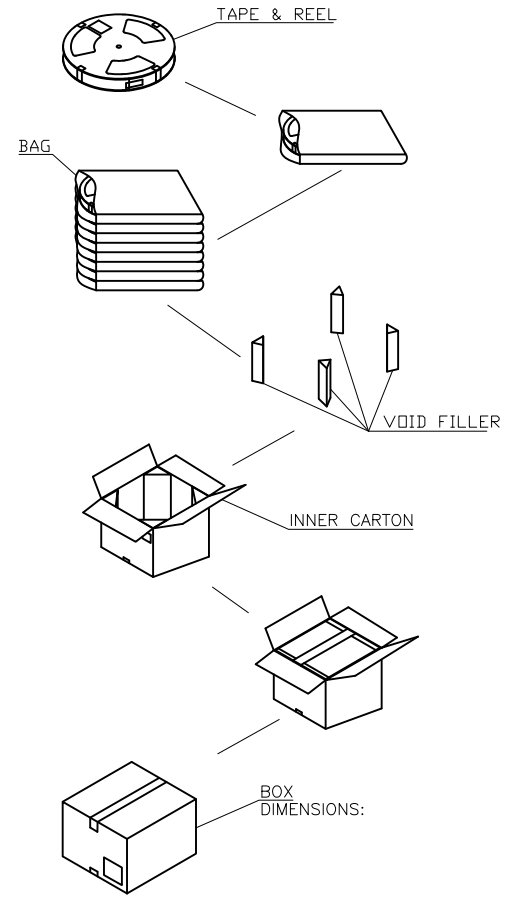
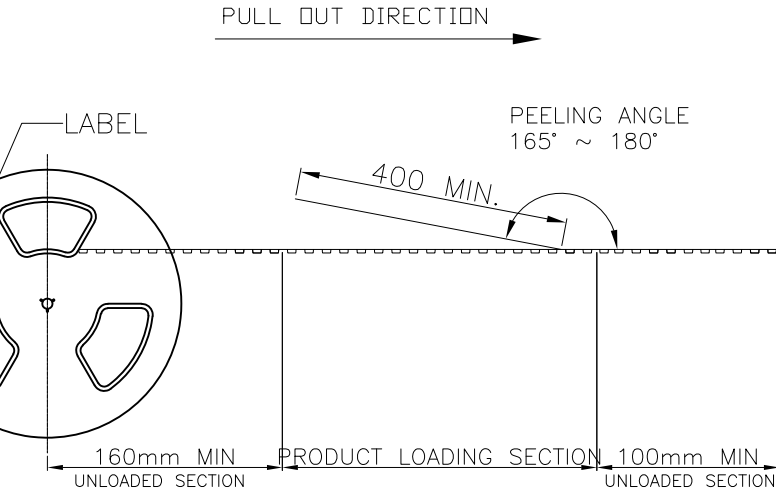
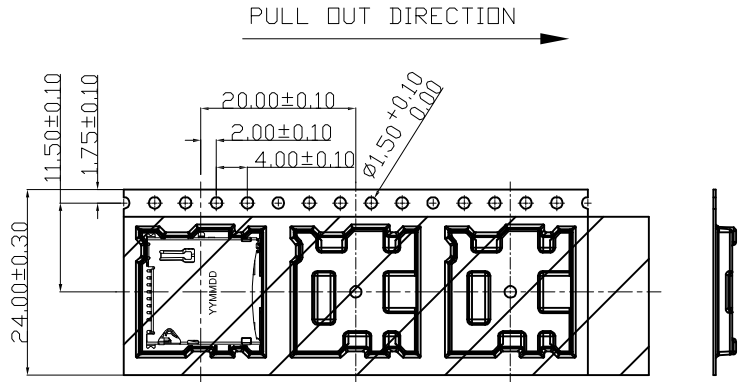
PRODUCT SPECIFICATION: DOC.No: SP-A0528-01 TEST REPORT DOC.No: TR-A0528-01 GENERAL TOLERANCES (UNLESS SPECIFIED)	SCALE 1 : 1	DESIGN UNITS mm
X.XXX ± 0.10 X.XX ± 0.25 X.X ± 0.38 ANGULAR ± 3°	Drawn Mei Chen	DATE 2017/07/21
	CHECKED	DATE
	APPROVED	DATE
	DWG NO. SA0528-001	

CHT 群匯科技股份有限公司
CHIUN HUEI Technology CO., LTD.

TITLE
Micro SD Push Push Connector
Top-Mount,H=1.5

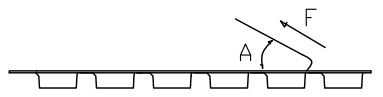
PART NO. TABLE A	DWG REV. E	SHEET NO. 1 OF 1
---------------------	---------------	---------------------

REVISION HISTORY			
REV	DESCRIPTION	Drawing	DATE
A	RELEASE	Mei Chen	2017/10/19
B	修改包裝數量	Linda	2019/05/23



1. QUANTITY: 900PCS

2. COVER TAPE PEELING FORCE:



PEELING SPEED 300MM/MIN

A	15° ~ 0°
F	0.1N ~ 1.3N

3. PART DIMENSIONS MEET EIA-481-D REQUIREMENT

TABLE

PRODUCT P/N	PARTS PER SHIPPING CARTON	PARTS PER REEL (S.P.Q.)	TOTAL REELS PER SHIPPING CARTON	
A0528-0003	8100(PCS)	900(PCS)	9	
A0528-0001				
PRODUCT SPECIFICATION: D/C.No: SP-AXXXX-XX	SCALE 1 : 1	DESIGN UNITS MM	CHT 群匯科技股份有限公司 CHIUN HUEI Technology CO., LTD.	
TEST REPORT D/C.No: TR-AXXXX-XX	DRAWN Linda	DATE 2019/05/23		
GENERAL TOLERANCES (UNLESS SPECIFIED)	CHECKED	DATE		
X.XXX ± 0.10	APPROVED	DATE		
X.XX ± 0.25				
X.X ± 0.38			TITLE Micro SD Push Push Connector Top-Mount, H=1.5	
ANGULAR ± 3°				
THIRD ANGLE PROJECTION	DWG NO. PA0528-001	PART NO. SEE TABLE	DWG REV. B	SHEET NO. 1 OF 1