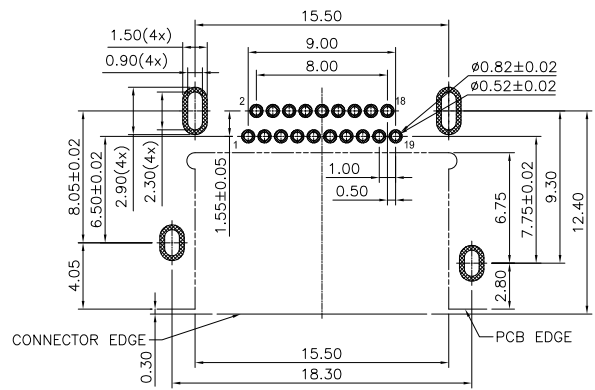
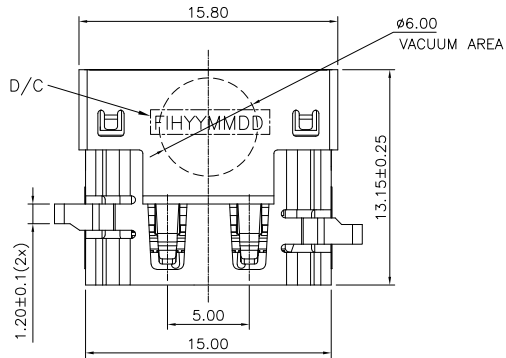
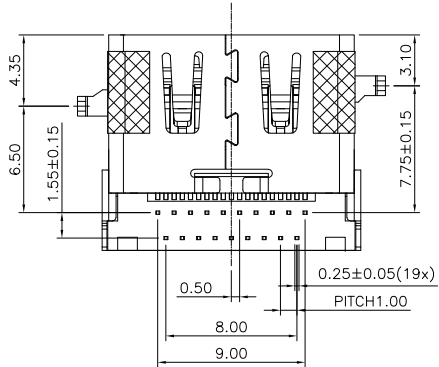
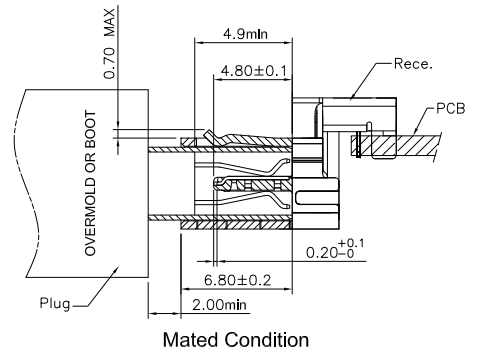
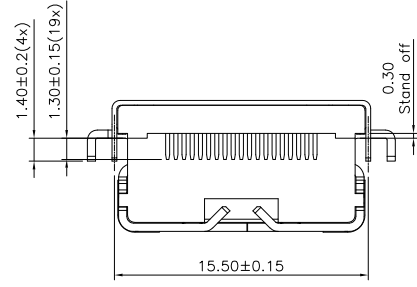
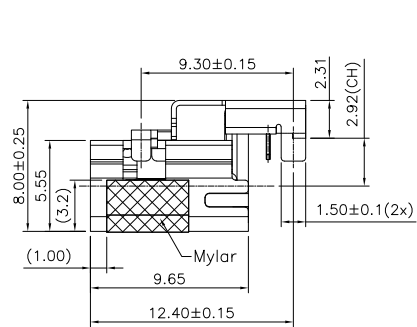
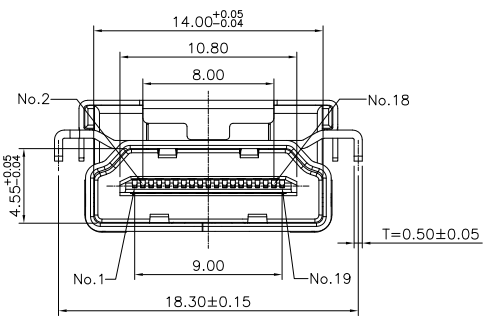


REVISION HISTORY			
REV	DESCRIPTION	Drawing	DATE
01	PROPOSAL	Allen	2020/08/12



RECOMMENDED P.C.B LAYOUT (COMPONENT SIDE)  
THICKNESS=1.20±0.05 (TOP VIEW)

- NOTE:
- MATERIAL:
    - HOUSING: PA9T, HIGH TEMPERATURE THERMOPLASTIC, UL94V-0, COLOR:BLACK.
    - CONTACT: COPPER ALLOY.
    - SHELL: METAL.
  - FINISH:
    - TERMINAL: 50u" MIN. NICKEL PLATED OVERALL.
    - CONTACT: SELECTIVE GOLD PLATED, SRR TABLE A.
    - TAIL: 100u" MIN MATT-TIN PLATED.
    - SHELL: 50u" MIN. NICKEL PLATED OVERALL.



TABLE

FIH P/N	TABLE A GOLD PLATING THICKNESS
A0834-0003	Au30u
A0834-0001	G/F

PRODUCT SPECIFICATION: DOC.No: SP-Axxxx-001	SCALE 1 : 1	DESIGN UNITS mm
TEST REPRDT DOC.No: TR-Axxxx-001	DRAWN Allen	DATE 2020/08/12
GENERAL TOLERANCES (UNLESS SPECIFIED)	CHECKED	DATE
X.XXX ± 0.10	APPROVED	DATE
X.XX ± 0.25		
X.X ± 0.38		
ANGULAR ± 3°	DWG NO. SA0834-001	PART NO. TABLE A
THIRD ANGLE PROJECTION		DWG REV. 01

FULLINHOPE Technology, LTD.		
TITLE HDMI A Type Receptacle DIP Product CH=-2.92mm		
PART NO. TABLE A	DWG REV. 01	SHEET NO. 1 OF 1