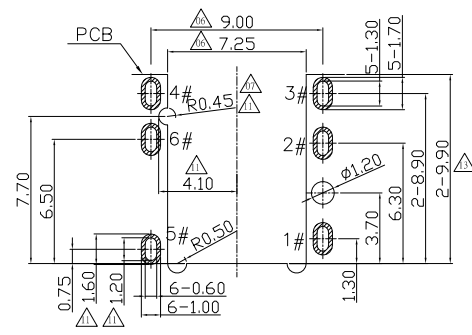
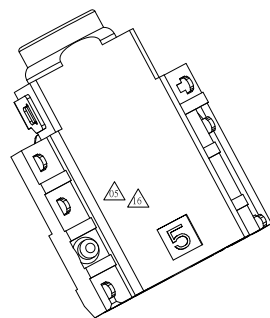
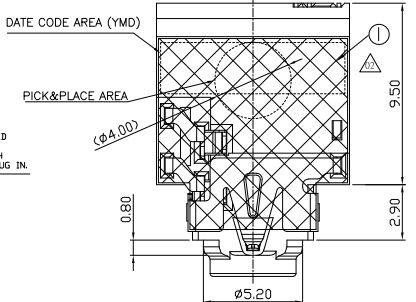
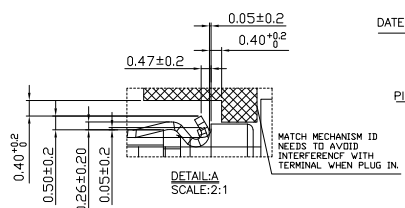
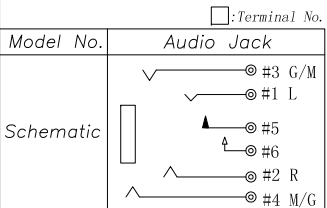
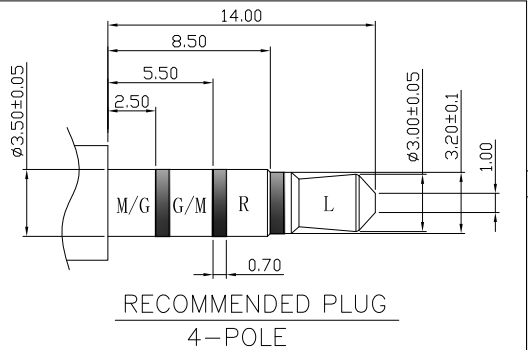
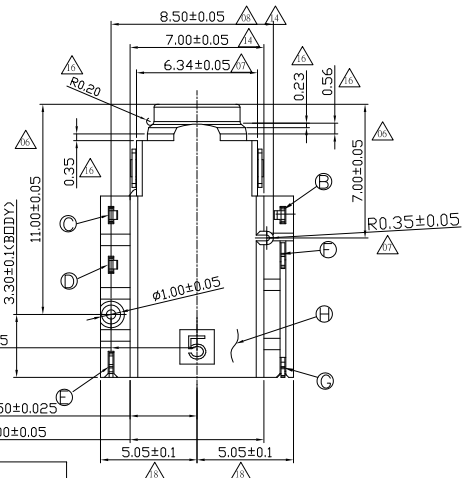
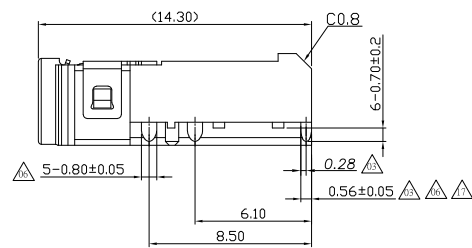
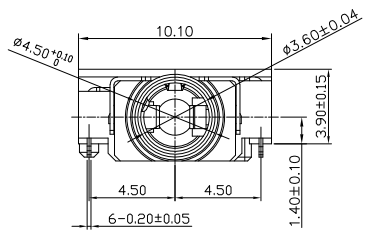
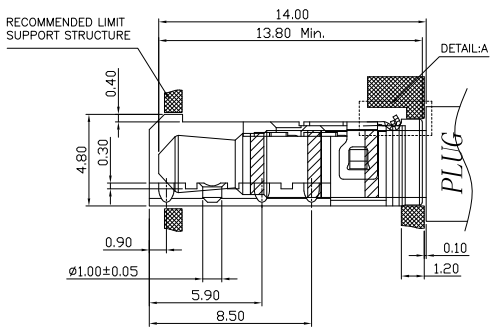


| REVISION HISTORY | | | |
|------------------|-------------|---------|------------|
| REV | DESCRIPTION | Drawing | DATE |
| 19 | 增加膠芯材質說明 | Allen | 2020/03/31 |



PCB LAYOUT
TOP VIEW (TOLERANCE:±0.05)

- NOTE:
- SPECIFICATION:
 - 1-1 RATING : DC 12V 1A
 - 1-2 CONTACT RESISTANCE : 50mΩ MAX(INITIAL)
 - 1-3 DIELECTRIC WITHSTAND VOLTAGE : 500V AC FOR ONE MINUTE.
 - 1-4 INSULATION RESISTANCE : 100MΩ MIN.MEASURED BY 500VDC
 - MECHANICAL CHARACTERISTICS:
 - INSERTION FORCE : 0.8~3.0KGF
 - 2.5KGF MAX.(AFTER LIFE TEST)
 - WITHDRAWAL FORCE: 0.6~1.8KGF
 - 0.5KGF MAX.(AFTER LIFE TEST)
 - LIFE TEST : 2000cycles min
 - AFTER LIFE TEST, CONTACT RESISTANCE:120MΩ
 - 4.AFT HUMIDITY TEST,INSULATION RESISTANCE : 50MΩ MIN.
 - 5.TO CONFORM TO SINGATRON HAZARDOUS SUBSTANCE FREE SPEC.
 - 4.PDODUCT SPECIFICATION REFER TO SP-A0753-01
 - 5.PACKAGE DRAWING REFER TO PA0753-01
 - 6.PRODUCT MUST CONFORM TO ROHS AND HALOGEN FREE REQUIREMENT
 - 7.DATE CODE:FIHXX(YEAR),XX(MONTH),XX(DATE)



| | | | | |
|-----|-------------|-----|-------------------|--|
| Ⓛ | MYLAR | 1 | T=0.06 | YELLOW |
| Ⓜ | SEPARATOR | 1 | PA9T, UL-94V0 | Black |
| ⓐ | 5#-TERMINAL | 1 | C5191 0.20t | GOLD FLASH ON CONTACT AREA; GOLD FLASH ON SOLDER AREA; ALL OVER 50u" NI. |
| ⓑ | 6#-TERMINAL | 1 | C5191 0.20t | |
| ⓒ | 1#-TERMINAL | 1 | C5191 0.20t | |
| ⓓ | 2#-TERMINAL | 1 | C5191 0.20t | |
| ⓔ | 3#-TERMINAL | 1 | C5191 0.20t | COOL GRAY 10C |
| ⓕ | 4#-TERMINAL | 1 | C5191 0.20t | |
| ⓖ | HOUSING | 1 | PA4T-F11, UL-94V0 | |
| NO. | DESCRIPTION | QTY | MATERIAL | REMARK |

| | | |
|--|-----------------------|------------------------|
| PRODUCT SPECIFICATION: DOC.No: SP-Axxxx-001 | SCALE 1 : 1 | DESIGN UNITS mm |
| TEST REPRDT DOC.No: TR-Axxxx-001 | DRAWN Linda | DATE 2019/08/19 |
| GENERAL TOLERANCES (UNLESS SPECIFIED) | CHECKED Mei | DATE 2019/08/19 |
| X.XXX ± 0.20 | APPROVED TJ | DATE 2019/08/19 |
| X.XX ± 0.20 | | |
| X.X ± 0.25 | | |
| ANGULAR ± 3° | DWG NO. SA0753-001 | PART NO. A0753-0001 |
| THIRD ANGLE PROJECTION | | DWG REV. 19 |

FULLINHOPE Technology, LTD.

TITLE

∅3.5 AUDIO JACK
REVERSE HANG, CH=1.40mm

SHEET NO.
1 OF 1

| REVISION HISTORY | | | |
|------------------|-------------|---------|------------|
| REV | DESCRIPTION | Drawing | DATE |
| 04 | 每盤 增加獨立包裝 | Allen | 2021/07/12 |

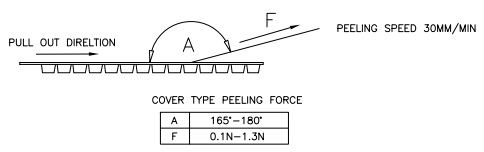
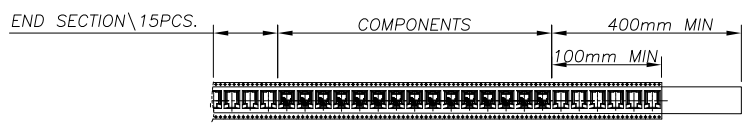
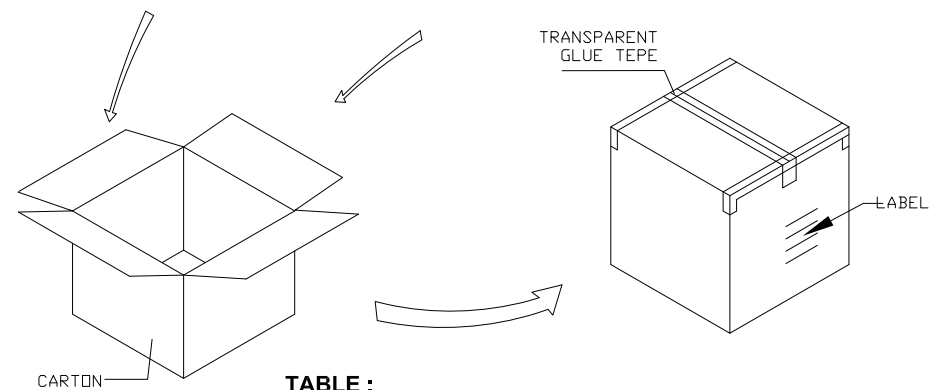
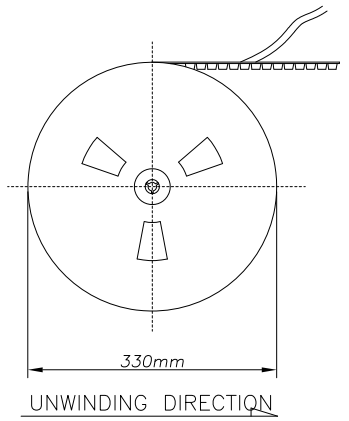
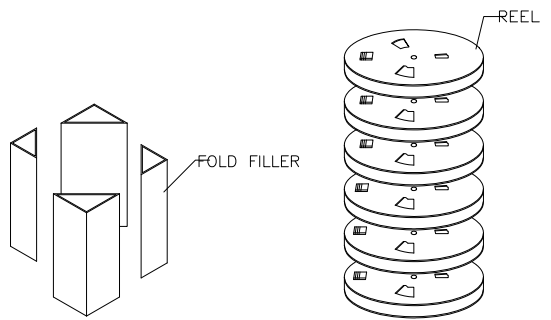
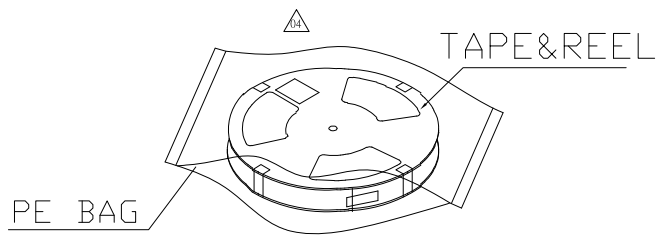
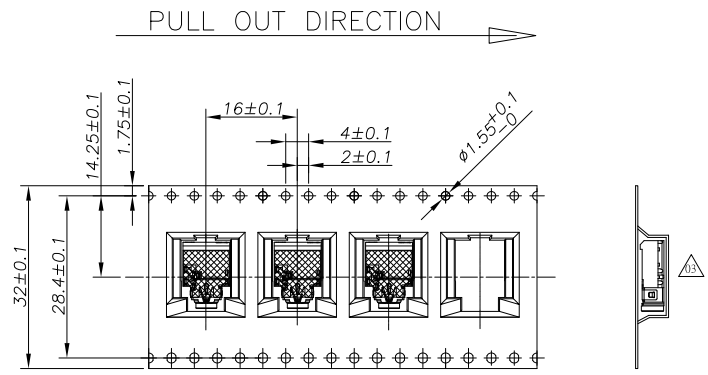


TABLE :

| PRODUCT P/N | PARTS PER SHIPPING CARTON | PARTS PER REEL | LOADED REEL PER SHIPPING CARTON |
|-------------|---------------------------|----------------|---------------------------------|
| A0753-0001 | 7000 | 700 | 10 |

| | | |
|--|-----------------------|--------------------|
| PRODUCT SPECIFICATION: DOC.No: SP-AXXXX-001 | SCALE 1 - 1 | DESIGN UNITS mm |
| TEST REPORT DOC.No: TR-AXXXX-001 | DRAWN Linda | DATE 2019/07/31 |
| GENERAL TOLERANCES (UNLESS SPECIFIED) | CHECKED Mei | DATE 2019/08/01 |
| X.XXX ± 0.20 | APPROVED TJ | DATE 2019/08/01 |
| X.XX ± 0.20 | | |
| X.X ± 0.25 | | |
| ANGULAR ± 3 | | |
| THIRD ANGLE PROJECTION | DWG NO. PA0753-001 | |

| | | |
|---|----------------|---------------------|
| FULLINHOPE Technology, LTD. | | |
| TITLE φ3.5 AUDIO JACK REVERSE HANG, CH=1.40mm | | |
| PART NO. A0753-0001 | DWG REV. 04 | SHEET NO. 1 OF 1 |

AUDIO JACK 时序图

