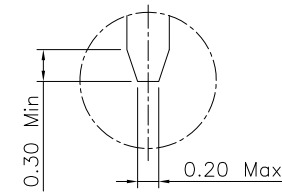
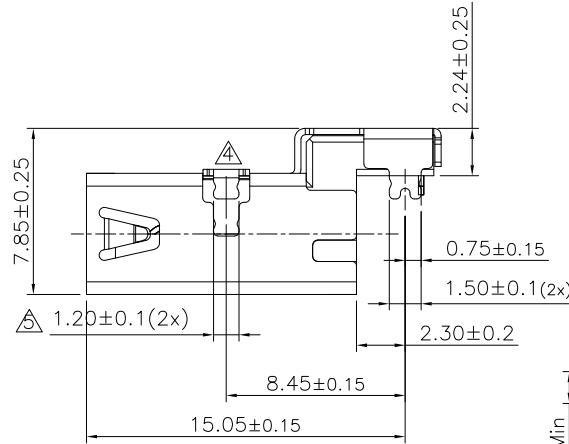
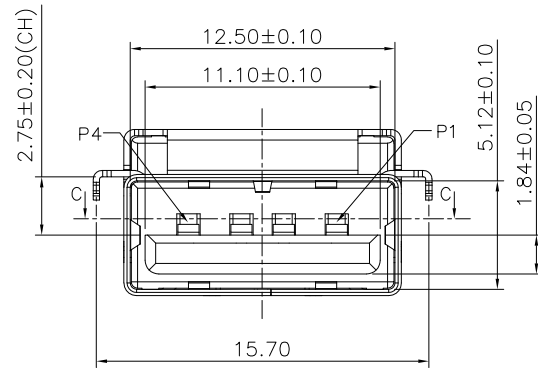
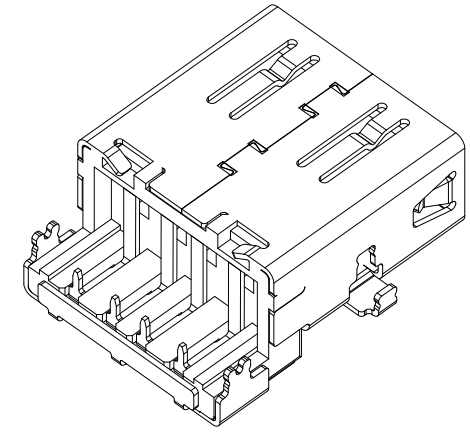
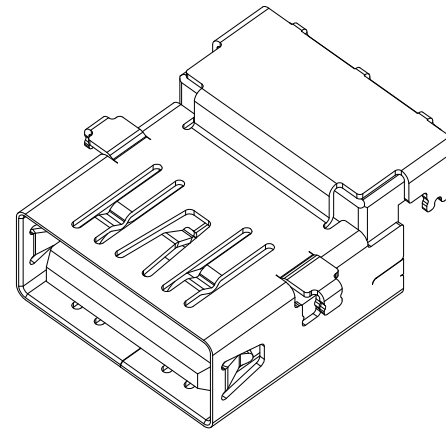
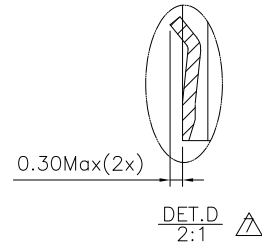
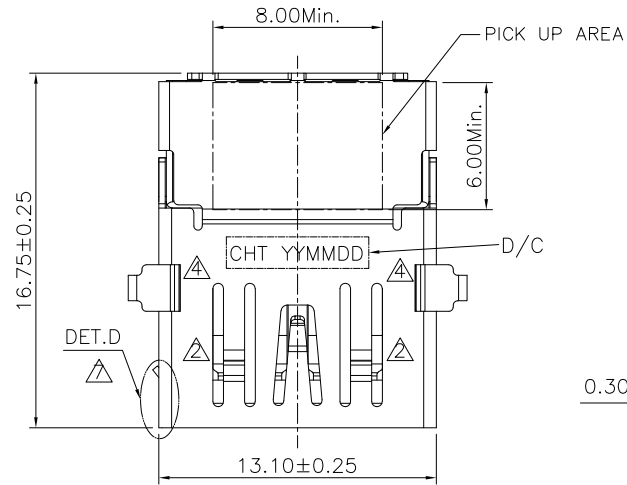
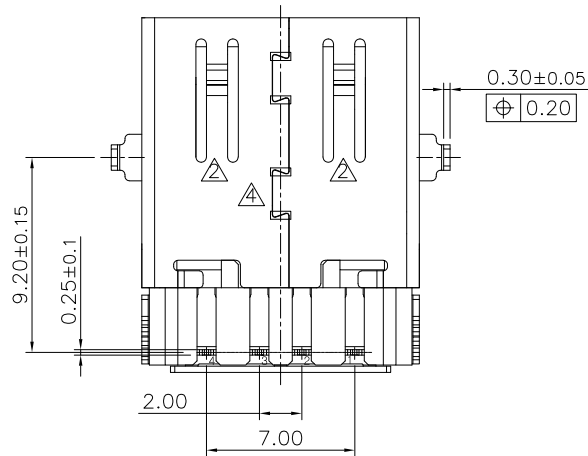
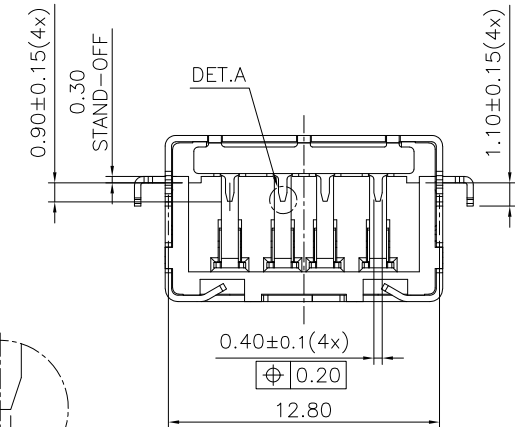


REVISION HISTORY		
REV	DESCRIPTION	Drawing DATE
07	變更圖面擺放位置	Allen 2021/01/25



DET.A
5:1 (All Contacts)



TABLE

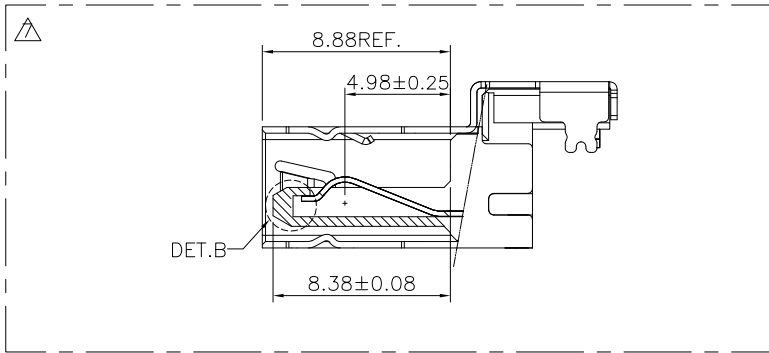
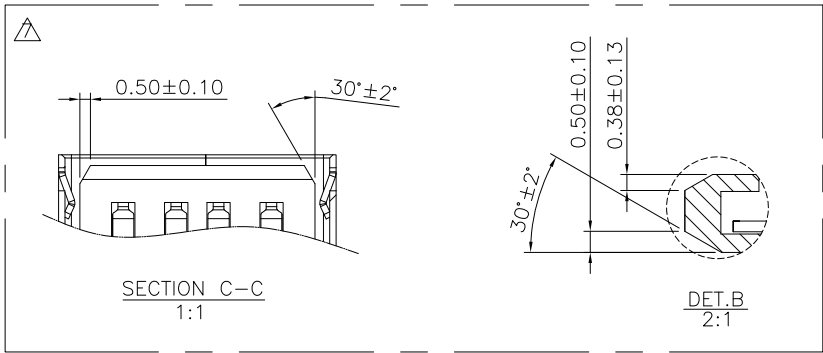
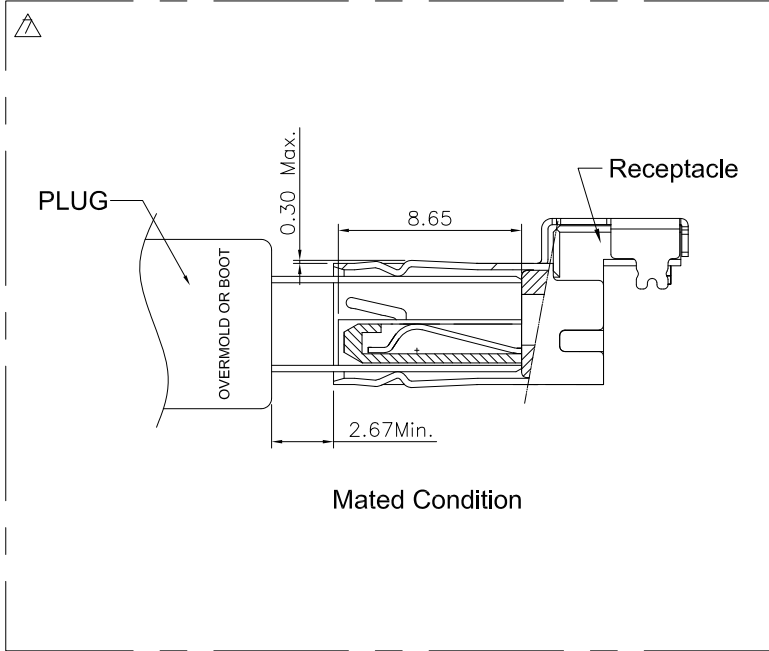
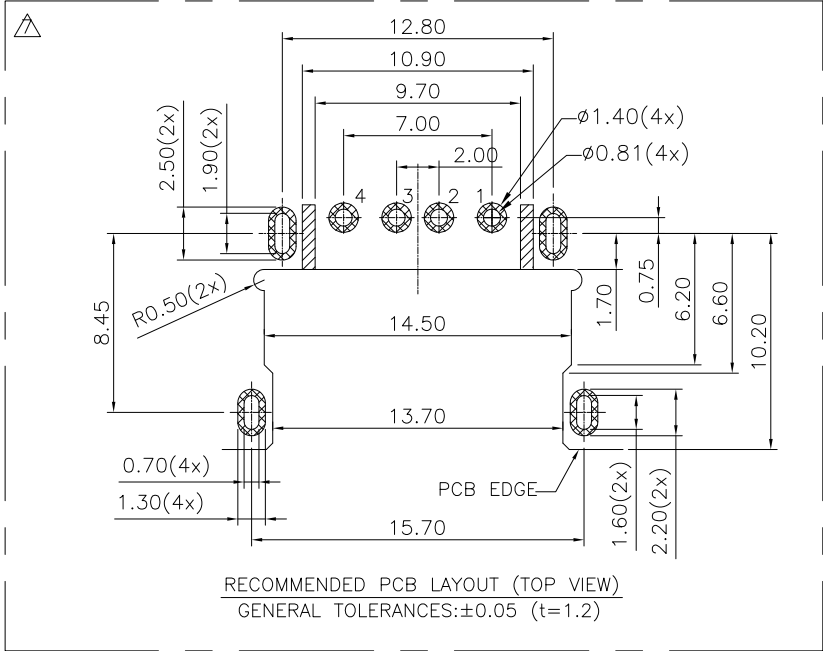
FIH P/N	TABLE A GOLD PLATING THICKNESS
A0823-0003	Au 30μ'
A0823-0001	G/F

PRODUCT SPECIFICATION: DOC.No: SP-Axxxx-xx	SCALE 1 : 1	DESIGN UNITS mm
TEST REPORT DOC.No: TR-Axxxx-xx	DRAWN ALLEN	DATE 2020/07/02
GENERAL TOLERANCES (UNLESS SPECIFIED)	CHECKED	DATE
X.XXX ± 0.10	APPROVED	DATE
X.XX ± 0.25	DWG NO. SA0823-001	
X.X ± 0.38		
ANGULAR ± 3°		
THIRD ANGLE PROJECTION		

CHT 群匯科技股份有限公司
CHIUN HUEI Technology CO., LTD.

TITLE
USB 2.0 A TYPE RECEPTACLE REVERSE
RIGHT ANGLE DIP C/H=-2.75mm

PART NO. TABLE A	DWG REV. 07	SHEET NO. 1 OF 2
---------------------	----------------	---------------------



Contact Number	Signal Name
PIN1	VBUS
PIN2	D-
PIN3	D+
PIN4	GND
Shell	Shield

NOTE:

1. MATERIAL:
 - 1.1 INSULATOR: HIGH TEMPERATURE THERMOPLASTIC, UL94V-0, COLOR: BLACK
 - 1.2 CONTACT: COPPER ALLOY.
 - 1.3 SHELL: METAL.
2. FINISH:
 - 2.1 TERMINAL: 50 μ " MIN. NICKEL PLATED OVERALL
 - 2.2 CONTACT: SELECTIVE GOLD PLATED, SEE TABLE A
 - 2.3 TAIL: 100 μ " MIN MATT-TIN PLATED
 - 2.4 SHELL: 50 μ " MIN. NICKEL PLATED OVERALL

PRODUCT SPECIFICATION: DOC.No: SP-Axxxx-xx	SCALE 1 : 1	DESIGN UNITS mm
TEST REPORT DOC.No: TR-Axxxx-xx	DRAWN ALLEN	DATE 2020/07/02
GENERAL TOLERANCES (UNLESS SPECIFIED)	CHECKED	DATE
X.XXX ± 0.10	APPROVED	DATE
X.XX ± 0.25		
X.X ± 0.38		
ANGULAR $\pm 3^\circ$		
THIRD ANGLE PROJECTION	DWG NO. SA0823-001	PART NO. TABLE A

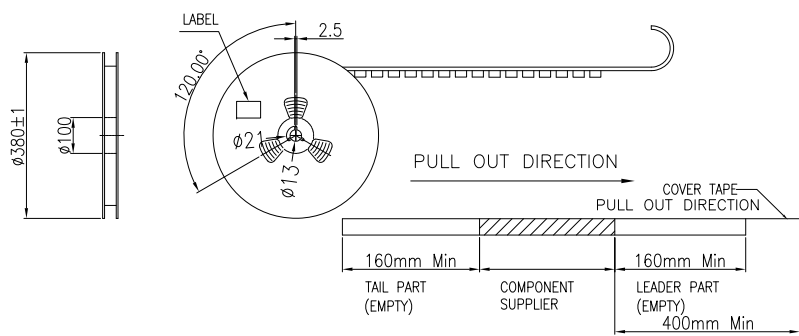
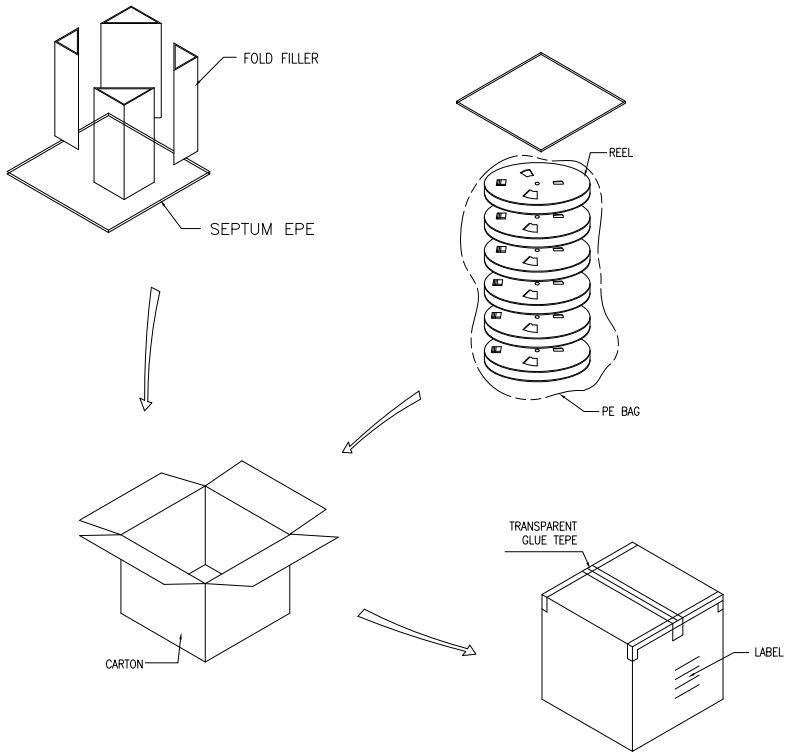
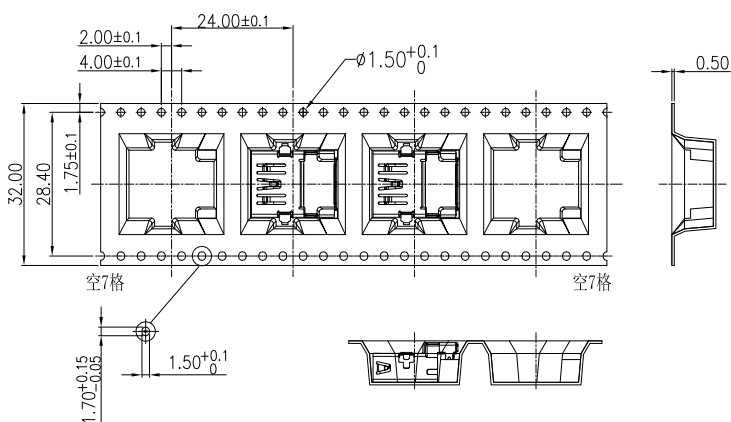
CHT 群匯科技股份有限公司
CHUIN HUEI Technology CO., LTD.

TITLE
USB 2.0 A TYPE RECEPTACLE REVERSE
RIGHT ANGLE DIP C/H=-2.75mm

DWG REV. 07	SHEET NO. 2 OF 2
----------------	---------------------

REVISION HISTORY			
REV	DESCRIPTION	Drawing	DATE
01	PROPOSAL	Allen	2020/08/10

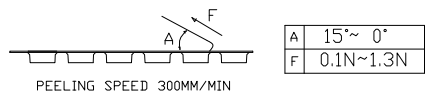
USER DIRECTION OFF UNREELING →



TABLE

PRODUCT P/N	PARTS PER SHIPPING CARTON	PARTS PER REEL	LOADED REEL PER SHIPPING CARTON
A0823-0003	4500	450	10
A0823-0001			

1. COVER TAPE PEELING FORCE:



2. PART DIMENSIONS MEET EIA-481-2-A REQUIREMENT

PRODUCT SPECIFICATION: DOC.No: SP-XXXX-XX	SCALE 1 : 1	DESIGN UNITS MM	CHT 群匯科技股份有限公司 CHIUN HUEI Technology CO., LTD.
TEST REPORT DOC.No: TR-XXXX-XX	DRAWN Allen	DATE 2020/08/10	
GENERAL TOLERANCES (UNLESS SPECIFIED)	CHECKED	DATE	TITLE USB 2.0 A TYPE RECEPTACLE REVERSE RIGHT ANGLE DIP C/H=-2.75mm
X.XXX ± 0.10	APPROVED	DATE	
X.XX ± 0.25			
X.X ± 0.38			
ANGULAR ± 3°			
THIRD ANGLE PROJECTION	DWG NO. PA0823-001	PART NO. SEE TABLE	DWG REV. 01
			SHEET NO. 1 OF 1