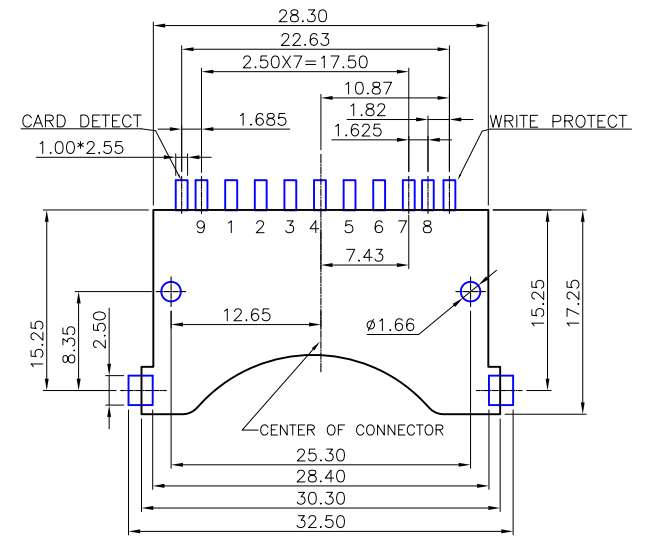
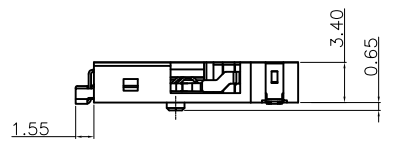
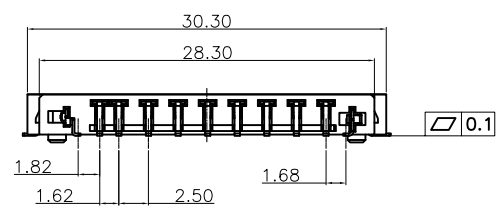
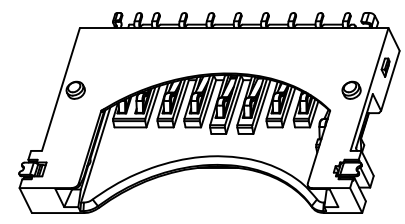
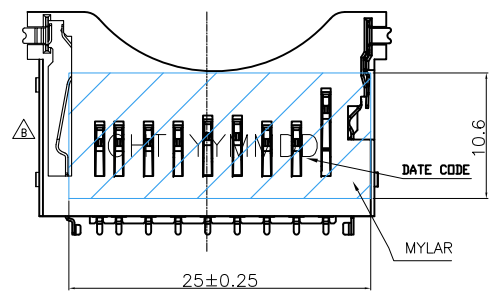
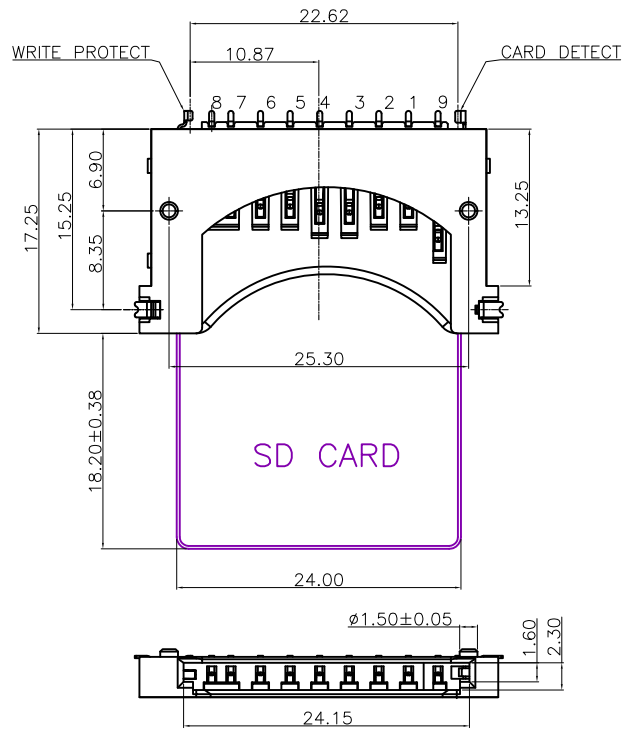


REVISION HISTORY			
REV	DESCRIPTION	Drawing	DATE
A	RELEASE	Josephine Lin	2013/09/03
B	RELEASE	Mei Chen	2014/01/28



RECOMMEND P.C.B HOLE LAYOUT (THICKNESS=1.0 mm)
TOLERANCE: 0.05mm TOP VIEW



- NOTES :
- MATERIAL :
 - HOUSING : LCP E473I, WITH GF+MD, UL94V-0, COLOR:BLACK
 - CONTACTS : PHOSPHOR BRONZE , C5210R.
 - MYLAR: PI
 - FINISH:
 - CONTACT: GOLD FLASH ON THE CONTACT AREA, 100 μ M MIN MATTE TIN PLATING ON SOLDER TAIL AREA, 50 μ M MIN. NICKEL UNDERPLATING OVERALL.
 - PACKAGING DRAWING REFER TO PA0119-001
 - DATE CODE: XX (YEAR), XX (MONTH) ,XX (DATE)

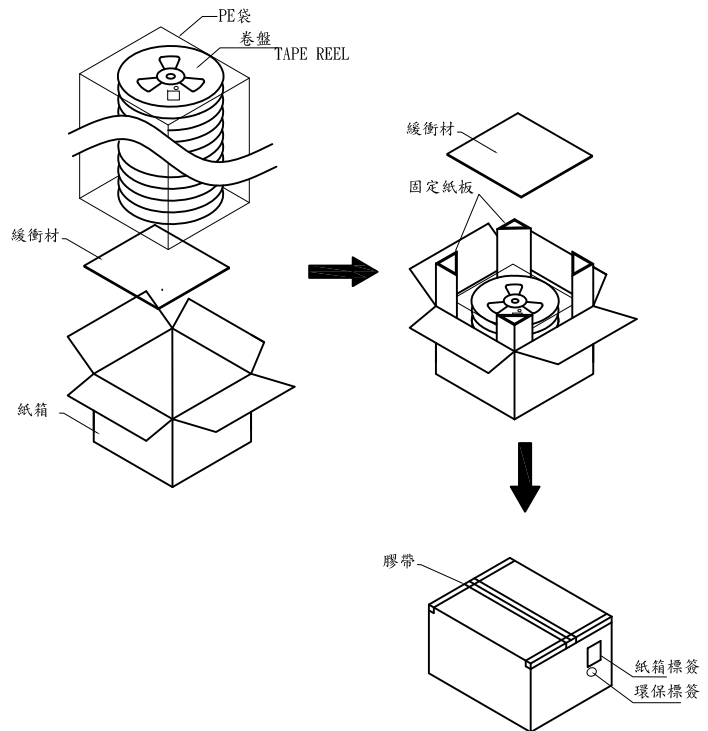
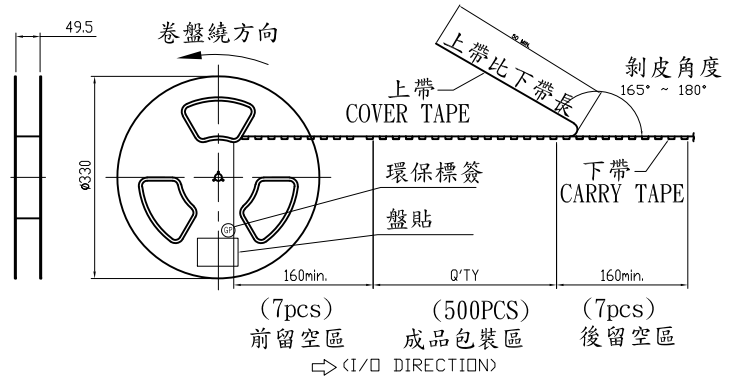
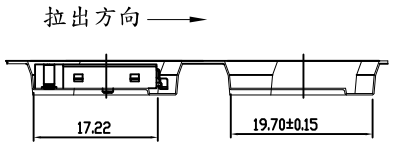
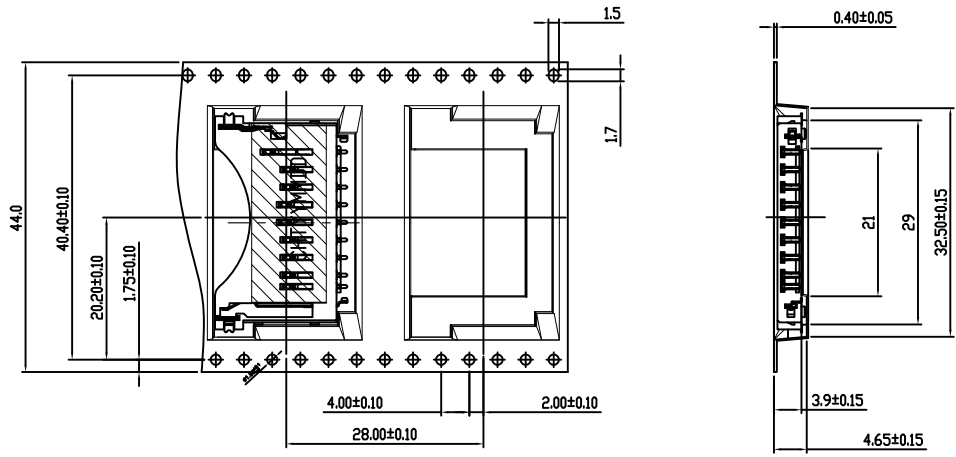
Pin No.	NAME
1	CD/DAT3
2	CMD
3	Vss1
4	VDD
5	CLK
6	Vss2
7	DATO
8	DAT1
9	DAT2

PRODUCT SPECIFICATION: DOC.No: SP-Axxxx-xx	SCALE 1 : 1	DESIGN UNITS mm
TEST REPORT DOC.No: TR-Axxxx-xx	DRAWN Josephine Lin	DATE 2013/09/03
GENERAL TOLERANCES (UNLESS SPECIFIED)	CHECKED	DATE
X.XXX ± 0.10	APPROVED	DATE
X.XX ± 0.20	DWG NO. SA0119-001	PART NO. A0119-0001
X.X ± 0.25	THIRD ANGLE PROJECTION	DWG REV. B
ANGULAR $\pm 3^\circ$		SHEET NO. 1 OF 1

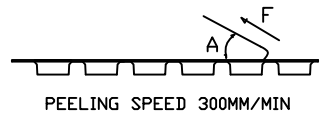
CHT 群匯科技股份有限公司
CHIUN HUEI Technology CO., LTD.

TITLE
MEMORY CARD SD CONNECTOR
REVERSE H=3.40mm WITH MYLAR.

REVISION HISTORY			
REV	DESCRIPTION	Drawing	DATE
A	RELEASE	Josephine Lin	2013/08/28



1. COVER TAPE PEELING FORCE:



A	15° ~ 0°
F	0.1N ~ 1.3N

2. PART DIMENSIONS MEET EIA-481-2-A REQUIREMENT

TABLE

PRODUCT P/N	PARTS PER SHIPPING CARTON	PARTS PER REEL	LOADED REEL PER SHIPPING CARTON
A0119-0001	2500	500	5

PRODUCT SPECIFICATION: DOC.No: SP-Axxxx-xx	SCALE 1:1	DESIGN UNITS MM	CHT 群匯科技股份有限公司 CHIUN HUEI Technology CO., LTD.	
TEST REPORT DOC.No: TR-Axxxx-xx	DRAWN Josephine Lin	DATE 2013/08/26		
GENERAL TOLERANCES (UNLESS SPECIFIED)	X.XXX ± 0.10	CHECKED DATE		
	X.XX ± 0.25	APPROVED DATE		
	X.X ± 0.38	ANGULAR ± 3°	TITLE MODULAR JACK RJ45 RECEPTACLE RA DIP SINK 4.65mm WITHOUT LED	
THIRD ANGLE PROJECTION	DWG NO. PA0119-001	PART NO. A0119-0001	DWG REV. A	SHEET NO. 1 OF 1