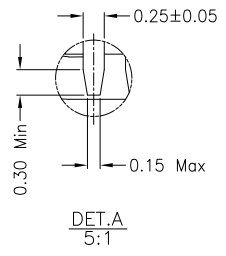
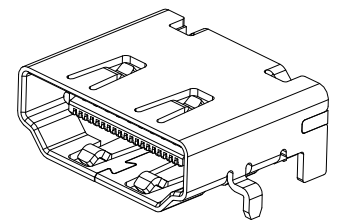
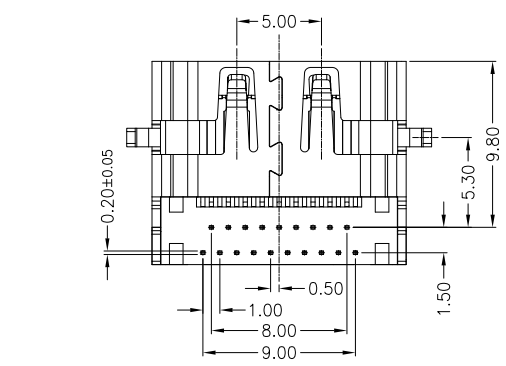
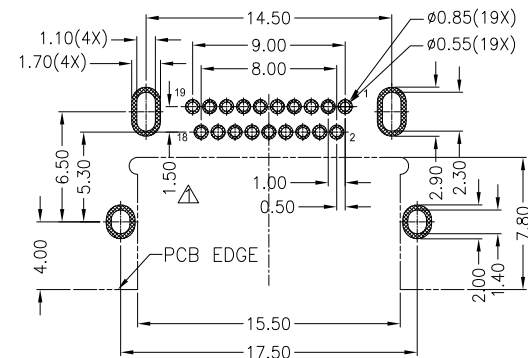
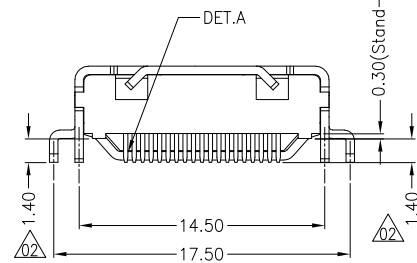
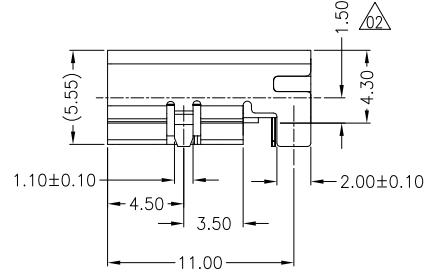
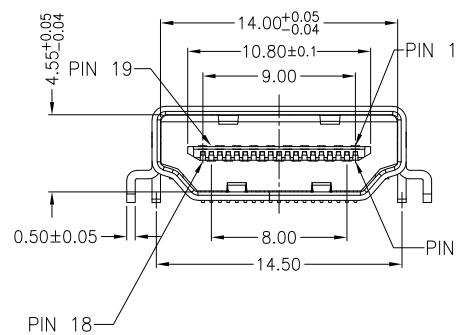
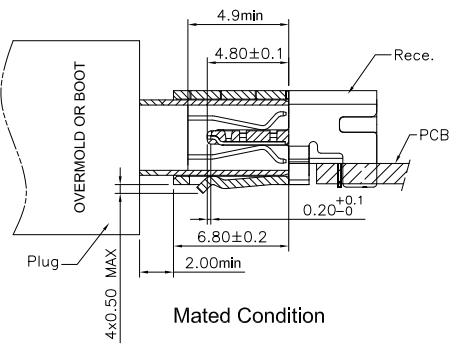
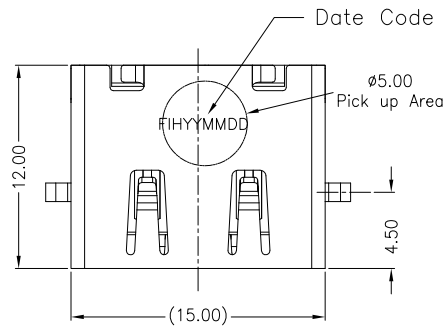


| REVISION HISTORY |             |         |            |
|------------------|-------------|---------|------------|
| REV              | DESCRIPTION | Drawing | DATE       |
| 05               | PROPOSAL    | Linda   | 2019/07/30 |



- NOTES:**
- MATERIAL AND PLATING:  
Housing: LCP+30%G.F,UL94V-0,Black  
Contact: Brass, Au And Sn Plated.  
Shell: SK7, Ni Plated.
  - PLATING:  
CONTACT: GOLD FLASH ON CONTACT AREA  
80u" MIN. MATTE-TIN ON SOLDERING TAILS  
50 u" MIN. NICKEL UNDERPLATING OVER ALL  
SHELL: 50 u" MIN. NICKEL UNDERPLATING OVER ALL
  - ORDERING DATA: A0417-0001
- 1: G/F  
0: BLACK

| TABLE      |                                |
|------------|--------------------------------|
| FIH P/N    | TABLE A GOLD PLATING THICKNESS |
| A0417-0003 | Au 30u"                        |
| A0417-0001 | G/F                            |

|                                               |                       |                    |
|-----------------------------------------------|-----------------------|--------------------|
| PRODUCT SPECIFICATION:<br>DOC.No: SP-Axxxx-xx | SCALE<br>1 : 1        | DESIGN UNITS<br>mm |
| TEST REPORT<br>DOC.No: TR-Axxxx-xx            | DRAWN<br>Linda        | DATE<br>2019/07/30 |
| GENERAL TOLERANCES<br>(UNLESS SPECIFIED)      | CHECKED               | DATE               |
| X.XXX $\pm 0.20$                              | APPROVED              | DATE               |
| X.XX $\pm 0.20$                               |                       |                    |
| X.X $\pm 0.25$                                |                       |                    |
| ANGULAR $\pm 3^\circ$                         |                       |                    |
| THIRD ANGLE<br>PROJECTION                     | DWG NO.<br>SA0417-001 |                    |

**CHT** 群匯科技股份有限公司  
CHIUN HUEI Technology CO., LTD.

TITLE HDMI A Type Receptacle DIP  
Product CH=1.50mm

|                     |                |                     |
|---------------------|----------------|---------------------|
| PART NO.<br>TABLE A | DWG REV.<br>05 | SHEET NO.<br>1 OF 1 |
|---------------------|----------------|---------------------|

10

9

8

7

6

5

4

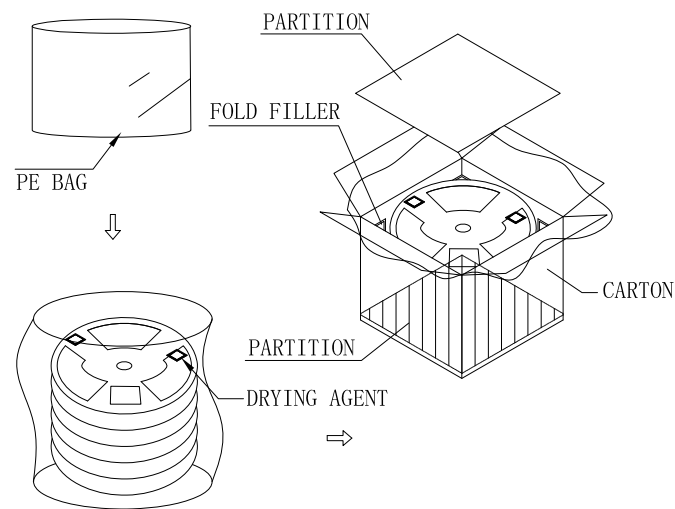
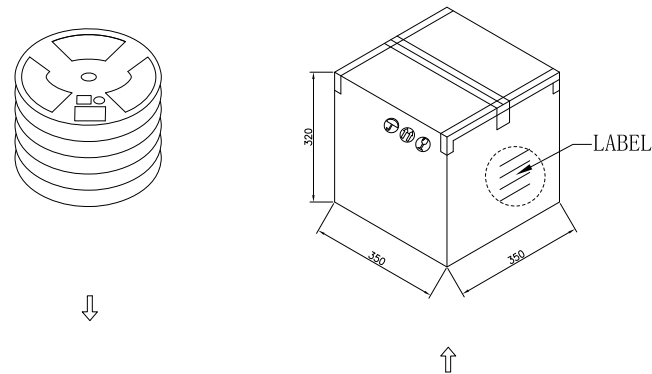
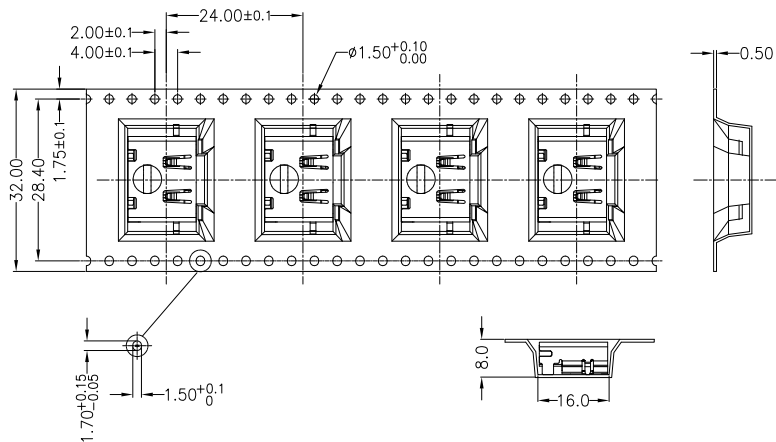
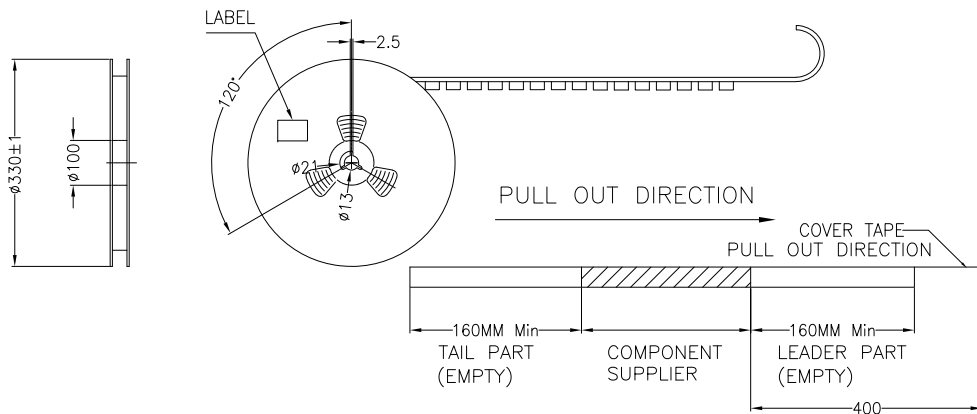
3

2

1

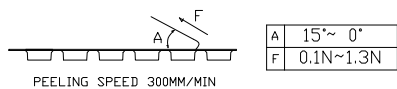
REVISION HISTORY

| REV | DESCRIPTION | Drawing  | DATE       |
|-----|-------------|----------|------------|
| 01  | PROPOSAL    | Mei Chen | 2015/12/02 |



| PRODUCT P/N | PARTS PER SHIPPING CARTON | PARTS PER REEL | LOADED REEL PER SHIPPING CARTON |
|-------------|---------------------------|----------------|---------------------------------|
| A0417-0001  | 4000                      | 400            | 10                              |

1.COVER TAPE PEELING FORCE:



2.PART DIMENSIONS MEET EIA-481-2-A REQUIREMENT

|                                               |                           |                        |
|-----------------------------------------------|---------------------------|------------------------|
| PRODUCT SPECIFICATION:<br>DDC.No: SP-Axxxx-xx | SCALE<br>1 : 1            | DESIGN UNITS<br>mm     |
| TEST REPORT<br>DDC.No: TR-Axxxx-xx            | DRAWN<br>Mei Chen         | DATE<br>2015/12/02     |
| GENERAL TOLERANCES<br>(UNLESS SPECIFIED)      | CHECKED                   | DATE                   |
| X.XXX ± 0.20                                  | APPROVED                  | DATE                   |
| X.XX ± 0.20                                   | THIRD ANGLE<br>PROJECTION |                        |
| X.X ± 0.25                                    | DWG NO.<br>PA0417-001     | PART NO.<br>A0417-0001 |
| ANGULAR ± 3                                   | DWG REV.<br>01            | SHEET NO.<br>1 OF 1    |

CHT 群匯科技股份有限公司  
CHIUN HUEI Technology CO., LTD.

TITLE  
HDMI A Type Receptacle DIP  
Product CH=150mm

9

8

7

6

5

4

3

2

1