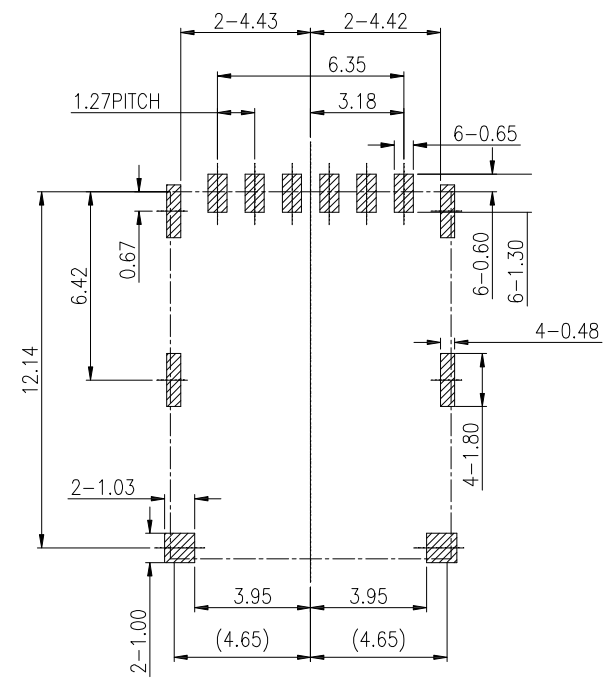
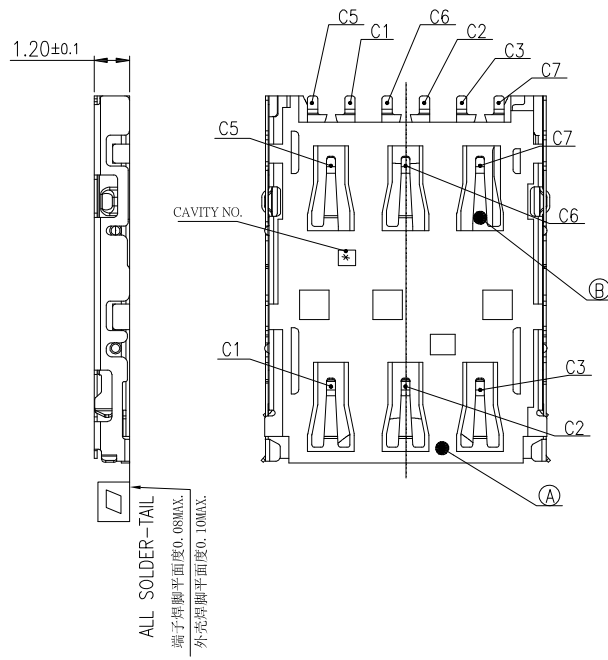
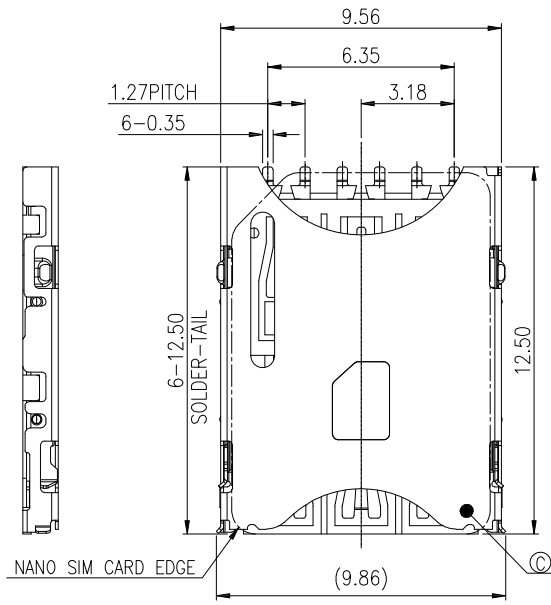
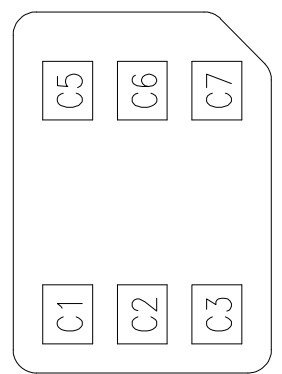
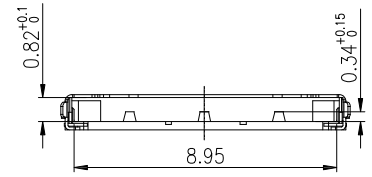


REVISION HISTORY			
REV	DESCRIPTION	Drawing	DATE
02	增加鐵殼電鍍說明	Allen	2022/04/12



RECOMMENDED P.C.B. LAYOUT
TOLERANCE (TOP VIEW) ±0.05mm



NANO SIM CARD PAD

02

NO	DESCRIPTION	QTY	MATERIAL	PLATING & COLOR
C	SHELL	1	STAINLESS STEEL,0.10T	GOLD FLASH ON SOLDER AREA 50u" MIN NICKEL UNDER-PLATED
B	CONTACT	1	COPPER ALLOY,0.10T	GOLD FLASH ON CONTACT AREA AND SOLDER AREA 50u" MIN NICKEL UNDER-PLATED
A	HOUSING	1	HIGH TEMP. THERMOPLASTIC UL 94V-0	BLACK

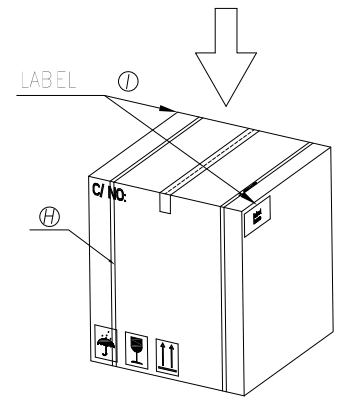
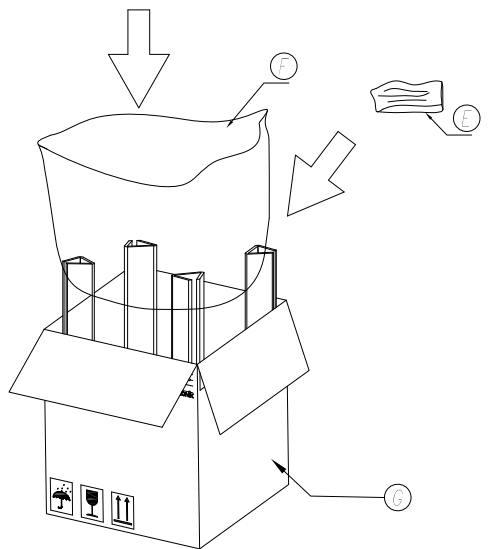
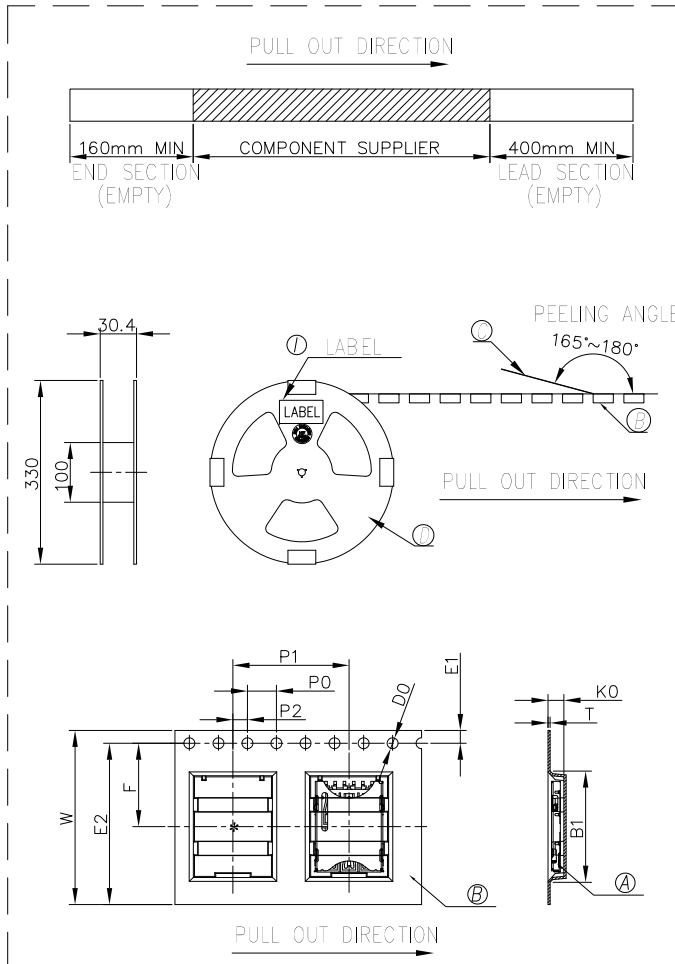
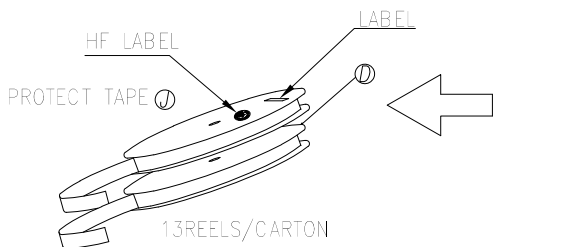
PRODUCT SPECIFICATION: DOC.No: SP-Axxxx-xx	SCALE 1 : 1	DESIGN UNITS mm
TEST REPORT DOC.No: TR-Axxxx-xx	DRAWN ALLEN	DATE 2022/03/14
GENERAL TOLERANCES (UNLESS SPECIFIED)	CHECKED	DATE
X.XXX ± 0.10	APPROVED	DATE
X.XX ± 0.25		
X.X ± 0.38		
ANGULAR ± 3°	THIRD ANGLE PROJECTION	DWG NO. SA0914-001

CHT 群匯科技股份有限公司
CHIUN HUEI Technology CO., LTD.

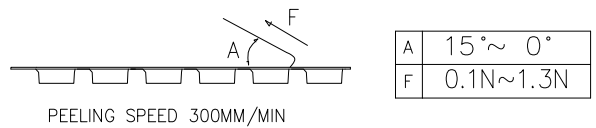
TITLE NANO SIM NON-PUSH TOP MOUNT H=1.20		
PART NO. TABLE A	DWG REV. 02	SHEET NO. 1 OF 1

TABLE	
CHT P/N	TABLE A GOLD PLATING THICKNESS
A0914-0003	Au30u
A0914-0001	G/F

REVISION HISTORY			
REV	DESCRIPTION	Drawing	DATE
01	PROPOSAL	Allen	2022/03/14



1. COVER TAPE PEELING FORCE:



2. PART DIMENSIONS MEET EIA-481-D REQUIREMENT

Item	W	E2	F	E1	Po	P1	P2	Do	Ko	T	B1	
DIM	24.00	22.25	11.50	1.75	4.00	16.00	2.00	1.50	2.20	0.30	15.33	
Tol	+0.30	+0.10	+0.10	+0.10	+0.10	+0.10	+0.10	+0.10	+0.10	+0.05	+0.10	
	-0.30	-0.10	-0.10	-0.10	-0.10	-0.10	-0.10	-0.00	-0.10	-0.05	-0.10	
J	PROTECT TAPE		See through								13PCS	
I	LABEL		L=100,W=50(WE proprietary)								15PCS	
H	STRAPPING		W=14,2PCS(proprietary)								3,2M	
G	CARTON		L=350,W=350,H=400(proprietary)								1PCS	
F	BAG		L=600,W=850								1PCS	
E	DESICCANT										1PCS	
D	REEL		PS,BLUE,A=330,B=100,W2=30.4								13PCS	
C	COVER TAPE		PET,CLEAR,W=21.3								28.6M	
B	CARRY TAPE		PS,WHITE,W=24,T=0.3,P=16								28.6M	
A	NANO SIM CONNECTOR										19500PCS	
NO	NAME		SPEC								Q'TY	

TABLE

PRODUCT P/N	PARTS PER SHIPPING CARTON	PARTS PER REEL (S.P.Q.)	TOTAL REELS PER SHIPPING CARTON	
A0914-0003	19500(PCS)	1500(PCS)	13	
A0914-0001				
PRODUCT SPECIFICATION: DGC.No: SP-AXXXX-XX TEST REPORT DGC.No: TR-AXXXX-XX GENERAL TOLERANCES (UNLESS SPECIFIED): X.XXX ± 0.10 X.XX ± 0.25 X.X ± 0.38 ANGULAR ± 3°	SCALE 1 : 1	DESIGN UNITS mm	CHT 群匯科技股份有限公司 CHIUN HUEI Technology CO., LTD.	
	DRAWN Allen	DATE 2022/03/14		TITLE NANO SIM NON-PUSH TOP MOUNT H=1.20
	CHECKED	DATE		
	APPROVED	DATE		
DWG NO. PA0914-001	PART NO. SEE TABLE	DWG REV. 01	SHEET NO. 1 OF 1	