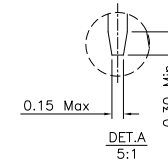
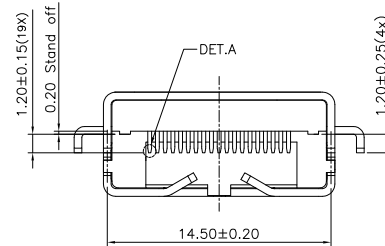
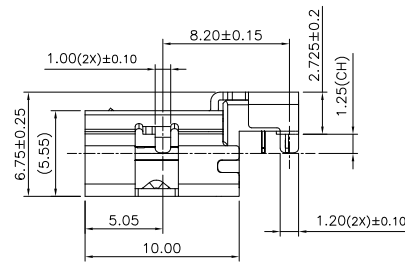
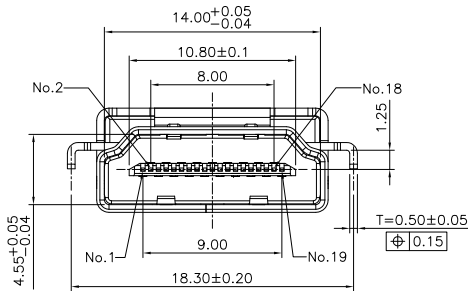
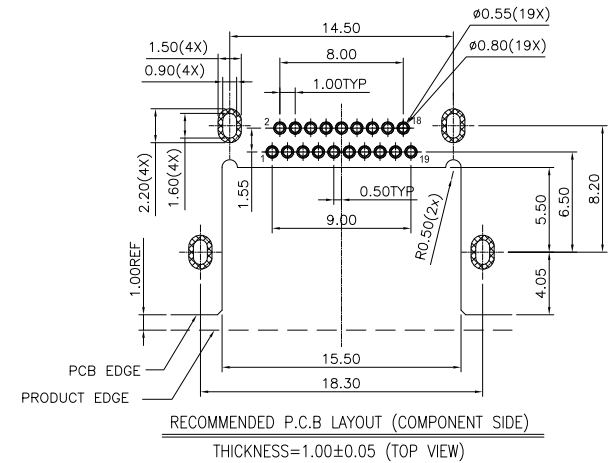
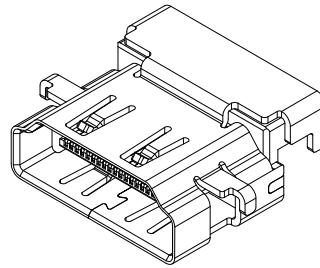
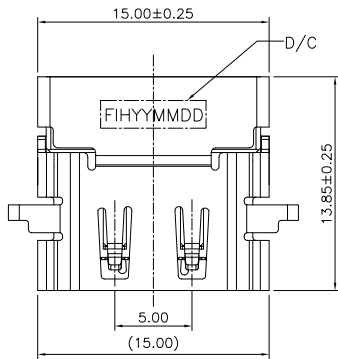
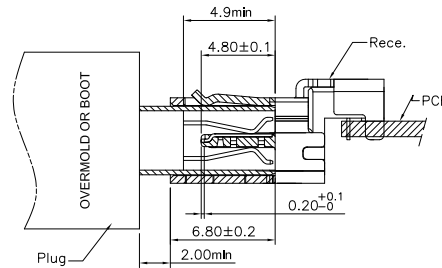
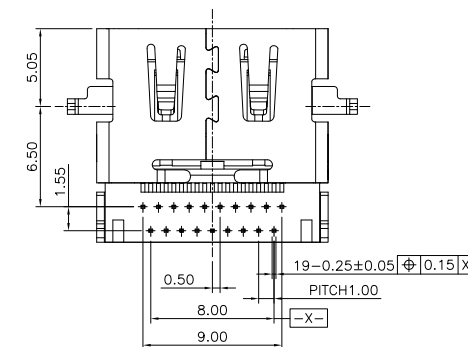


REVISION HISTORY			
REV	DESCRIPTION	Drawing	DATE
01	PROPORSAL	Mei Chen	2019/03/11



NOTES:

- MATERIAL:
 - 1.1 PLASTIC: LCP , UL 94V-0, COLOR: BLACK
 - 1.2 CONTACT: C5191
 - 1.3 SHELL: SK7
- FINISH:
 - 2.1 TERMINAL: 50u" MIN. NICKEL PLATED OVERALL
 - 2.2 CONTACT: SELECTIVE GOLD PLATED, SEE TABLE A
 - 2.3 TAIL: 100u" MATT-TIN PLATED
 - 2.4 SHELL: 50u" MIN. NICKEL PLATED OVERALL
- PRODUCT SPECIFICATION REFER TO SP-A0589-01
- PACKAGE DRAWING REFER TO PA0589-01
- PRODUCT MUST CONFORM TO ROHS AND HALOGEN FREE REQUIREMENT
- DATE CODE: XX (YEAR), XX (MONTH) ,XX (DATE), LASER



Mated Condition

TABLE

FIH P/N	TABLE A GOLD PLATING THICKNESS
A0692-0003	Au30u
A0692-0001	G/F

PRODUCT SPECIFICATION: DOC.No: SP-AXXXX-XX	SCALE 1 : 1	DESIGN UNITS mm
TEST REPORT DOC.No: TR-AXXXX-XX	DRAWN Mei Chen	DATE 2019/03/11
GENERAL TOLERANCES (UNLESS SPECIFIED)	CHECKED	DATE
X.XXX ± 0.10		
X.XX ± 0.15		
X.X ± 0.20		
ANGULAR ± 3°	APPROVED	DATE
THIRD ANGLE PROJECTION	DWG NO. SA0692-001	

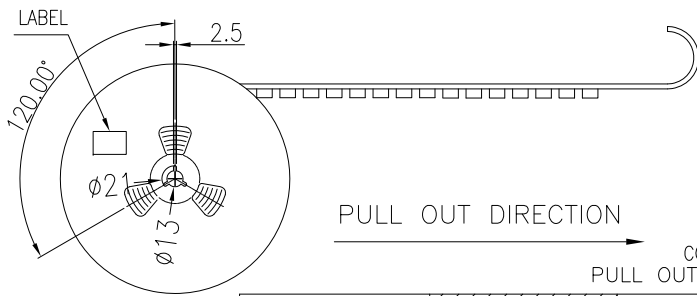
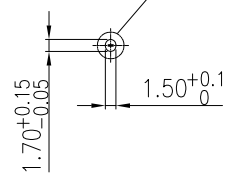
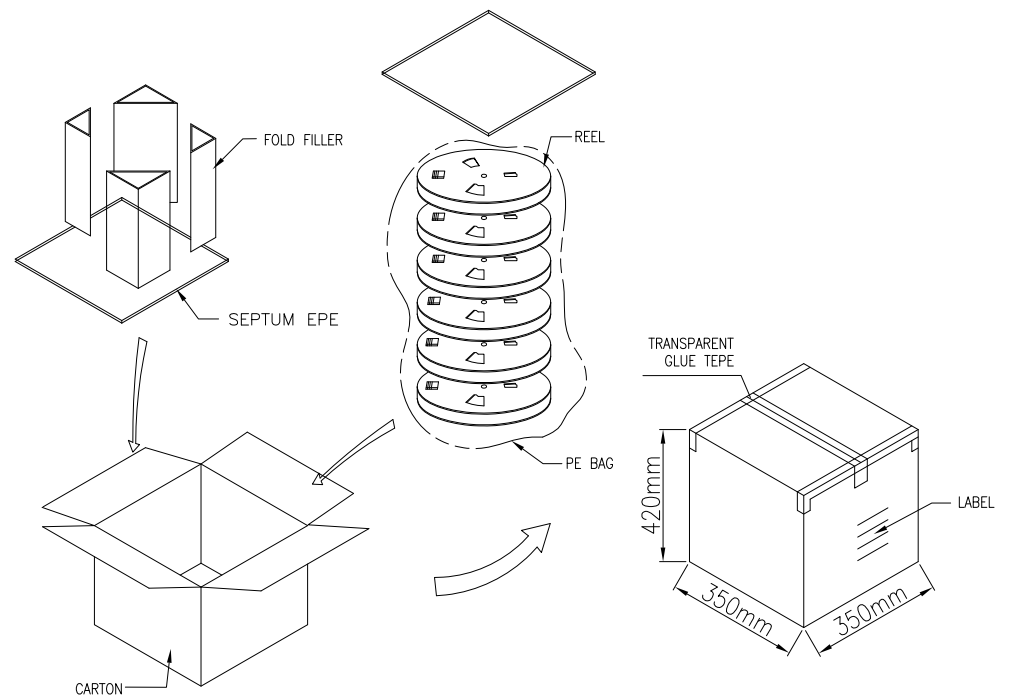
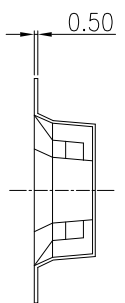
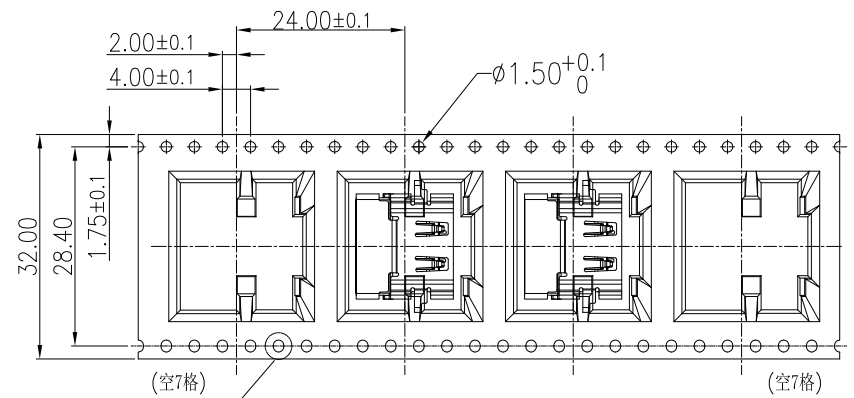
FULLINHOPE Technology, LTD.

HDMI AF R/A DIP RVS TYPE
CH= -1.25

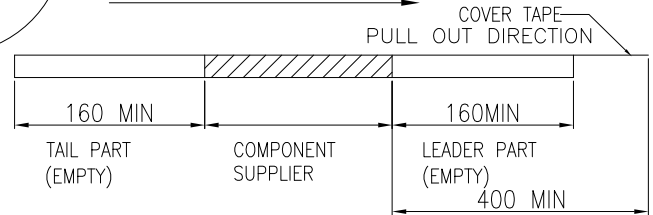
PART NO. TABLE A	DWG REV. 01	SHEET NO. 1 OF 1
---------------------	----------------	---------------------

REVISION HISTORY			
REV	DESCRIPTION	Drawing	DATE
01	PROPOSAL	Mei Chen	2019/03/11

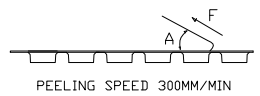
INPUT MATERIAL DIRECTION →



PULL OUT DIRECTION →



1. COVER TAPE PEELING FORCE:



A	15°~ 0°
F	0.1N~1.3N

2. PART DIMENSIONS MEET EIA-481-2-A REQUIREMENT

TABLE

PRODUCT P/N	PARTS PER SHIPPING CARTON	PARTS PER REEL	LOADED REEL PER SHIPPING CARTON
A0692-0003	3500	350	10
A0692-0001			

PRODUCT SPECIFICATION: DOC.No: SP-AXXXX-001	SCALE 1 : 1	DESIGN UNITS mm
TEST REPORT DOC.No: TR-AXXXX-001	DRAWN Mei Chen	DATE 2019/03/11
GENERAL TOLERANCES (UNLESS SPECIFIED)	CHECKED	DATE
X.XXX ± 0.20	APPROVED	DATE
X.XX ± 0.20		
X.X ± 0.25		
ANGULAR ± 3°		
THIRD ANGLE PROJECTION	DWG NO. PA0692-001	PART NO. SEE TABLE

FULLINHOPE Technology, LTD.		
TITLE HDMI AF R/A DIP RVS TYPE CH=-1.25		
DWG REV. 01	SHEET NO. 1 OF 1	