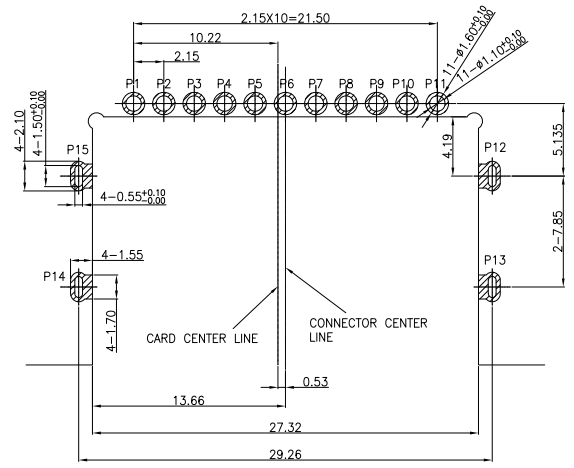
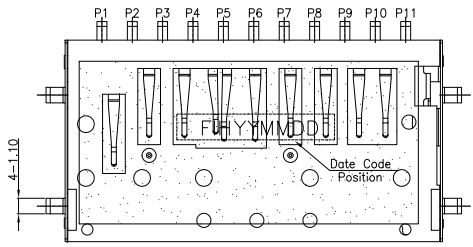
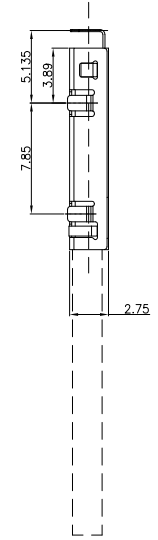
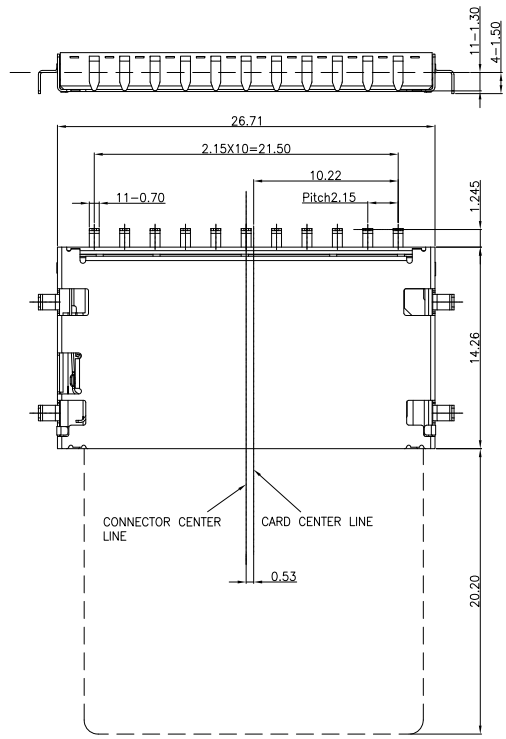


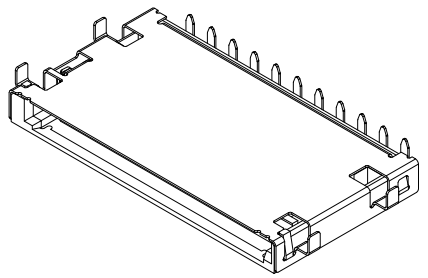
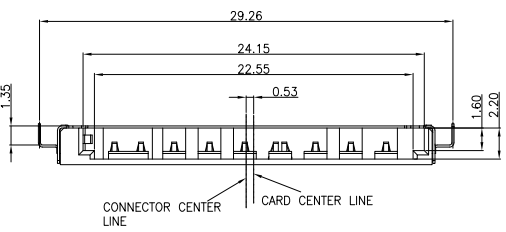
REVISION HISTORY			
REV	DESCRIPTION	Drawing	DATE
01	PROPOSAL	Allen	2020/09/11

NOTES:
MATERIAL:
1. INSULATOR: HIGH TEMPERATURE THERMOPLASTIC, UL 94V-0
2. TERMINAL: COPPER ALLOY
3. SHELL: STAINLESS STEEL



RECOMMEND P.C.B LAYOUT TOLERANCE ±0.05

▨ PAD
▩ No trace, no test point, no via hole, no ground area



Pin Define		
Connector Pin No.	SD Card Pin No.	Pin Define
P1	P9	DAT2
P2	P1	DAT3
P3	P2	CMD
P4		CD
P5	P3	VSS1
P6	P4	VDD
P7	P5	CLK
P8	P6	VSS2
P9	P7	DAT0
P10	P8	DAT1
P11		W/P
P12~P15		GND

TABLE

FIH P/N	TABLE A GOLD PLATING THICKNESS
A0843-0003	Au 30u'
A0843-1=0001	G/F

PRODUCT SPECIFICATION: DOC.No: SP-AXXXX-XX	SCALE 1 : 1	DESIGN UNITS mm
TEST REPORT DOC.No: TR-AXXXX-XX	DRAWN Allen	DATE 2020/09/11
GENERAL TOLERANCES (UNLESS SPECIFIED)	CHECKED	DATE
X.XXX ± 0.10		
X.XX ± 0.20		
X.X ± 0.35	APPROVED	DATE
ANGULAR ± 3°	DWG NO. SA0843-001	PART NO. A0843-0001
THIRD ANGLE PROJECTION	DWG REV. 01	SHEET NO. 1 OF 1

FULLINHOPE Technology, LTD.

TITLE

SD CARD, RVS, SINK, H2.75