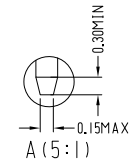
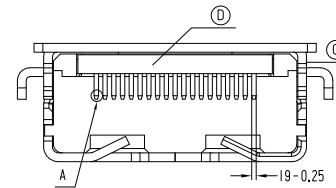
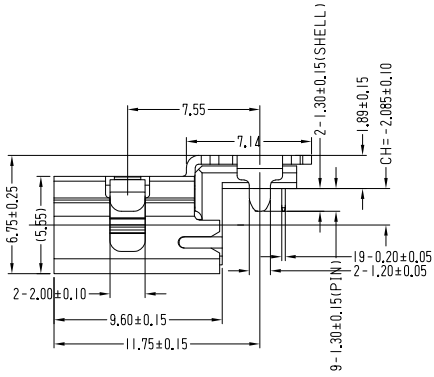
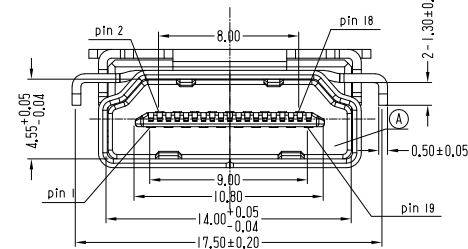
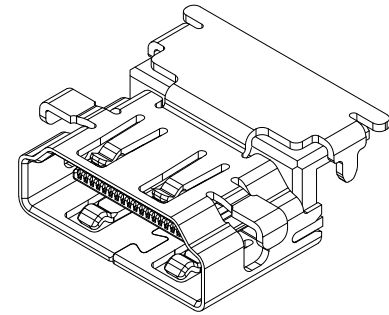
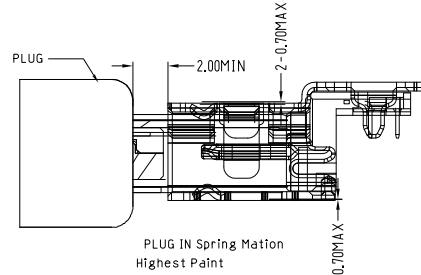
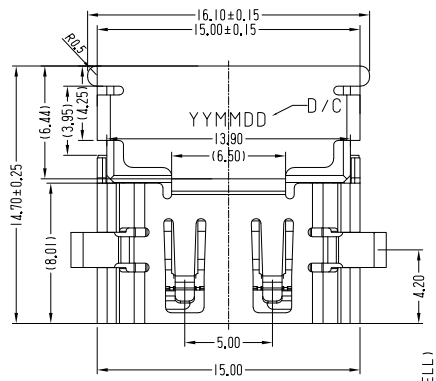
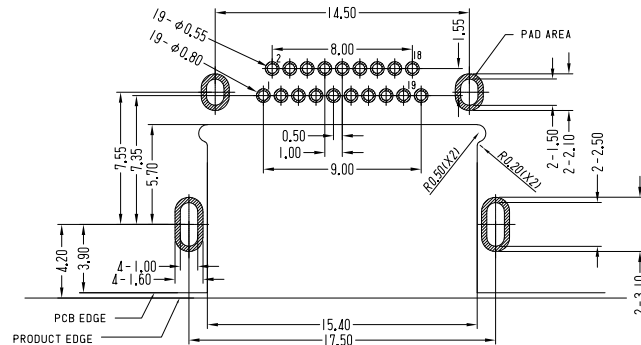
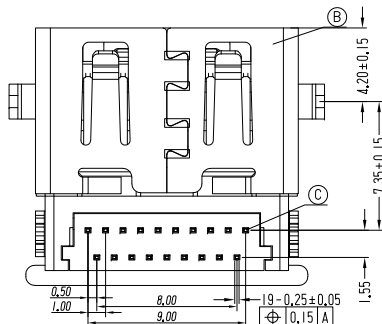


REVISION HISTORY			
REV	DESCRIPTION	Drawing	DATE
01	PROPOSAL	Allen	2021/03/24



PIN ASSIGNMENTS

PIN NUMBER	SIGNAL NAME
1	TMDS Data2+
2	TMDS Data2 Shield
3	TMDS Data2-
4	TMDS Data1+
5	TMDS Data1 Shield
6	TMDS Data1-
7	TMDS Data0+
8	TMDS Data0 Shield
9	TMDS Data0-
10	Data3+
11	Data3 Shield
12	Data3-
13	CEC
14	Utility
15	SCL
16	SDA
17	DDC/CEC Ground
18	+5V Power
19	Hot Plug Detect



RECOMMENDED PCB LAYOUT VIEW
(THICKNESS=1.2±0.10mm)
(TOLERANCE=±0.05mm)

ITEM	PART	Q'TY	MATERIAL	COLOR/PLATED
D	HOUSING	1	LCP	BLACK
C	CONTACT	19	C5191	GOLD(SEE P/N) ON CONTACT AREA, MATTE-TIN 120u" ON SOLDER ALL OVER 50u" NI
B	SHELL	1	SPCC	Ni 40u" 60u"
A	HOUSING	1	LCP	BLACK

TABLE

FIH P/N	TABLE A GOLD PLATING THICKNESS
A0872-0003	Au 30u"
A0872-0001	G/F

PRODUCT SPECIFICATION: DOC.No: SP-AXXX-XX TEST REPRD DOC.No: TR-AXXX-XX	SCALE 1 : 1	DESIGN UNITS mm
GENERAL TOLERANCES (UNLESS SPECIFIED)	DRAWN Allen	DATE 2021/03/24
X.XXX ± 0.20	CHECKED	DATE
X.XX ± 0.20	APPROVED	DATE
X.X ± 0.25		
ANGULAR ± 3°	DWG NO. SA0872-001	PART NO. SEE TABLE
THIRD ANGLE PROJECTION		DWG REV. 01
		SHEET NO. 1 OF 1

FULLINHO Technology, LTD.

HDMI A TYPE RECEPTACLE
REVERSE SINK CH=-2.085mm