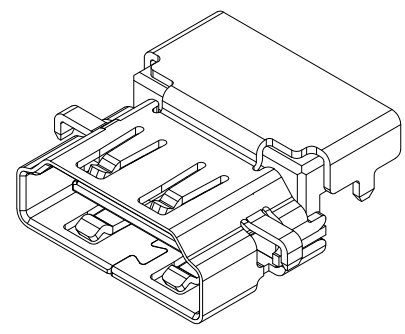
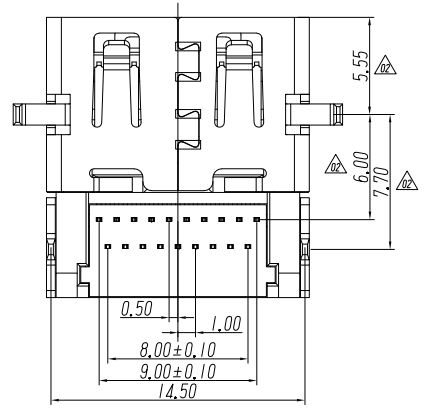
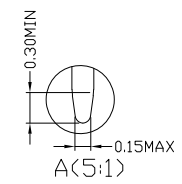
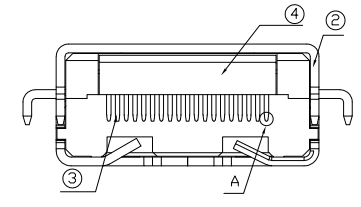
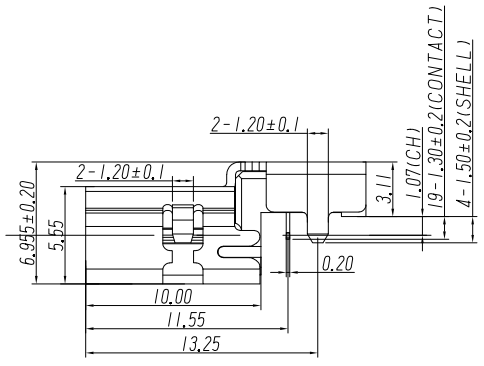
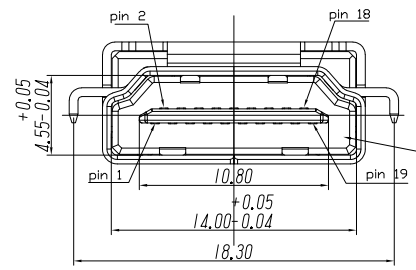
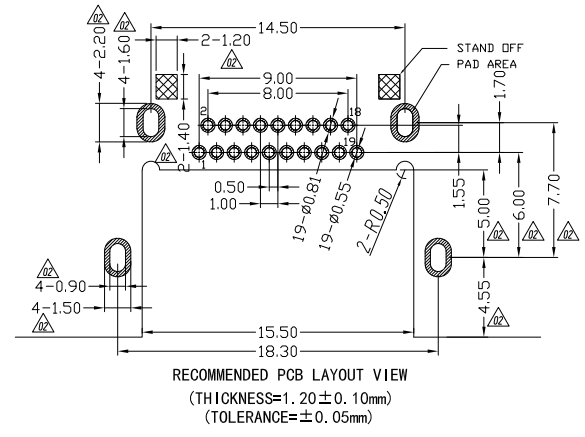
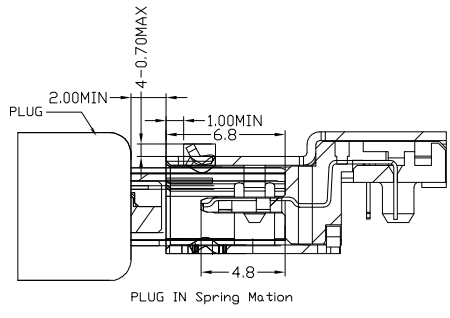
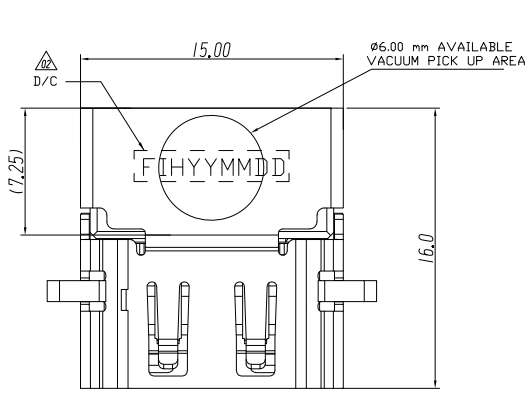


REVISION HISTORY			
REV	DESCRIPTION	Drawing	DATE
02	修改尺寸	Allen	2021/12/09



3D VIEW

ITEM	PART	Q'TY	MATERIAL	COLOR/PLATED
4	COVER	1	LCP	BLACK
3	CONTACT	19	C2680	GOLD (SEE P/N) ON CONTACT AREA, MATTE-TIN 80u"min ON SOLDER ALL OVER 50u" Ni min
2	SHELL	1	SPCC	Ni 50u" min
1	HOUSING	1	LCP	BLACK

TABLE

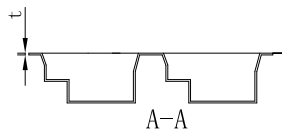
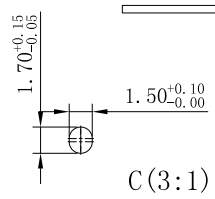
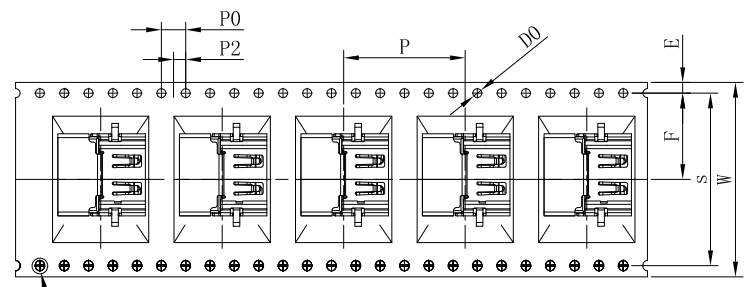
FIH P/N	TABLE A GOLD PLATING THICKNESS
A0900-0005	Au 5u"
A0900-0003	Au 30u"
A0900-0001	G/F

PRODUCT SPECIFICATION: DOC.No: SP-AXXXX-XX TEST REPORT DOC.No: TR-AXXXX-XX	SCALE 1 : 1	DESIGN UNITS mm
GENERAL TOLERANCES (UNLESS SPECIFIED)	DRAWN Allen	DATE 2021/12/03
X.XXX ± 0.20	CHECKED	DATE
X.XX ± 0.20	APPROVED	DATE
X.X ± 0.30		
ANGULAR ± 3°	DWG NO. SA0900-001	PART NO. SEE TABLE
THIRD ANGLE PROJECTION		DWG REV. 02
		SHEET NO. 1 OF 1

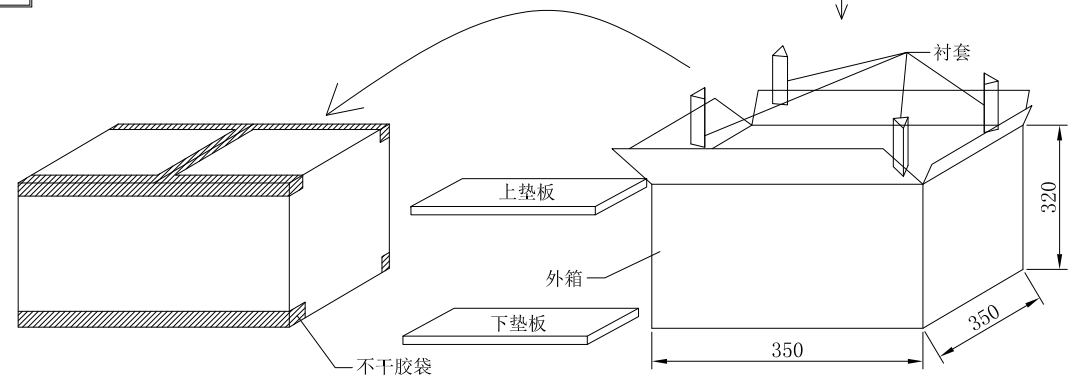
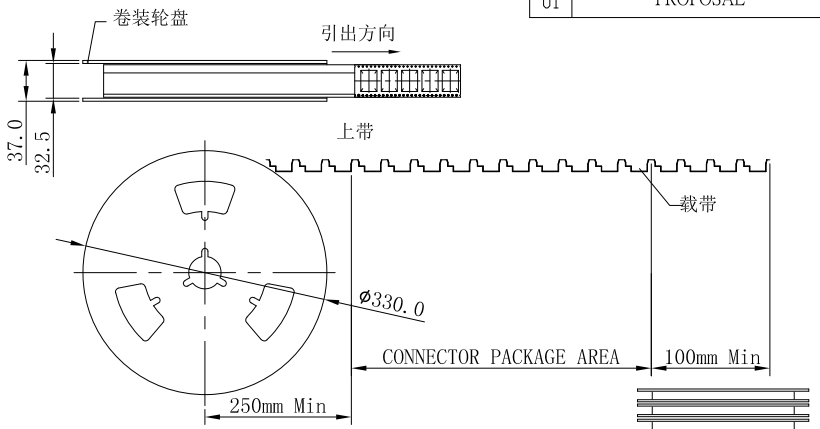
FULLINHOPE Technology, LTD.

TITLE
HDMI A TYPE RECEPTACLE
REVERSE SINK CH=-1.07mm

REVISION HISTORY			
REV	DESCRIPTION	Drawing	DATE
01	PROPOSAL	Allen	2021/12/09

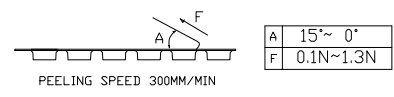


卷装示意图仅供参考



尺寸栏	
E	1.75±0.10
F	14.20±0.10
S	28.40±0.10
P2	2.00±0.10
φDo	1.50±0.10 0.00
Po	4.00±0.10
W	32.00±0.30
P	24.00±0.10
t	0.40±0.05

1. COVER TAPE PEELING FORCE:



2. PART DIMENSIONS MEET EIA-481-2-D REQUIREMENT

PRODUCT P/N	PARTS PER SHIPPING CARTON	PARTS PER REEL	LOADED REEL PER SHIPPING CARTON
A0900-0005	2800	350	8
A0900-0003			
A0900-0001			

PRODUCT SPECIFICATION: DOC.No: SP-AXXXX-001	SCALE 1 : 1	DESIGN UNITS mm	FULLINHOPE Technology, LTD.		
TEST REPORT DOC.No: TR-AXXXX-001	DRAWN Allen	DATE 2021/12/09			TITLE
GENERAL TOLERANCES (UNLESS SPECIFIED)	CHECKED	DATE			HDMI A TYPE RECRPTACLE REVERSE SINK CH=- 1.07mm
X.XXX ± 0.20 X.XX ± 0.20 X.X ± 0.25	APPROVED	DATE			
ANGULAR ± 3°	THIRD ANGLE PROJECTION	DWG NO. PA0900-001	PART NO. SEE TABLE	DWG REV. 01	SHEET NO. 1 OF 1