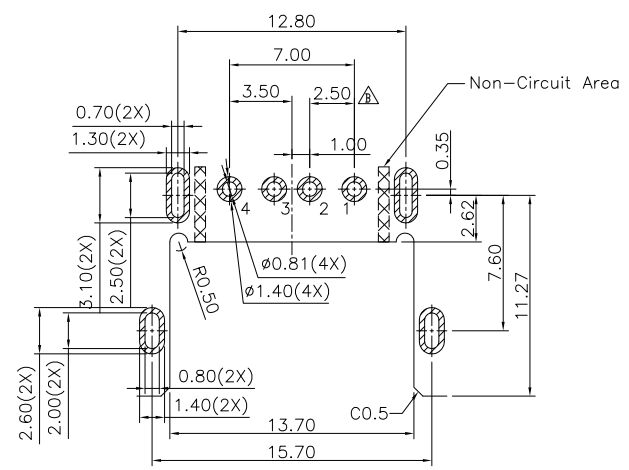
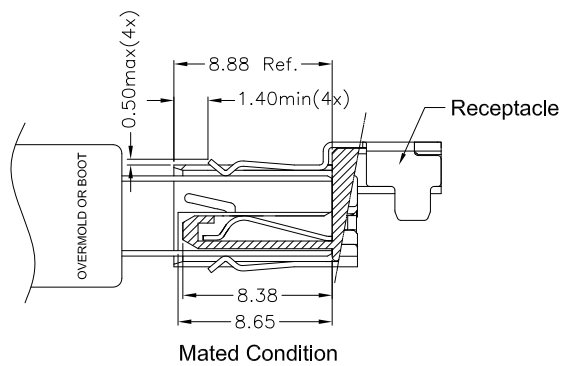
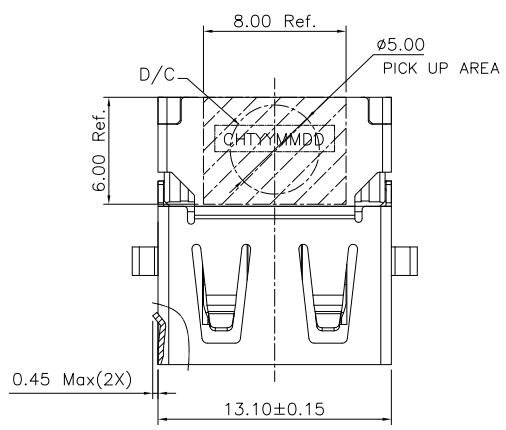
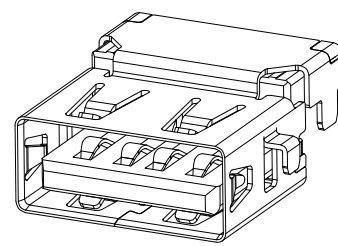
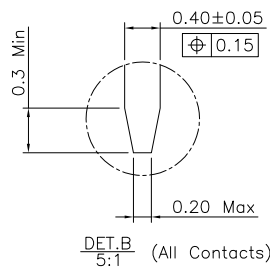
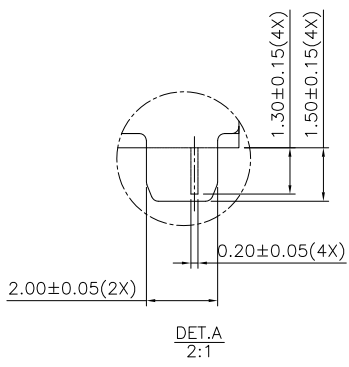
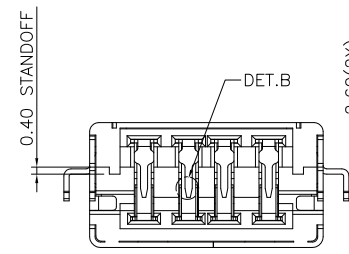
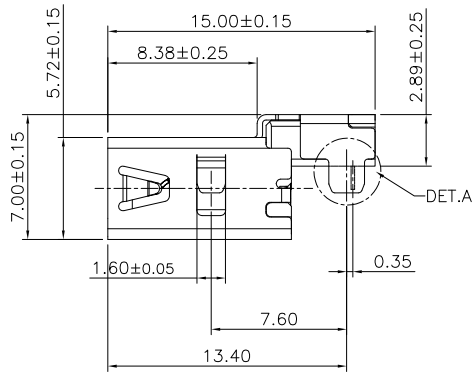
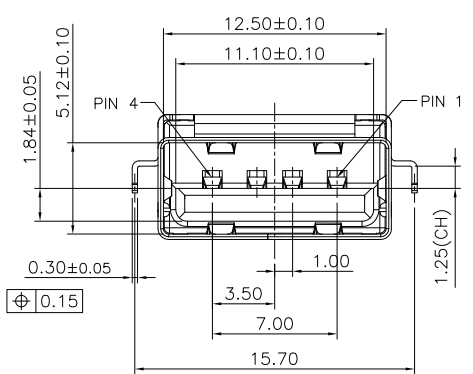


REVISION HISTORY			
REV	DESCRIPTION	Drawing	DATE
A	RELEASE	Sandy	2018/10/30
B	Layout 加標註尺寸	Mei Chen	2019/01/31



RECOMMENDED PCB LAYOUT (TOP VIEW)  
GENERAL TOLERANCES: ±0.05 (t=1.2)



- NOTE:
- MATERIAL:
    - 1.1 INSULATOR: HIGH TEMPERATURE THERMOPLASTIC, UL94V-0, COLOR: BLACK
    - 1.2 CONTACT: COPPER ALLOY.
    - 1.3 SHELL: STAINLESS
  - FINISH:
    - 2.1 TERMINAL: 50u" MIN. NICKEL PLATED OVERALL
    - 2.2 CONTACT: SELECTIVE GOLD PLATED, SEE TABLE A
    - 2.3 TAIL: 100u" MIN MATT-TIN PLATED
    - 2.4 SHELL: 80u" MIN. NICKEL PLATED OVERALL
  - PRODUCT SPECIFICATION REFER TO SP-A0564-01
  - PACKAGE DRAWING REFER TO PA0564-01
  - PRODUCT MUST CONFORM TO RoHS AND HALOGEN FREE REQUIREMENT

TABLE

FIH P/N	TABLE A GOLD PLATING THICKNESS
A0578-0003	Au30u
A0578-0001	G/F

Contact Number	Signal Name
PIN1	VBUS
PIN2	D-
PIN3	D+
PIN4	GND
Shell	Shield

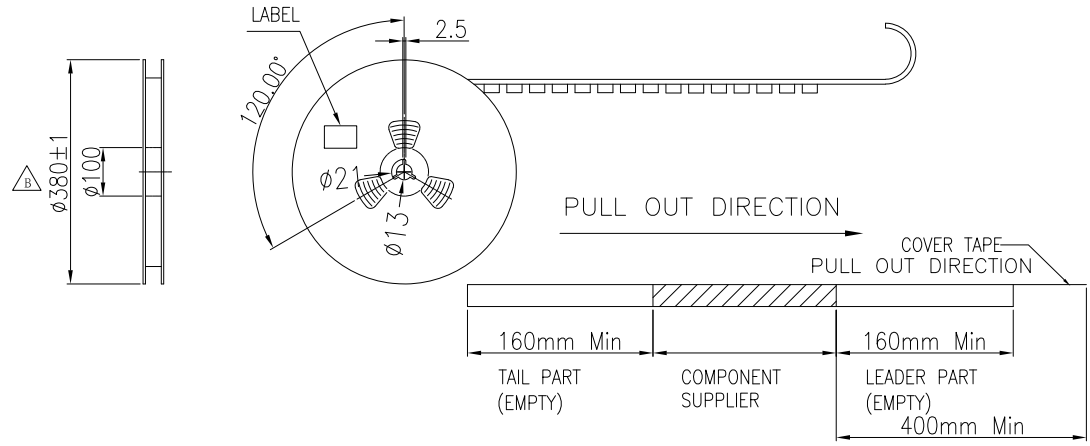
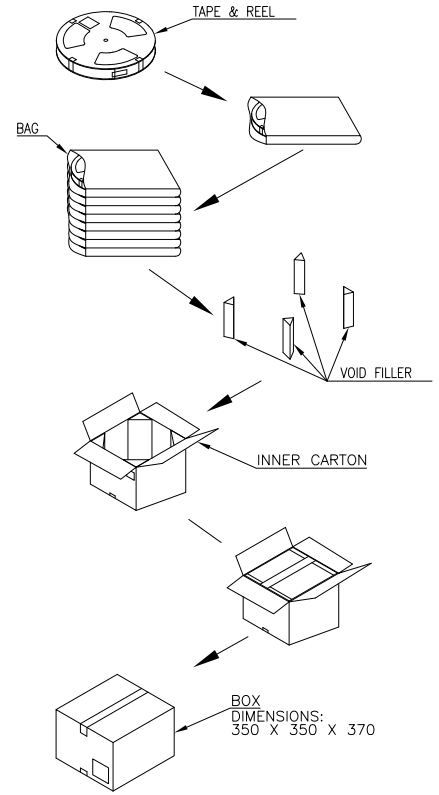
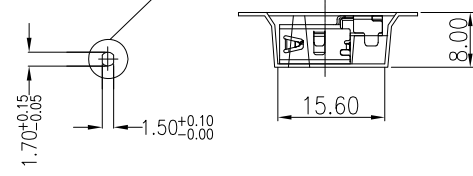
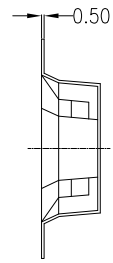
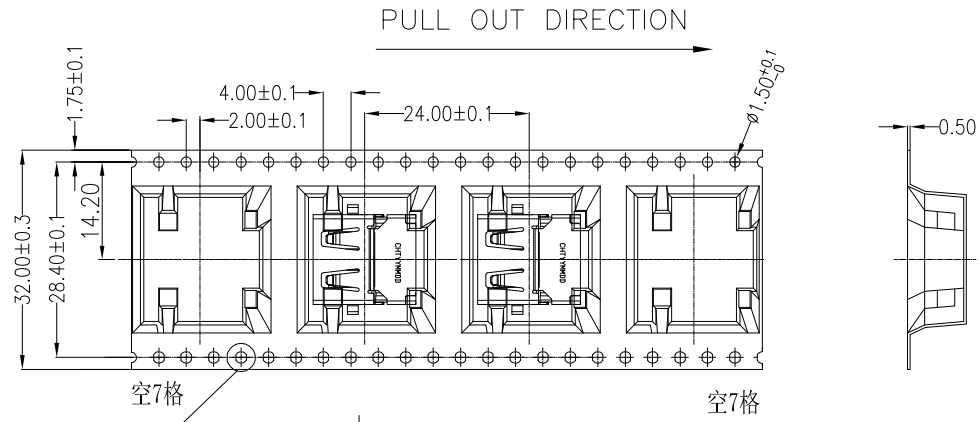
PRODUCT SPECIFICATION: DDC.No: SP-A0564-001	SCALE 1 : 1	DESIGN UNITS mm
TEST REPORT DDC.No: TR-A0564-001	DRAWN Mei Chen	DATE 2018/04/23
GENERAL TOLERANCES (UNLESS SPECIFIED)	CHECKED	DATE
ANGULAR ± 3°	APPROVED	DATE
THIRD ANGLE PROJECTION	DWG NO. SA0578-001	PART NO. SEE TABLE

**CHT** 群匯科技股份有限公司  
CHIUN HUEI Technology CO., LTD.

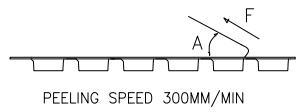
TITLE  
USB2.0 AF R/A DIP RVS TYPE  
CH= -1.25

PART NO. SEE TABLE	DWG REV. B	SHEET NO. 1 OF 1
-----------------------	---------------	---------------------

REVISION HISTORY			
REV	DESCRIPTION	Drawing	DATE
B	工廠變更包裝膠盤尺寸及數量	Linda	2019/08/26



1. QUANTITY: 350 PCS
2. COVER TAPE PEELING FORCE:



A	15°~ 0°
F	0.1N~1.3N

3. PART DIMENSIONS MEET EIA-481-D REQUIREMENT

PRODUCT P/N	PARTS PER SHIPPING CARTON	PARTS PER REEL	LOADED REEL PER SHIPPING CARTON
<b>A0578-0003</b>	<b>5000</b>	<b>500</b>	<b>10</b>
<b>A0578-0001</b>			

PRODUCT SPECIFICATION: DOC.No: SP-Axxxx-001	SCALE 1 : 1	DESIGN UNITS mm
TEST REPORT DOC.No: TR-Axxxx-001	DRAWN Linda	DATE 2019/08/26
GENERAL TOLERANCES (UNLESS SPECIFIED)	CHECKED Mei	DATE 2019/08/26
X.XXX ± 0.20	APPROVED TJ	DATE 2019/08/26
X.XX ± 0.20		
X.X ± 0.25		
ANGULAR ± 3°		
THIRD ANGLE PROJECTION	DWG NO. PA0578-001	PART NO. SEE TABLE

<b>CHT</b> 群匯科技股份有限公司 CHIUN HUEI Technology CO., LTD.		
TITLE USB2.0 AF R/A DIP RVS TYPE CH= -1.25		
PART NO. SEE TABLE	DWG REV. B	SHEET NO. 1 OF 1