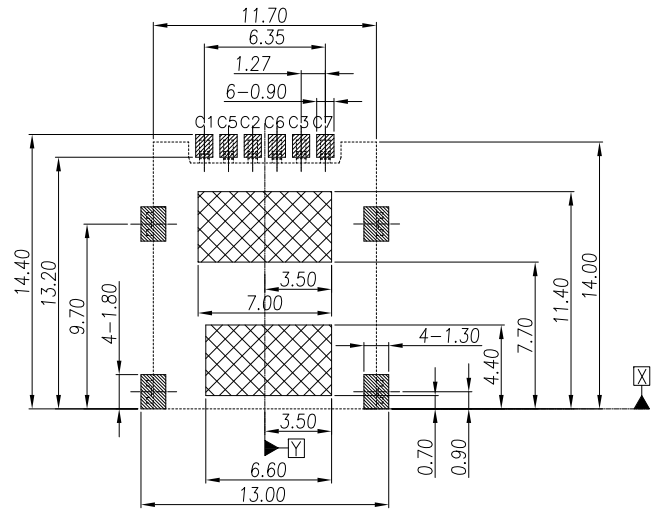
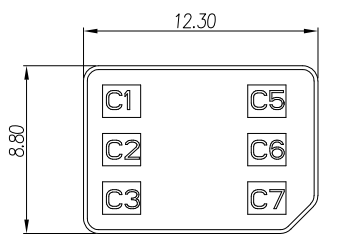
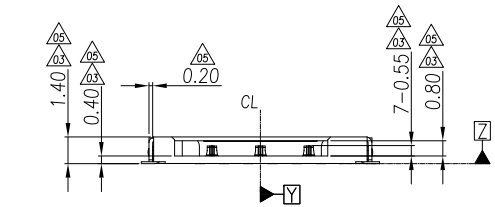
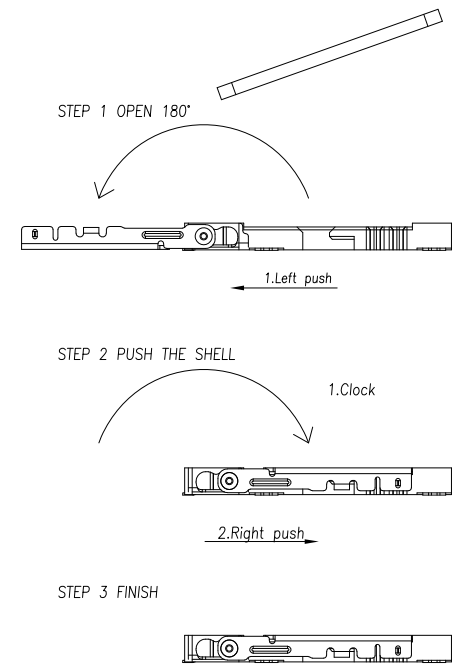
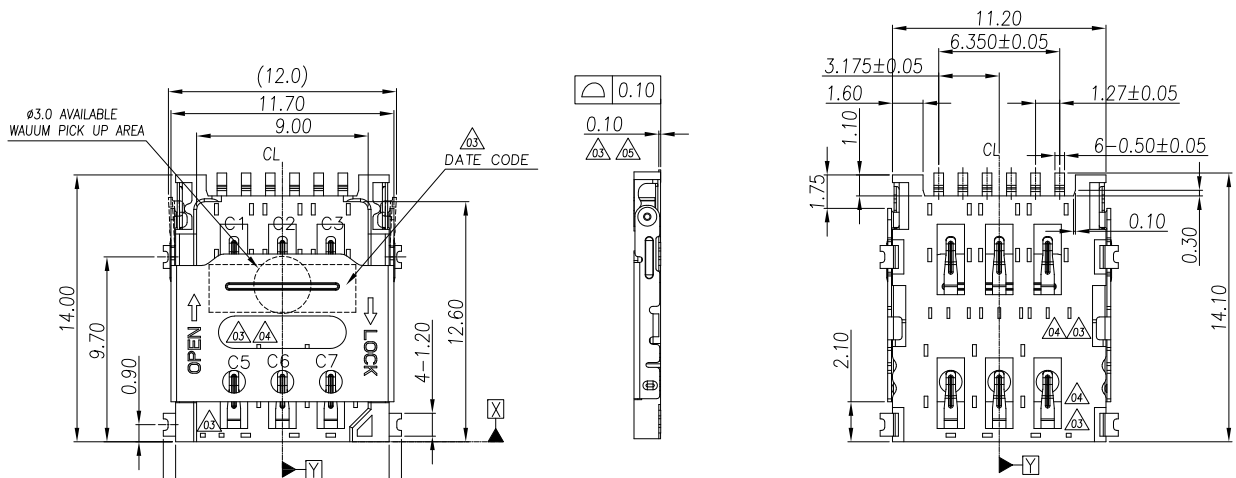


REVISION HISTORY			
REV	DESCRIPTION	Drawing	DATE
05	尺寸修改	Allen	2020/12/08



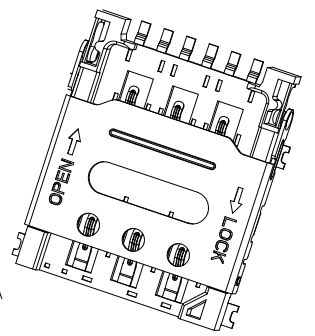
NOTES:

- PAD AREA
- OTHER COMPONENT KEEP-OUT AREA
- VIP AND TRACR KEEP-OUT AREA STAND OFF AREA (禁止擺件)
- GND ONLY

RECOMMENDED PCB LAYOUT
TOLERANCE ±0.05
SMT SOLDER AREA

NOTE:

- MATERIAL:
 - INSULATOR: HIGH-TEMPERATURE THERMOPLASTIC, UL94V-0
 - CONTACT: COPPER ALLOY.
 - SHELL: SUS.
- FINISH:
 - CONTACT: 50μ" MIN. NICKEL PLATED OVERALL SELECTIVE GOLD PLATED, SEE TABLE A
 - SHELL: 30μ" MIN. NICKEL PLATED OVERALL
- PRODUCT SPECIFICATION REFER TO SP-A0797-01
- PACKAGE DRAWING REFER TO PA0797-01
- PRODUCT MUST CONFORM TO RoHS AND HALOGEN FREE REQUIREMENT



PIN NO.	PIN NAME	PIN TYPE
C1	VCC	POWER
C2	RST	
C3	CLK	
C5	GND	POWER
C6	VPP	
C7	I/O	BIDIRECTIONAL

TABLE

FIH P/N	TABLE A GOLD PLATING THICKNESS
A0797-0003	Au 30μ"
A0797-0001	G/F

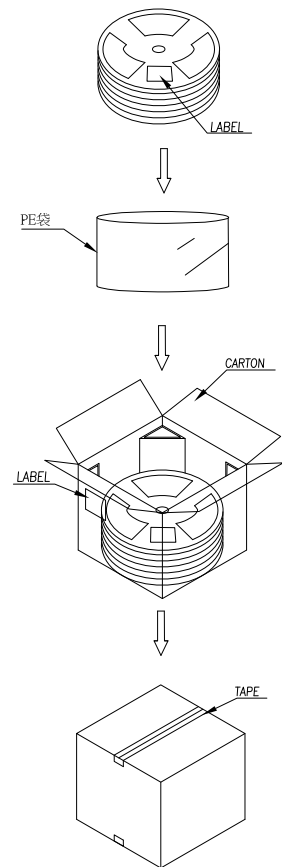
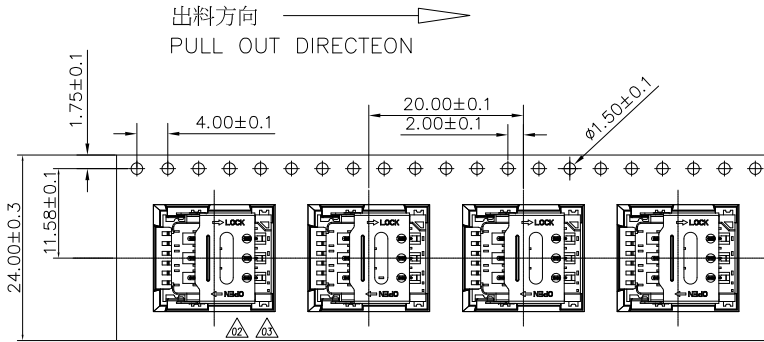
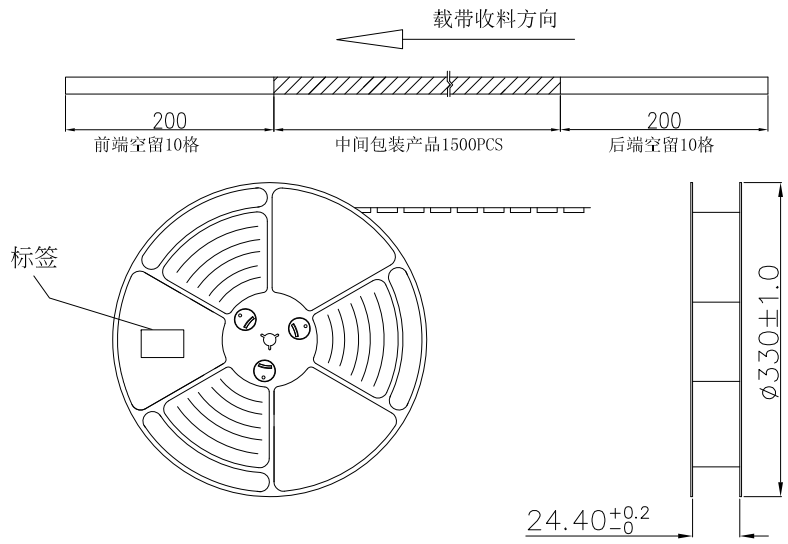
PRODUCT SPECIFICATION: DOC.No: SP-A0797-01 TEST REPORT DOC.No: TR-A0797-01	SCALE 1 : 1	DESIGN UNITS mm
GENERAL TOLERANCES (UNLESS SPECIFIED)	DRAWN Allen	DATE 2020/01/10
X.XXX ± 0.10	CHECKED	DATE
X.XX ± 0.25	APPROVED	DATE
X.X ± 0.35		
ANGULAR ± 3°	DWG NO. SA0797-001	
THIRD ANGLE PROJECTION		

CHT 群匯科技股份有限公司
CHUIN HUEI Technology CO., LTD.

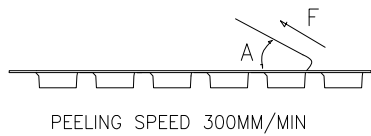
TITLE
NANO SIM 1.40H HINGE TYPE

PART NO. TABLE A	DWG REV. 05	SHEET NO. 1 OF 1
---------------------	----------------	---------------------

REVISION HISTORY			
REV	DESCRIPTION	Drawing	DATE
04	修改TITLE說明	Allen	2020/12/08



1. COVER TAPE PEELING FORCE:



A	$15^{\circ} \sim 0^{\circ}$
F	$0.1N \sim 1.3N$

2. PART DIMENSIONS MEET EIA-481-D REQUIREMENT

PRODUCT P/N	PARTS PER SHIPPING CARTON	PARTS PER REEL (S.P.Q.)	TOTAL REELS PER SHIPPING CARTON
A0797-0003	15000(PCS)	1500(PCS)	10
A0797-0001			
PRODUCT SPECIFICATION: DDC.No: SP-AXXXX-XX TEST REPORT DDC.No: TR-AXXXX-XX	SCALE 1 : 1	DESIGN UNITS mm	CHT 群匯科技股份有限公司 CHIUN HUEI Technology CO., LTD. TITLE NANO SIM 1.40H HINGE TYPE
GENERAL TOLERANCES (UNLESS SPECIFIED)	DRAWN Allen	DATE 2020/01/10	
X.XXX ± 0.10	CHECKED	DATE	
X.XX ± 0.25	APPROVED	DATE	
X.X ± 0.38	ANGULAR ± 3°		
THIRD ANGLE PROJECTION	DWG NO. PA0797-001	PART NO. SEE TABLE	DWG REV. 04
			SHEET NO. 1 OF 1