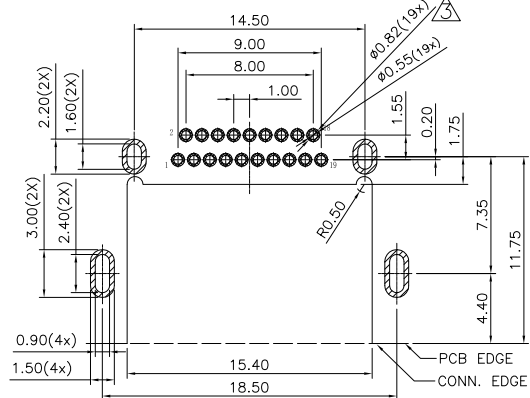
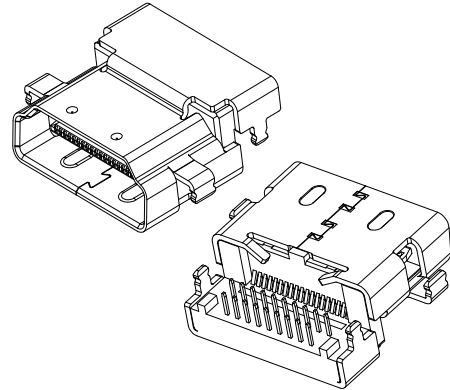
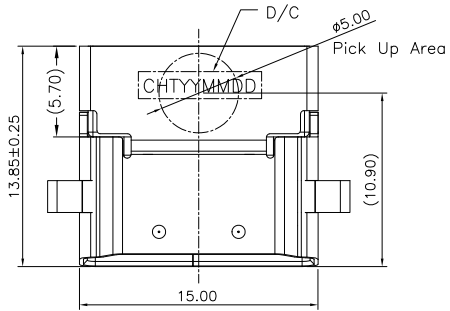
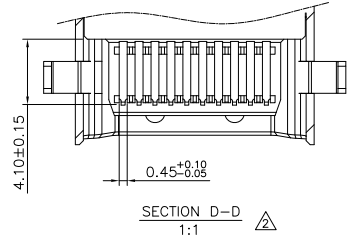
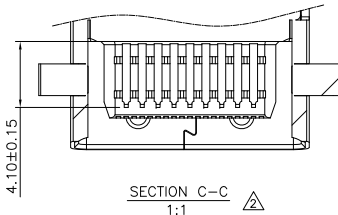
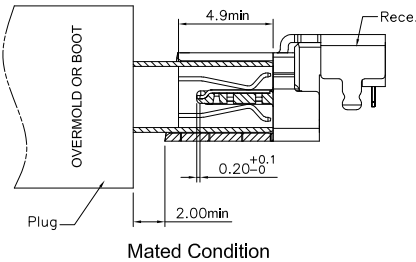
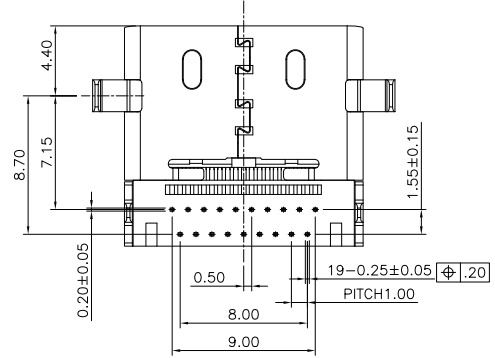
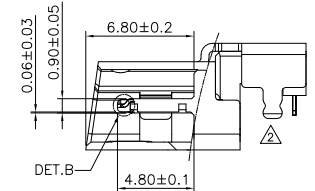
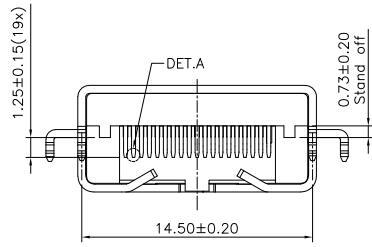
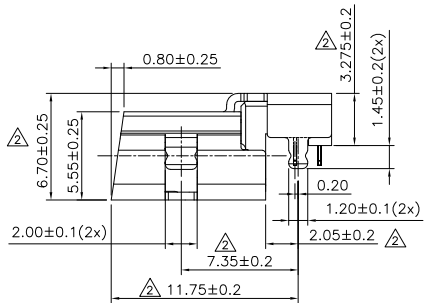
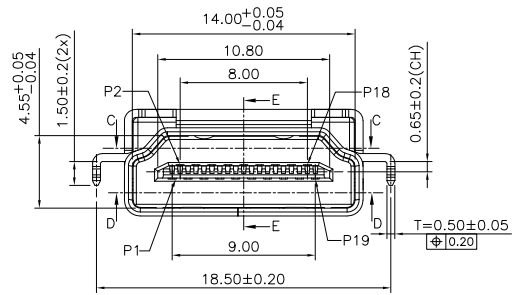
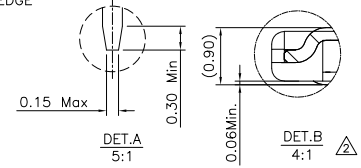


REVISION HISTORY			
REV	DESCRIPTION	Drawing	DATE
03	修改PCB Layout尺寸	Allen	2022/05/11



RECOMMENDED P.C.B LAYOUT (COMPONENT SIDE)
THICKNESS=1.20±0.05 (TOP VIEW)

NOTE:
 1. MATERIAL:
 1.1 HOUSING: LCP+30% G.F
 UL94V-0, COLOR: BLACK
 1.2 CONTACT: C2680.
 1.3 SHELL: SK7.
 2. FINISH:
 2.1 CONTACT: GOLD (SEE TABLE) PLATED ON CONTACT AREA
 100u" MIN. MATT TIN PLATED ON SOLDERTAILS
 50u" MIN. NICKEL UNDERPLATED OVER ALL.
 2.2 SHELL: 50u" MIN. NICKEL UNDERPLATED OVER ALL.



TABLE

CHT P/N	TABLE A GOLD PLATING THICKNESS
A0918-0003	Au 30u"
A0918-0001	G/F

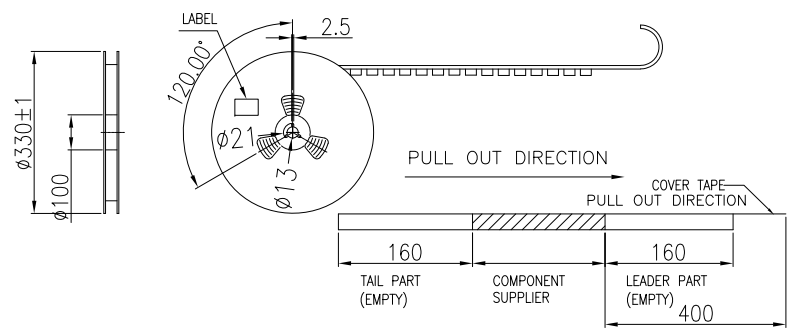
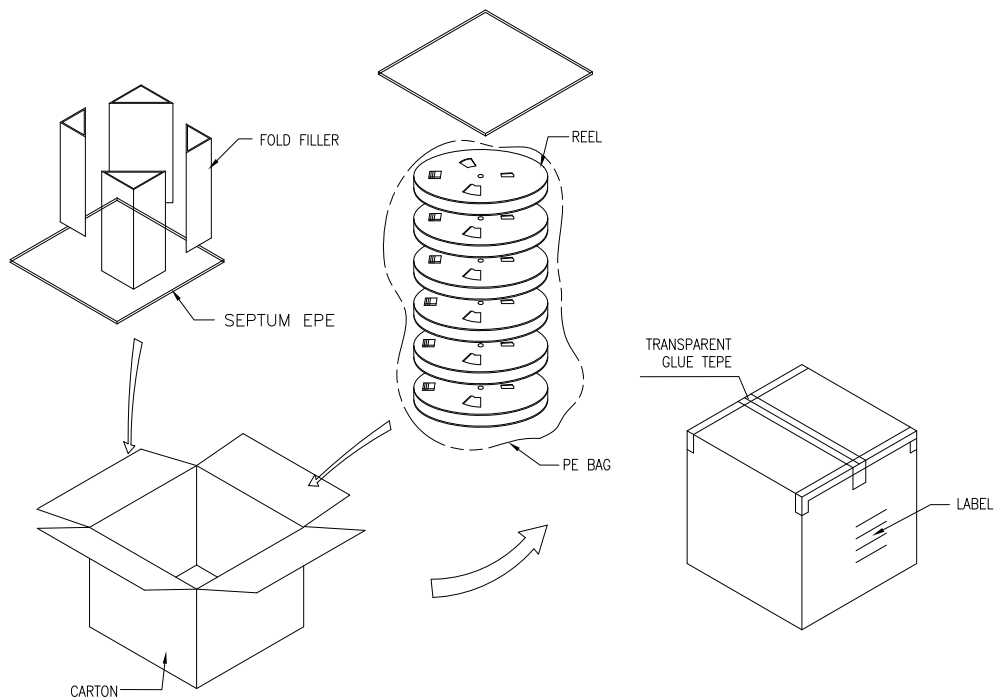
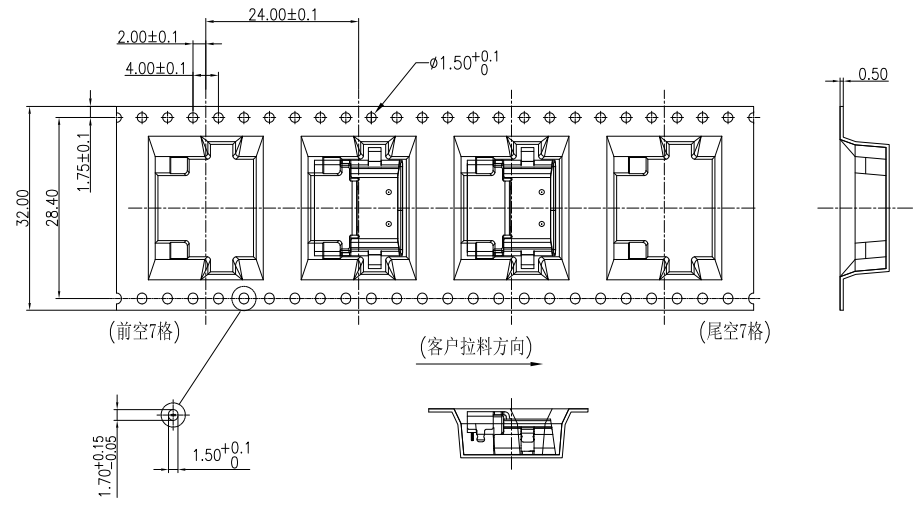
PRODUCT SPECIFICATION: DOC.No: SP-AXXXX-XX	SCALE 1 : 1	DESIGN UNITS mm
TEST REPORT DOC.No: TR-AXXXX-XX	DRAWN Allen	DATE 2022/04/15
GENERAL TOLERANCES (UNLESS SPECIFIED)	CHECKED DATE	APPROVED DATE
X.XXX ± 0.10		
X.XX ± 0.25		
X.X ± 0.38		
ANGULAR ± 3°		
THIRD ANGLE PROJECTION	DWG NO. SA0918-001	

CHT 群匯科技股份有限公司
 CHIUN HUEI Technology CO., LTD.

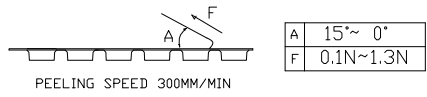
TITLE
 HDMI A TYPE RECEPTACLE REVERSE
 SINK CH = -0.65

PART NO. TABLE A	DWG REV. 03	SHEET NO. 1 OF 1
---------------------	----------------	---------------------

REVISION HISTORY			
REV	DESCRIPTION	Drawing	DATE
01	PROPOSAL	ALLEN	2022/04/19



1. COVER TAPE PEELING FORCE:



2. PART DIMENSIONS MEET EIA-481-D REQUIREMENT

TABLE

PRODUCT P/N	PARTS PER SHIPPING CARTON	PARTS PER REEL	LOADED REEL PER SHIPPING CARTON
A0918-0003	5000	500	10
A0918-0001			

PRODUCT SPECIFICATION: DCC No: SP-Axxxx-xx	SCALE 1 : 1	DESIGN UNITS mm	CHT 群匯科技股份有限公司 CHIUN HUEI Technology CO., LTD.	
TEST REPORT DCC No: TR-Axxxx-xx	DRAWN ALLEN	DATE 2022/04/19		
GENERAL TOLERANCES (UNLESS SPECIFIED)	CHECKED	DATE	TITLE HDMI A TYPE RECEPTACLE REVERSE SINK CH = -0.65	
X.XXX ± 0.10	APPROVED	DATE		
X.XX ± 0.25 X.X ± 0.38				
ANGULAR ± 3°	DWG NO. PA0918-001	PART NO. SEE TABLE	DWG REV. 01	SHEET NO. 1 OF 1