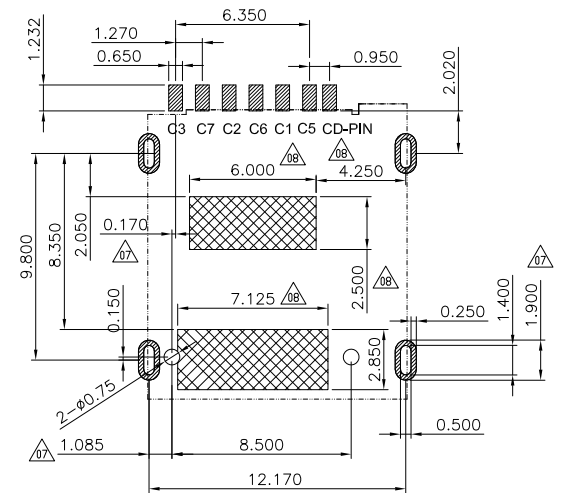
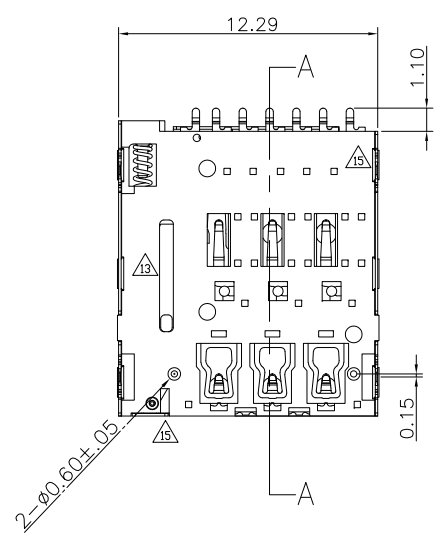
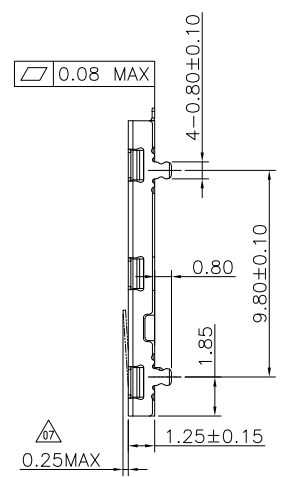
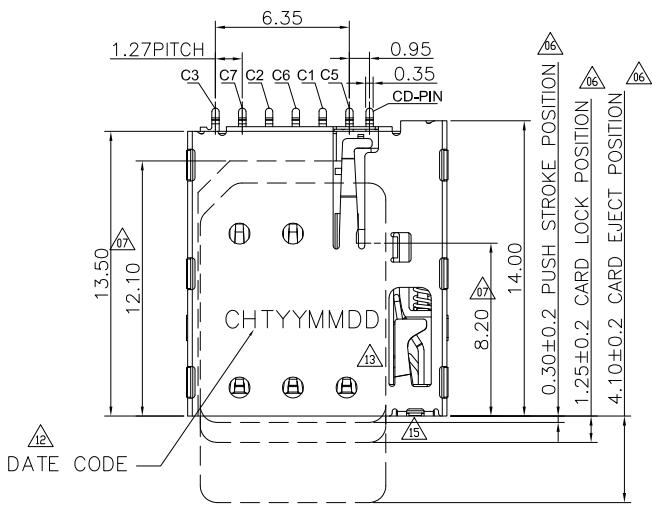
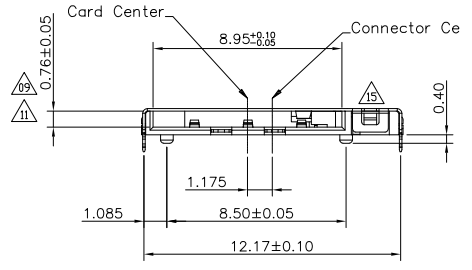
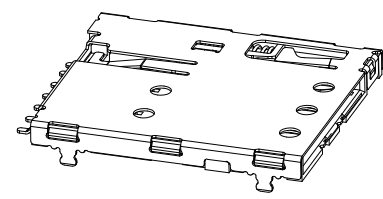


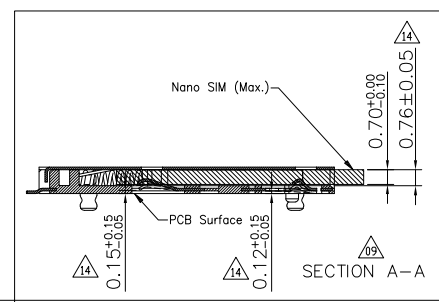
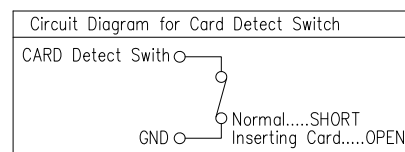
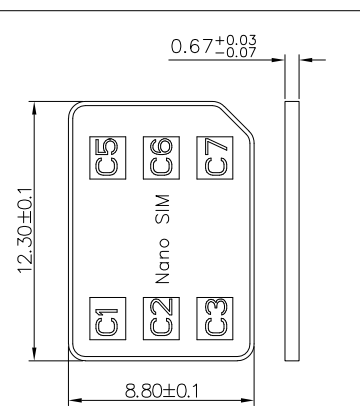
| REVISION HISTORY | | | |
|------------------|-------------|---------|------------|
| REV | DESCRIPTION | Drawing | DATE |
| 15 | 形狀變更 | Allen | 2021/07/29 |



RECOMENDED P.C.B. LAYOUT
 (General Tolerance±0.05)
 ▨ PAD AREA ▩ NO COPPER AREA
 - - - - - KEEP OUT AREA



- NOTE:**
- MATERIAL:**
 - 1.1 INSULATOR: LCP ,UL94V-0, COLOR: BLACK
 - 1.2 CONTACT: C5210
 - 1.3 SHELL: SUS304
 - 1.4 HOOK: SUS304
 - 1.5 SPRING: SWPB
 - FINISH:**
 - 2.1 TERMINAL: 50u" MIN. NICKEL PLATED OVERALL
 - 2.2 CONTACT: GOLD FLASH
 - 2.3 TAIL: 120u" MIN MATT-TIN PLATED
 - 2.4 SHELL: 50u" MIN. NICKEL PLATED OVERALL
 - PRODUCT SPECIFICATION REFER TO SP-A0694-01**
 - PACKAGE DRAWING REFER TO PA0694-01**
 - PRODUCT MUST CONFORM TO RoHS AND HALOGEN FREE REQUIREMENT**

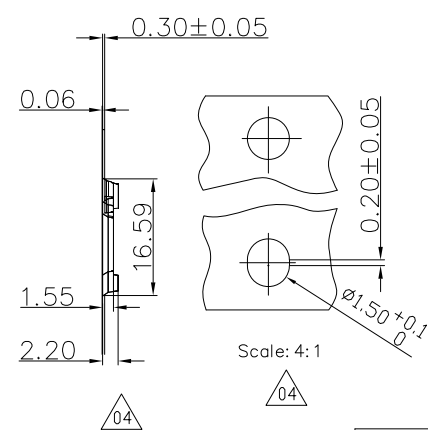
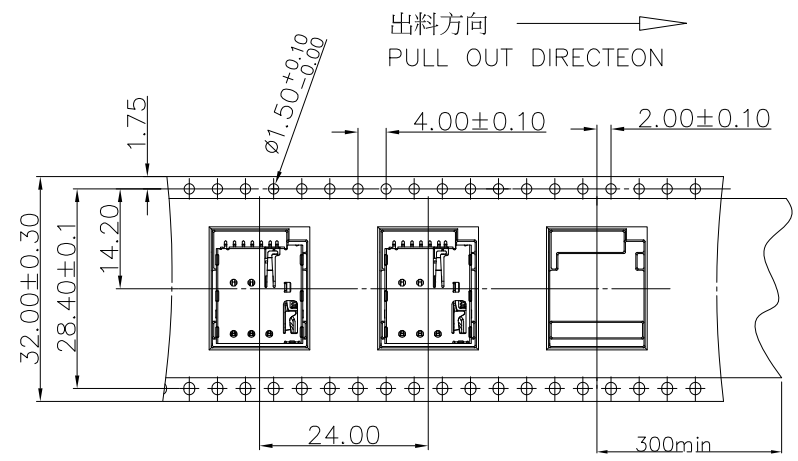
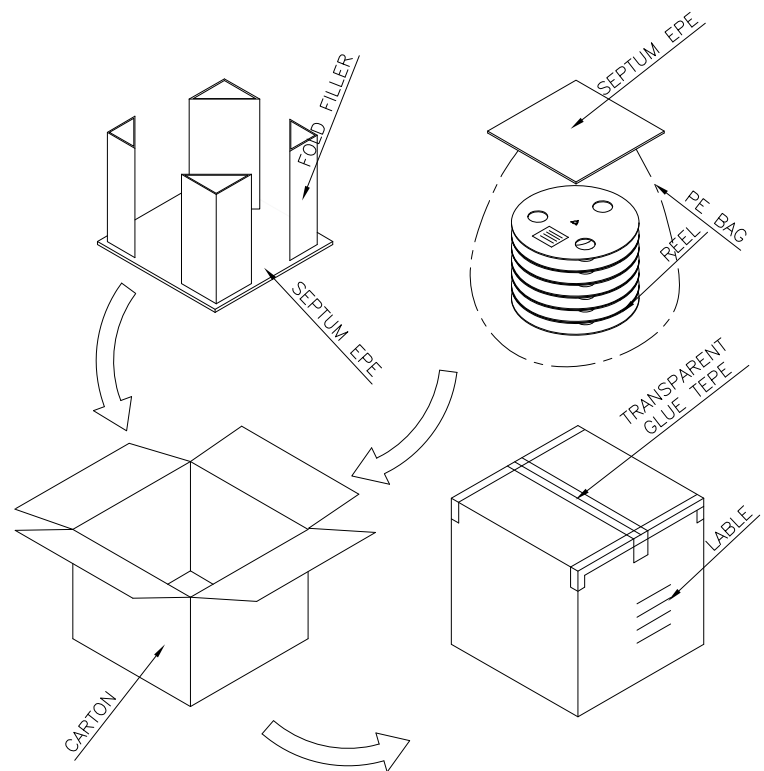
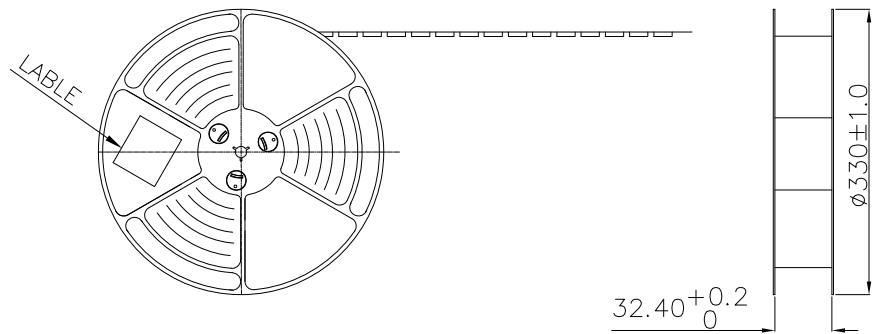
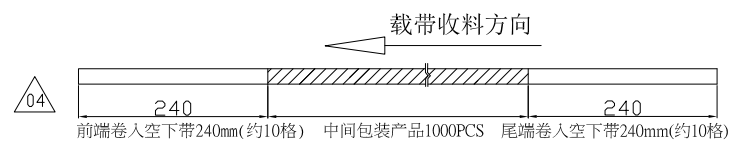


| Connector terminal NO. | Pin Name | PRODUCT SPECIFICATION: DOC.No: SP-A0694-01 TEST REPORT DOC.No: TR-A0694-01 GENERAL TOLERANCES (UNLESS SPECIFIED) | SCALE 1 : 1 | DESIGN UNITS mm |
|------------------------|---------------|---|-----------------------|--------------------|
| PIN 1 | VCC | X.XXX ± 0.10 | DRAWN Mei Chen | DATE 2019/03/15 |
| PIN 2 | RST | X.XX ± 0.25 | CHECKED | DATE |
| PIN 3 | CLK | X.X ± 0.38 | APPROVED | DATE |
| PIN 5 | GND | ANGULAR ± 3° | DWG NO. SA0694-001 | |
| PIN 6 | VPP | THIRD ANGLE PROJECTION | | |
| PIN 7 | I/O | | | |
| CD | CARD DETECTOR | | | |

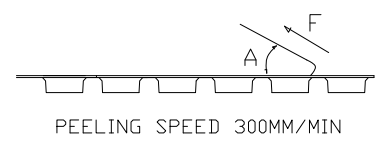
CHT 群匯科技股份有限公司
 CHUIN HUEI Technology CO., LTD.

| | | |
|------------------------------------|----------------|---------------------|
| TITLE NANO SIM 6PIN H1.25MM P/P | | |
| PART NO. SA0694-0001 | DWG REV. 15 | SHEET NO. 1 OF 1 |

| REVISION HISTORY | | | |
|------------------|-------------|---------|------------|
| REV | DESCRIPTION | Drawing | DATE |
| 04 | 變更包材規格及數量 | Allen | 2021/07/30 |



1. COVER TAPE PEELING FORCE:



| | |
|---|-----------|
| A | 15°~ 0° |
| F | 0.1N~1.3N |

2. PART DIMENSIONS MEET EIA-481-2-A REQUIREMENT

| PRODUCT P/N | PARTS PER SHIPPING CARTON | PARTS PER REEL (S.P.Q.) | TOTAL REELS PER SHIPPING CARTON |
|-------------|---------------------------|-------------------------|---------------------------------|
| A0694-0001 | 04 10000(PCS) | 04 1000(PCS) | 10 |

| | | |
|---|-------------------------|--------------------|
| PRODUCT SPECIFICATION: DDC.No: SP-Axxxx-xx | SCALE 1 : 1 | DESIGN UNITS mm |
| TEST REPORT DDC.No: TR-Axxxx-xx | DRAWN Mei Chen | DATE 2019/03/15 |
| GENERAL TOLERANCES (UNLESS SPECIFIED): | CHECKED | DATE |
| X.XXX ± 0.10 | APPROVED | DATE |
| X.XX ± 0.25 | ANGULAR ± 3° | |
| X.X ± 0.38 | THIRD ANGLE PROJECTION | |
| DWG NO. PA0694-001 | PART NO. PA0694-0001 | DWG REV. 04 |

CHT 群匯科技股份有限公司
CHIUN HUEI Technology CO., LTD.

TITLE
NANO SIM 6PIN H1.25MM P/P

| | | | |
|-----------------------|-------------------------|----------------|---------------------|
| DWG NO. PA0694-001 | PART NO. PA0694-0001 | DWG REV. 04 | SHEET NO. 1 OF 1 |
|-----------------------|-------------------------|----------------|---------------------|