

10

9

8

7

6

5

4

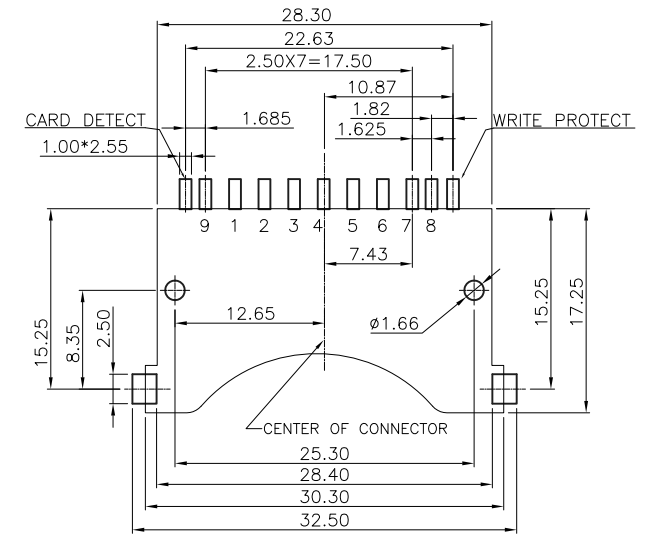
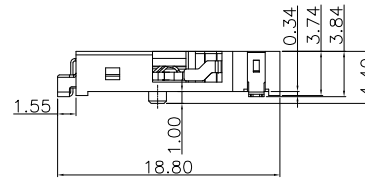
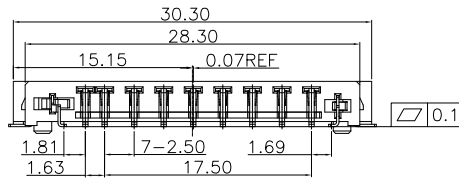
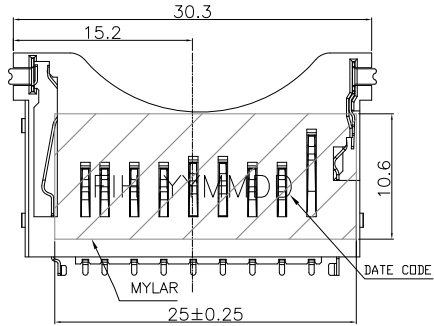
3

2

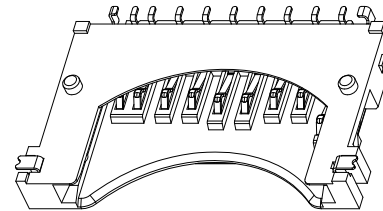
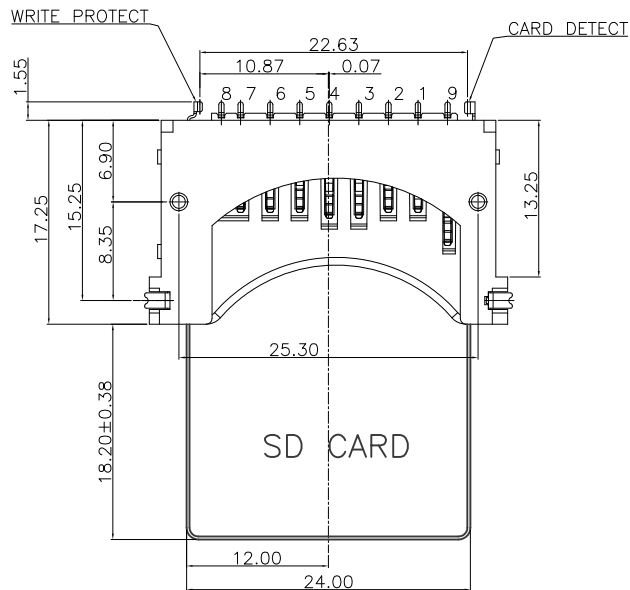
1

REVISION HISTORY

| REV | DESCRIPTION | Drawing | DATE |
|-----|-------------|----------|------------|
| 01 | PROPOSAL | Mei Chen | 2018/07/02 |



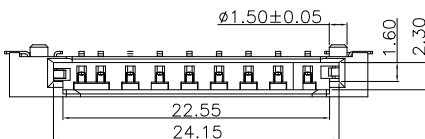
RECOMMEND P.C.B HOLE LAYOUT (THICKNESS=1.0 mm)
TOLERANCE: 0.05mm TOP VIEW



NOTE:

- MATERIAL:
 - INSULATOR: HIGH TEMPERATURE THERMOPLASTIC, UL94V-0, COLOR: BLACK
 - CONTACT: COPPER ALLOY.
 - SHELL: STAINLESS
- FINISH:
 - TERMINAL: 50μ" MIN. NICKEL PLATED OVERALL
 - CONTACT: GOLD FLASH
 - TAIL: 120μ" MIN MATT-TIN PLATED
 - SHELL: 50μ" MIN. NICKEL PLATED OVERALL
- PRODUCT SPECIFICATION REFER TO SP-A0707-01
- PACKAGE DRAWING REFER TO PA0707-01
- PRODUCT MUST CONFORM TO RoHS AND HALOGEN FREE REQUIREMENT

| Pin No. | NAME |
|---------|---------|
| 1 | CD/DAT3 |
| 2 | CMD |
| 3 | Vss1 |
| 4 | VDD |
| 5 | CLK |
| 6 | Vss2 |
| 7 | DAT0 |
| 8 | DAT1 |
| 9 | DAT2 |



TABLE

| FIH P/N | GOLD THICKNESS |
|------------|----------------|
| A0478-0006 | 15μ" |
| A0478-0003 | 30μ" |
| A0478-0001 | G/F |

| PRODUCT SPECIFICATION: DOC.No: SP-AXXXX-XX | SCALE 1 : 1 | DESIGN UNITS mm |
|---|---------------------------|-----------------------|
| TEST REPORT DOC.No: TR-AXXXX-XX | DRAWN Mei Chen | DATE 2018/07/02 |
| GENERAL TOLERANCES (UNLESS SPECIFIED) | CHECKED | DATE |
| X.XXX ± 0.10 | APPROVED | DATE |
| X.XX ± 0.20 | DWG NO. SA0707-001 | PART NO. SEE TABLE |
| X.X ± 0.25 | THIRD ANGLE PROJECTION | DWG REV. 01 |
| ANGULAR ± 3° | | SHEET NO. 1 OF 1 |

CHT 群匯科技股份有限公司
CHIUN HUEI Technology CO., LTD.

TITLE
SD REVERSE TYPE
H=3.84mm WITH MYLAR

9

8

7

6

5

4

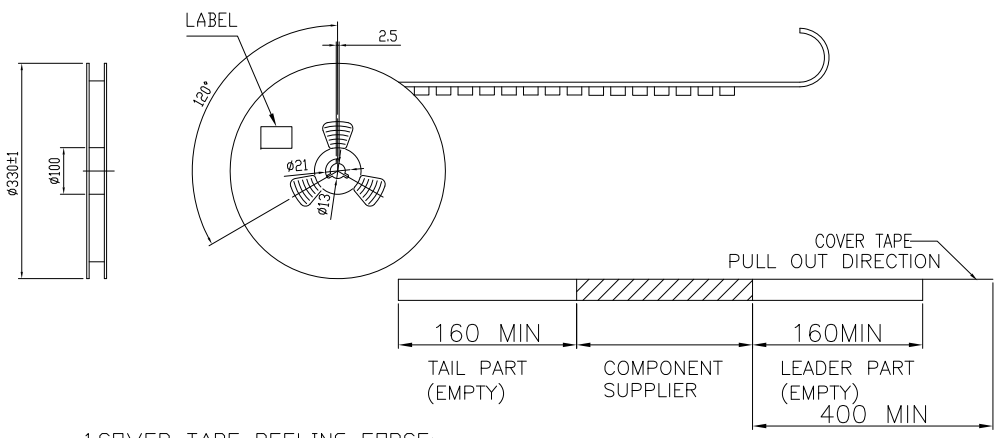
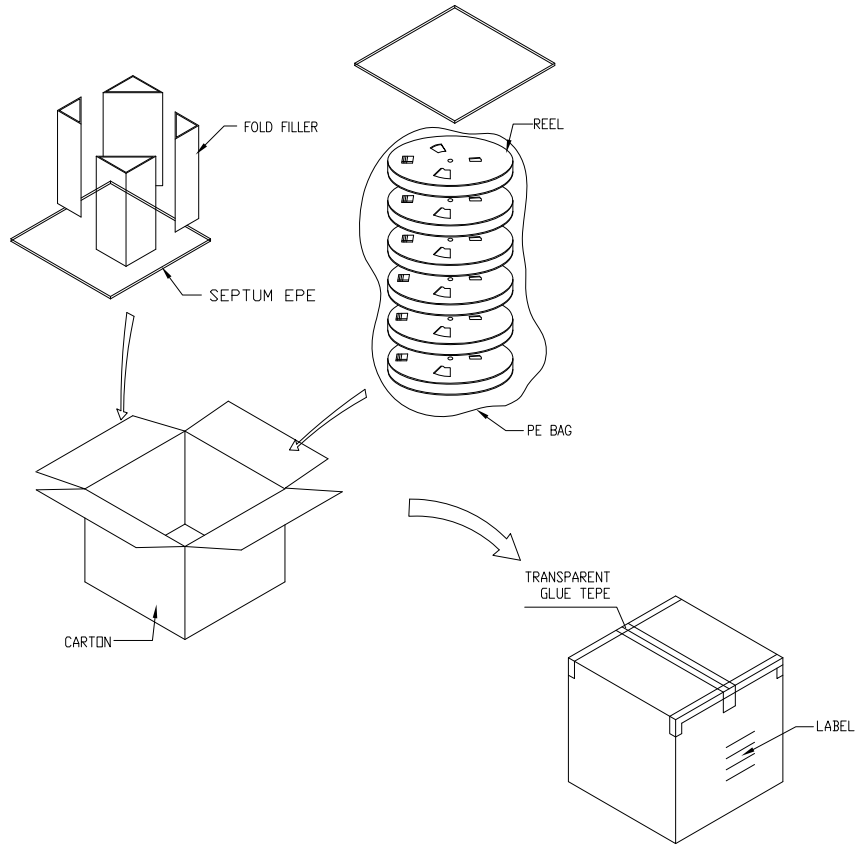
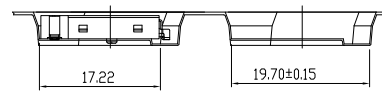
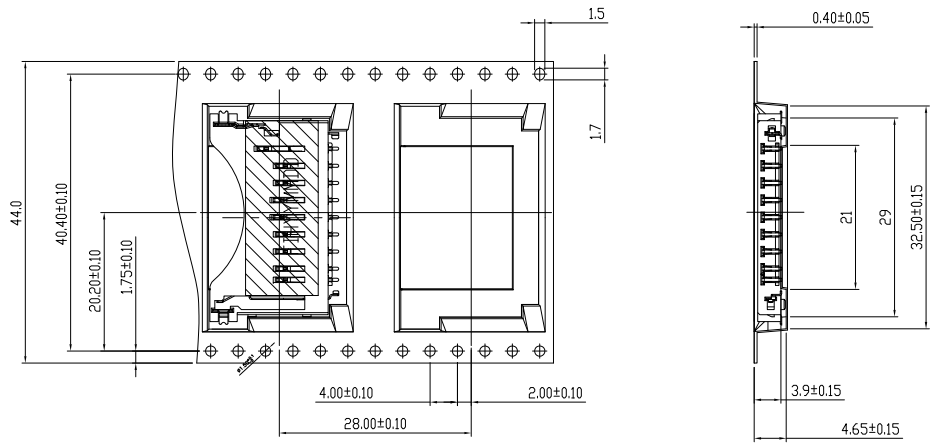
3

2

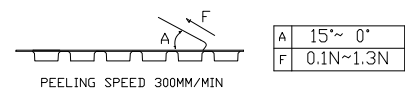
1

| REVISION HISTORY | | | |
|------------------|-------------|----------|------------|
| REV | DESCRIPTION | Drawing | DATE |
| 01 | PROPOSAL | Mei Chen | 2019/04/09 |

INPUT MATERIAL DIRECTION →



1. COVER TAPE PEELING FORCE:



2. PART DIMENSIONS MEET EIA-481-2-A REQUIREMENT

TABLE

| PRODUCT P/N | PARTS PER SHIPPING CARTON | PARTS PER REEL | LOADED REEL PER SHIPPING CARTON |
|-------------|---------------------------|----------------|---------------------------------|
| A0707-0006 | 2350 | 470 | 5 |
| A0707-0003 | | | |
| A0707-0001 | | | |

| | | | | |
|--|-----------------------|-----------------------|--|---------------------|
| PRODUCT SPECIFICATION: DDC.No: SP-XXXX-XX | SCALE 1 : 1 | DESIGN UNITS mm | CHT 群匯科技股份有限公司 CHIUN HUEI Technology CO., LTD. | |
| TEST REPORT DDC.No: TR-XXXX-XX | DRAWN Mei Chen | DATE 2019/04/09 | | |
| GENERAL TOLERANCES (UNLESS SPECIFIED): | CHECKED | DATE | TITLE SD REVERSE TYPE H=3.84mm WITH MYLAR | |
| X.XXX ± 0.10 | APPROVED | DATE | | |
| X.XX ± 0.25 X.X ± 0.38 | ANGULAR ± 3° | | | |
| THIRD ANGLE PROJECTION | DWG NO. PA0707-001 | PART NO. SEE TABLE | DWG REV. 01 | SHEET NO. 1 OF 1 |