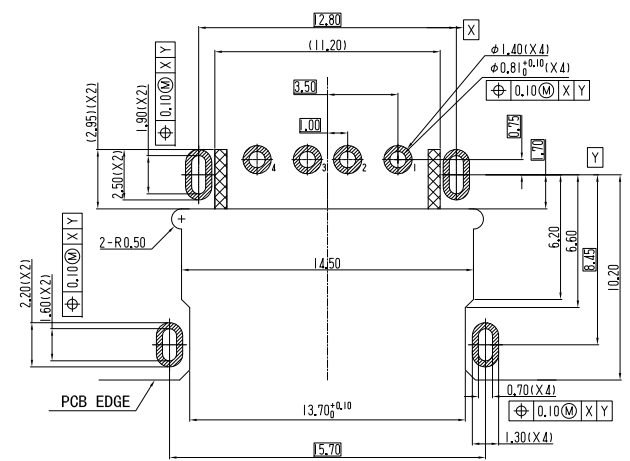
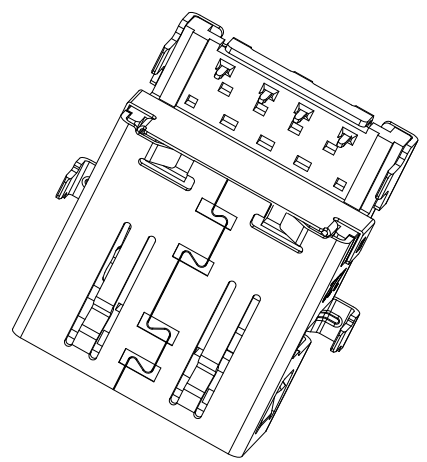
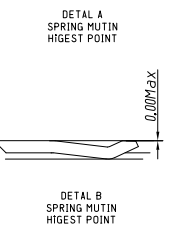
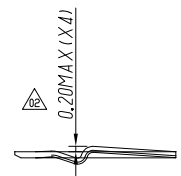
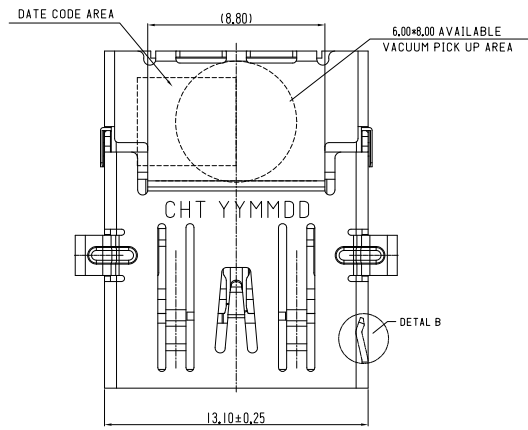
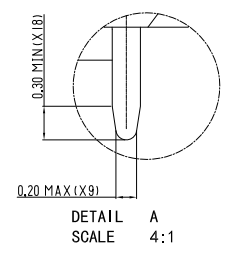
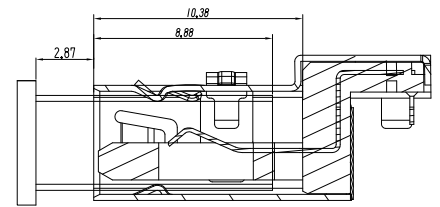
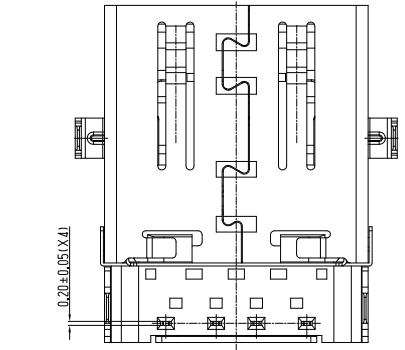
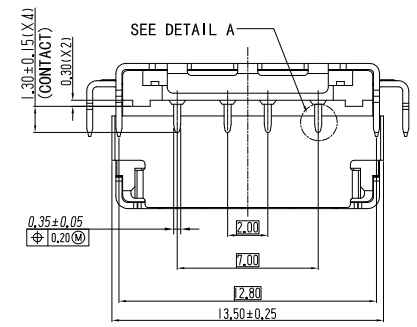
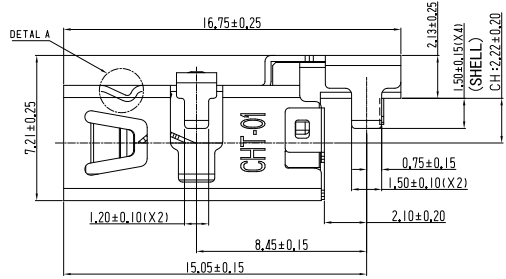
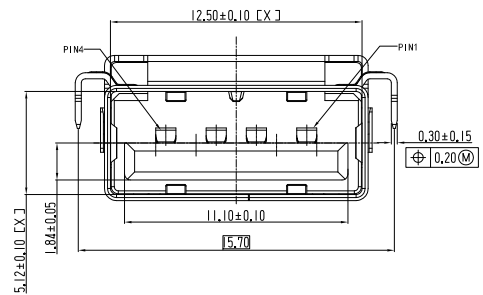


REVISION HISTORY		
REV	DESCRIPTION	DATE
02	修改鐵殼彈出最大高度0.2	2019/08/20



SCALE 1:1
REFERENCE PCB LAYOUT
TOLERANCE: ±0.05MM



- NOTE:
- MATERIAL:
 - INSULATOR: HIGH TEMPERATURE THERMOPLASTIC, UL94V-0, COLOR: BLACK
 - CONTACT: COPPER ALLOY.
 - COVER: STAINLESS.
 - SHELL: METAL.
 - FINISH:
 - TERMINAL: 40μ" MIN. NICKEL PLATED OVERALL
 - CONTACT: SELECTIVE GOLD PLATED, SEE TABLE A
 - TAIL: 100μ" MIN MATT-TIN PLATED
 - SHELL: 40μ" MIN. NICKEL PLATED OVERALL
 - PRODUCT SPECIFICATION REFER TO SP-A0757-01
 - PACKAGE DRAWING REFER TO PA0757-01
 - PRODUCT MUST CONFORM TO RoHS AND HALOGEN FREE REQUIREMENT

TABLE

FIH P/N	TABLE A GOLD PLATING THICKNESS	PIN NO.	1	2	3	4
A0757-0003	Au30u	SIGNAL NAME	VBUS	D-	D+	DPGND
A0757-0001	G/F	REMARK	USB2.0 CONTACT PIN			

PRODUCT SPECIFICATION: DOC.No. SP-A0757-01	SCALE 1:1	DESIGN UNITS mm
TEST REPORT DOC.No. TR-A0757-01	DRAWN Mei Chen	DATE 2019/08/14
GENERAL TOLERANCES (UNLESS SPECIFIED)	CHECKED Mei Chen	DATE 2019/08/14
X.XXX ± 0.10	APPROVED TJ	DATE 2019/08/14
X.XX ± 0.25	DWG NO. SA0757-001	
X.X ± 0.38		
ANGULAR ± 3°		
THIRD ANGLE PROJECTION		

CHT 群匯科技股份有限公司
CHUIN HUEI Technology CO., LTD.

TITLE
USB2.0 Recep. A Type 90° DIP Type
CH=-2.22MM

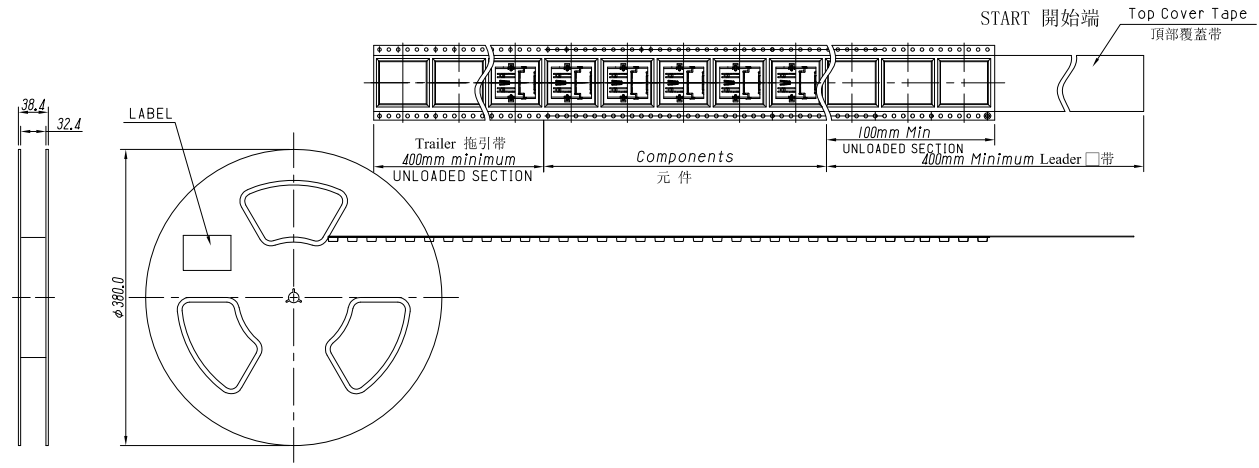
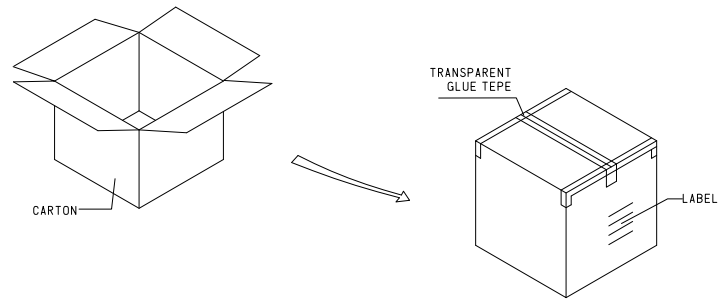
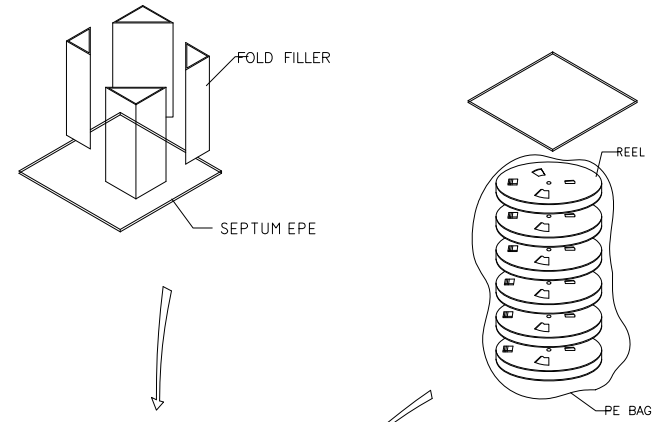
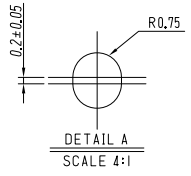
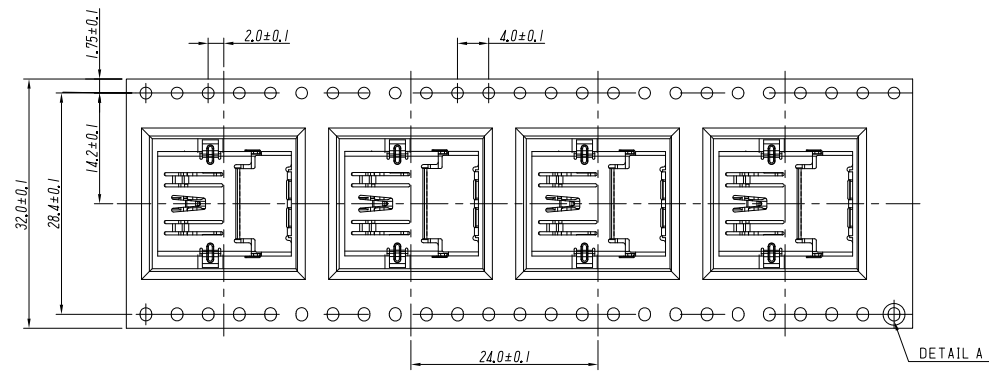
PART NO. TABLE A	DWG REV. 02	SHEET NO. 1 OF 1
------------------	-------------	------------------

REVISION HISTORY			
REV	DESCRIPTION	Drawing	DATE
01	PROPOSAL	Mei Chen	2019/08/14

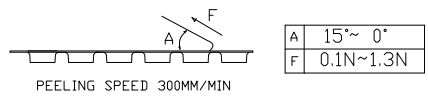
F
E
D
C
B
A

10 9 8 7 6 5 4 3 2 1

USER DIRECTION OFF UNREELING →



1. COVER TAPE PEELING FORCE:



2. PART DIMENSIONS MEET EIA-481-2-A REQUIREMENT

TABLE

PRODUCT P/N	PARTS PER SHIPPING CARTON	PARTS PER REEL	LOADED REEL PER SHIPPING CARTON
A0757-0003	5000	500	10
A0757-0001			

PRODUCT SPECIFICATION: DOC.No: SP-Axxxx-xx	SCALE 1 : 1	DESIGN UNITS mm	CHT 群匯科技股份有限公司 CHIUN HUEI Technology CO., LTD.		
TEST REPORT DOC.No: TR-Axxxx-xx	DRAWN Mei Chen	DATE 2019/08/14			
GENERAL TOLERANCES (UNLESS SPECIFIED)	CHECKED	DATE	TITLE USB2.0 Recep. A Type 90° DIP Type CH=-2.22MM		
X.XXX ± 0.10	APPROVED	DATE			
X.XX ± 0.25	DWG NO. PA0757-001		PART NO. SEE TABLE	DWG REV. 01	SHEET NO. 1 OF 1
X.X ± 0.38	THIRD ANGLE PROJECTION				
ANGULAR ± 3°					

9 8 7 6 5 4 3 2 1