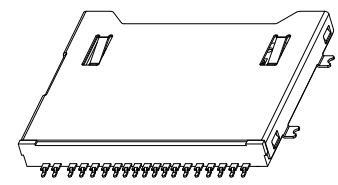
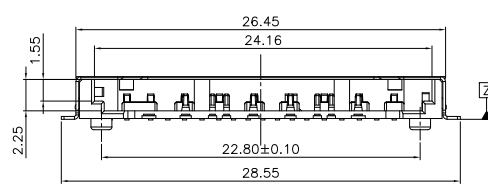
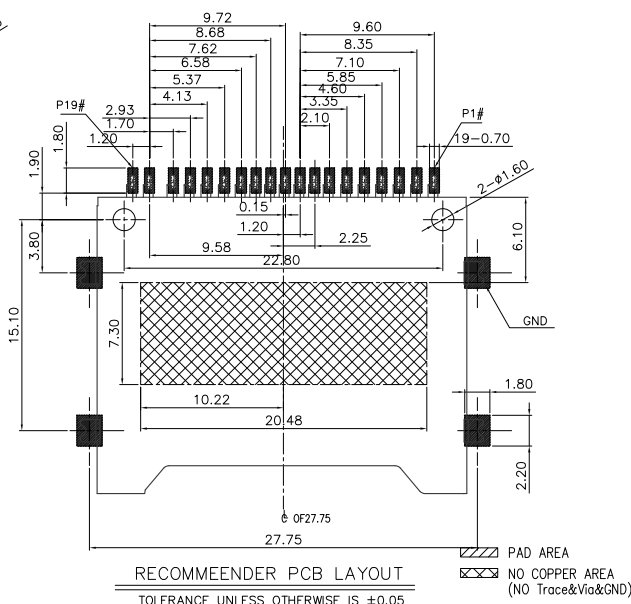
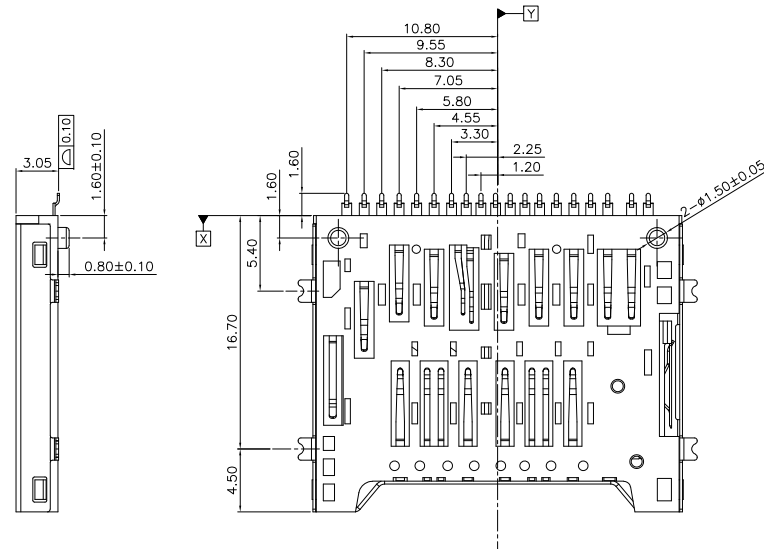
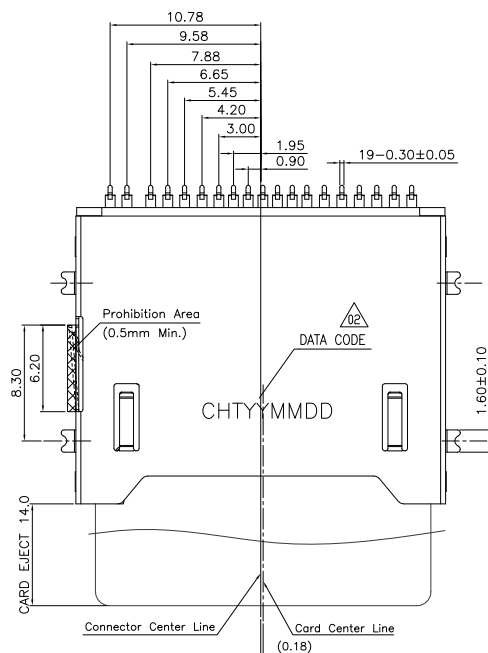


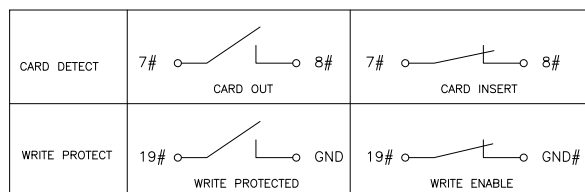
REVISION HISTORY			
REV	DESCRIPTION	Drawing	DATE
04	增加尺寸標註	Allen	2019/12/19



- NOTE:
- MATERIAL:
 - INSULATOR: LCP, UL94 V-0, BLACK
 - CONTACT: C5210
 - SHELL: SUS304
 - FINISH:
 - TERMINAL: 50u" MIN. NICKEL PLATED OVERALL
 - CONTACT: GOLD FLASH
 - TAIL: 100u" MATT-TIN PLATED
 - SHELL: 50u" MIN. NICKEL PLATED OVERALL
 - MECHANICAL CHARACTERISTICS:
 - Insertion force : 40N(4.08Kg/f)max.
 - Unmating force : 1N(0.1Kg/f)min.
 - DURABILITY:10,000 CYCLES.
 - UMMATING FORCE : 1N MIN.
 - PRODUCT SPECIFICATION REFER TO SP-A0400-01
 - PACKAGE DRAWING REFER TO PA0400-01
 - PRODUCT MUST CONFORM TO RoHS AND HALOGEN FREE REQUIREMENT

PIN DEFINE:

PIN#	PIN DEFINE	PIN#	PIN DEFINE
1	VSS3	11	VDD1
2	DAT2	12	D1-
3	DO+	13	CLK
4	CD/DAT3	14	D1+
5	DO-	15	VSS2
6	CMD	16	VSS5
7	CD	17	DAT0
8	VSS1	18	DAT1
9	VSS4	19	WP
10	VDD2		



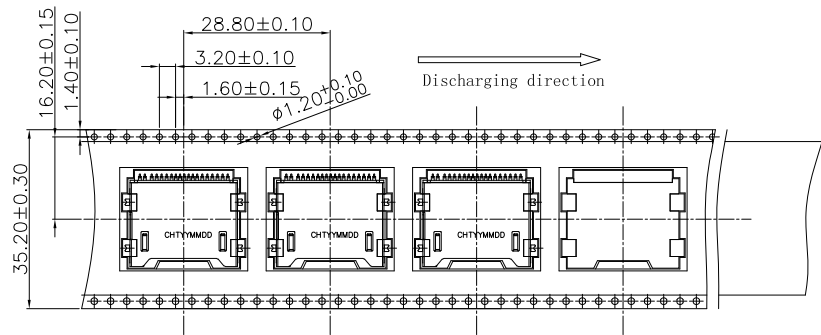
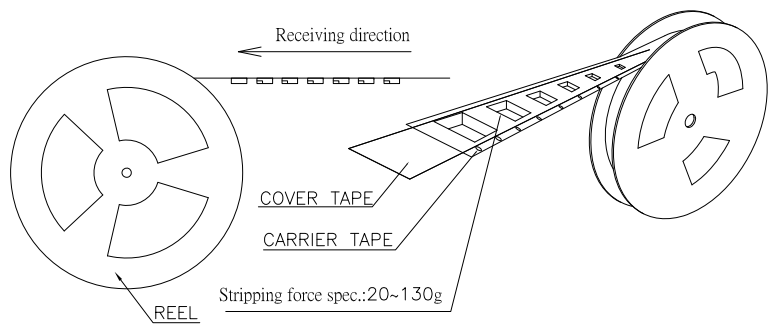
PRODUCT SPECIFICATION: DOC.No: SP-A0400-01 TEST REPORT DOC.No: TR-A0400-01	SCALE 1 : 1	DESIGN UNITS mm
GENERAL TOLERANCES (UNLESS SPECIFIED)	DRAWN Mei Chen	DATE 2014/10/30
X.XXX ± 0.20	CHECKED	DATE
X.XX ± 0.20	APPROVED	DATE
X.X ± 0.25		
ANGULAR ± 3°		
THIRD ANGLE PROJECTION	DWG NO. SA0400-001	PART NO. A0400-0001

CHT 群匯科技股份有限公司
CHIUN HUEI Technology CO., LTD.

TITLE
SD CARD 4.0 SLOT CONNECTOR
TOP DIP TYPE NON PUSH PUSH
H=3.05mm

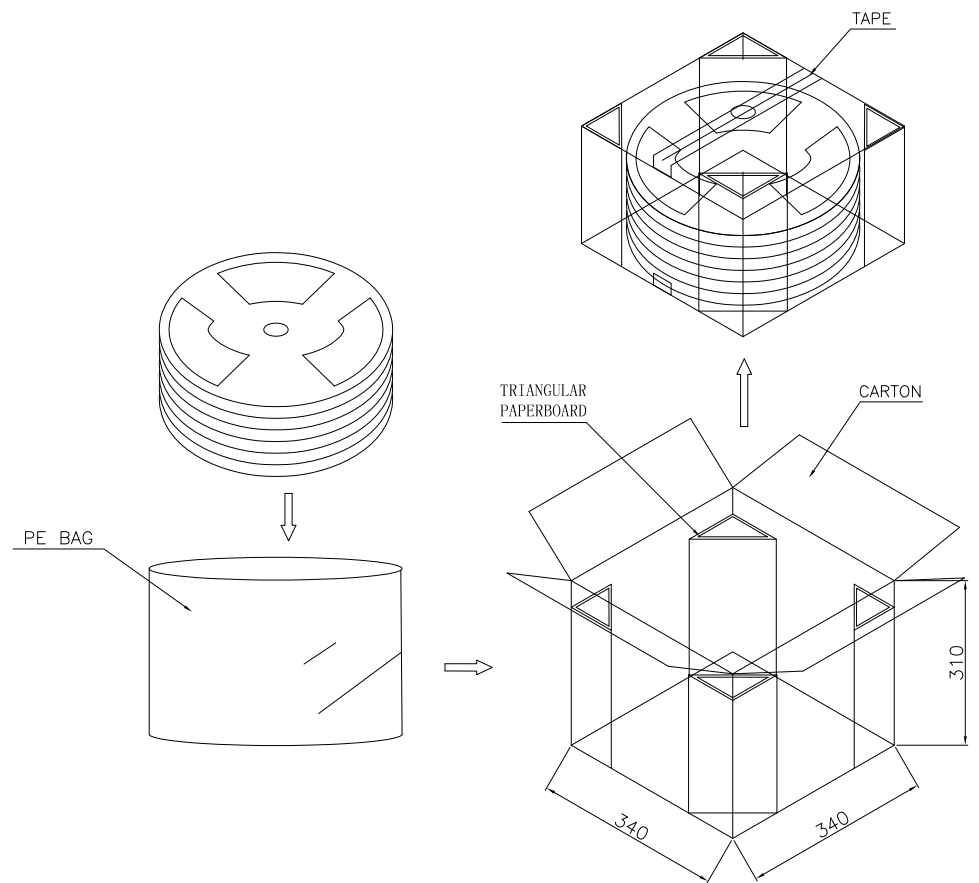
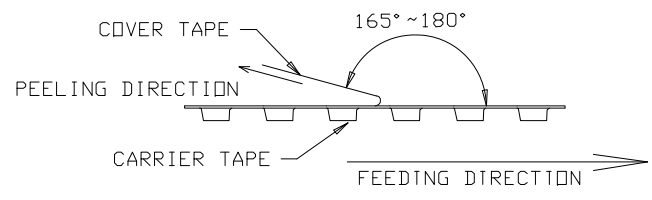
DWG REV. 04	SHEET NO. 1 OF 1
----------------	---------------------

REVISION HISTORY			
REV	DESCRIPTION	Drawing	DATE
02	PROPOSAL	Mei Chen	2017/07/24



Empty head end 10 case not to product,
tail empty 8 don't pack the product,
Transparent adhesive tape for 120 mm.

- NOTES:
- 10 POCKETS HOLE PITCH CUMULATIVE TOLERANCE ±0.20mm.
 - COVER TAPE PEELING STRENGTH : 0.1 KgF MAX. AT 300mm/min.



TABLE

PRODUCT P/N	PARTS PER SHIPPING CARTON	PARTS PER REEL	LOADED REEL PER SHIPPING CARTON
A0400-0001	1800	300	6

PRODUCT SPECIFICATION: DOC.No: SP-Axxxx-001	SCALE 1 : 1	DESIGN UNITS mm	CHT 群匯科技股份有限公司 CHIUN HUEI Technology CO., LTD.		
TEST REPORT DOC.No: TR-Axxxx-001	DRAWN Mei Chen	DATE 2017/04/18			
GENERAL TOLERANCES (UNLESS SPECIFIED)		CHECKED	DATE	TITLE SD CARD 4.0 SLOT CONNECTOR TOP DIP TYPE NON PUSH PUSH H=3.05mm	
X.XXX	± 0.20	APPROVED	DATE		
X.XX	± 0.20				
X.X	± 0.25				
ANGULAR ± 3°		DWG NO. PA0400-001	PART NO. A0400-0001	DWG REV. 02	SHEET NO. 1 OF 1