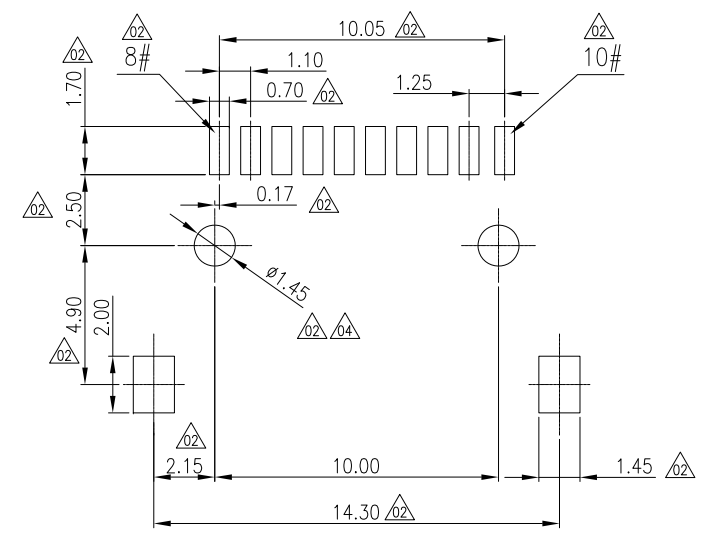
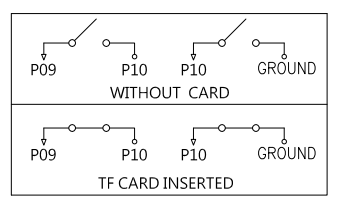
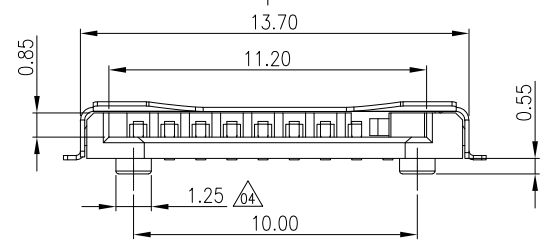
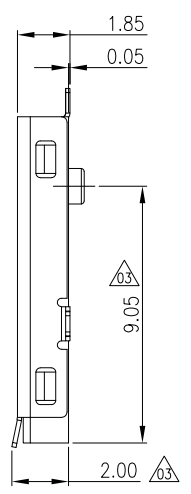
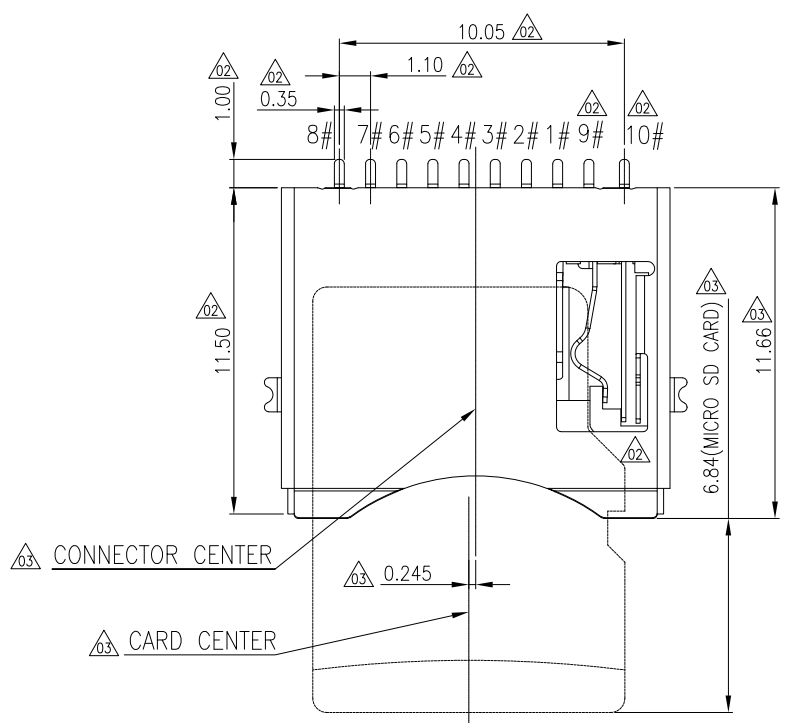


REVISION HISTORY			
REV	DESCRIPTION	Drawing	DATE
04	修改尺寸標註	Allen	2020/11/03

PIN NO.	PIN ASSIGNMENT
1#	DAT2
2#	CD/DAT3
3#	CMD
4#	VDD
5#	CLK
6#	VSS
7#	DAT0
8#	DAT1
9#	WP
10#	CD



RECOMMEND PCB LAYOUT
GENERAL TOLERANCER ±0.05

- NOTES:
- MATERIAL:
 - 1.1 PLASTIC: HIGH TEMPERATURE THERMOPLASTIC, UL 94V-0
 - 1.2 CONTACT: COPPER ALLOY
 - 1.3 SHELL: METAL
 - FINISH:
 - 2.1 TERMINAL: 50u" MIN. NICKEL PLATED OVERALL
 - 2.2 CONTACT: SELECTIVE GOLD PLATED, SEE TABLE A
 - 2.3 TAIL: TIN PLATED

FIH P/N	TABLE A GOLD PLATING THICKNESS
A0848-0003	Au 30u"
A0848-0002	Au 10u"
A0848-0001	G/F

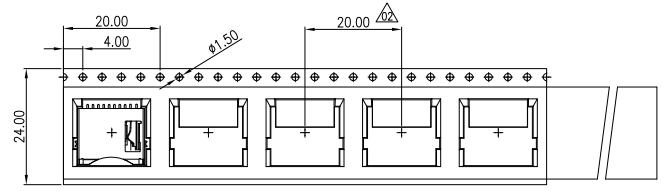
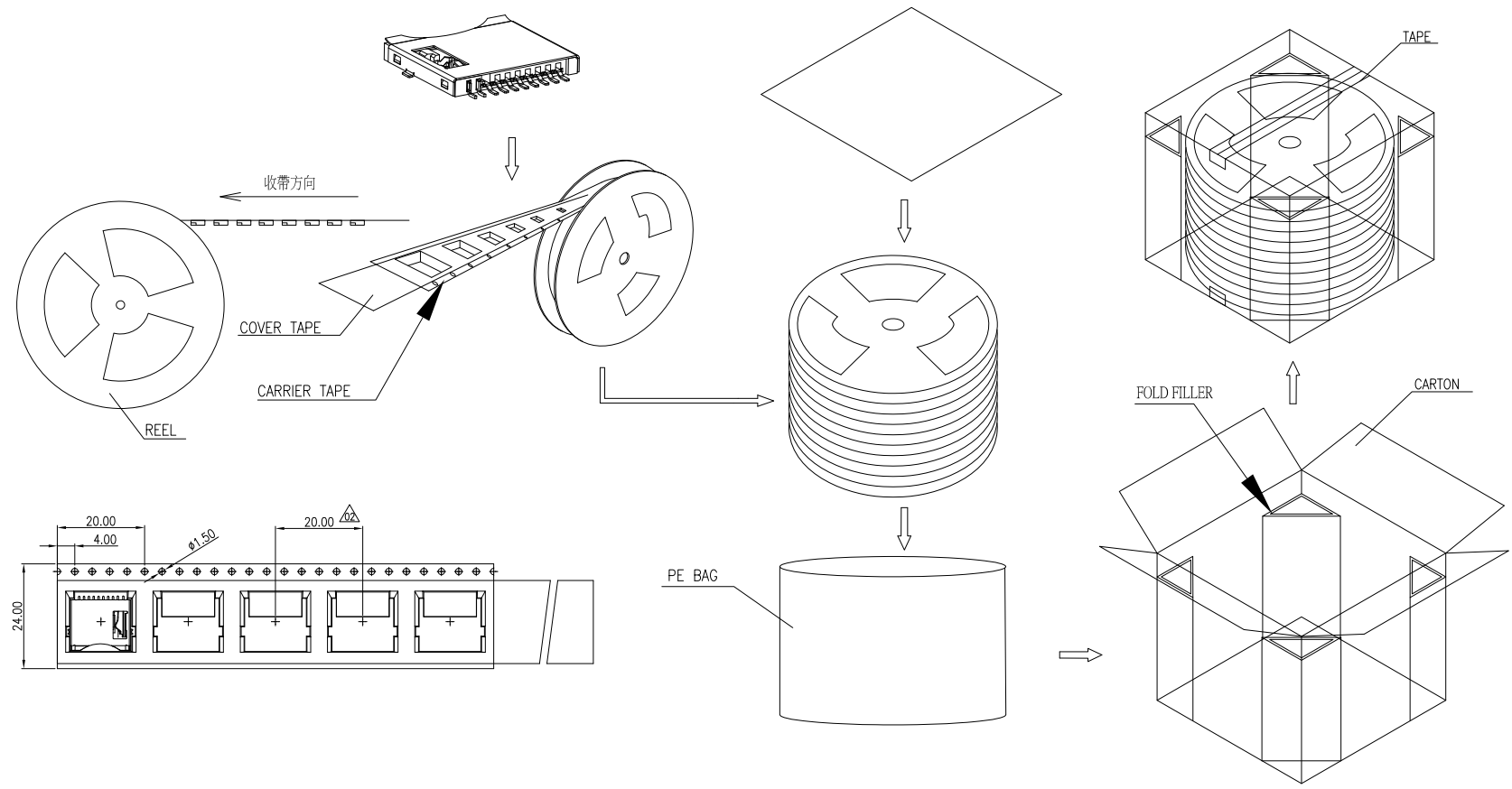
PRODUCT SPECIFICATION: DOC.No: SP-Axxxx-xx	SCALE 1 : 1	DESIGN UNITS mm
TEST REPORT DOC.No: TR-Axxxx-xx	DRAWN Allen	DATE 2020/10/14
GENERAL TOLERANCES (UNLESS SPECIFIED)	CHECKED	DATE
X.XXX ± 0.10	APPROVED	DATE
X.XX ± 0.25	DWG NO. SA0848-001	
X.X ± 0.38		
ANGULAR ± 3°		
THIRD ANGLE PROJECTION		

CHT 群匯科技股份有限公司
CHUIN HUEI Technology CO., LTD.

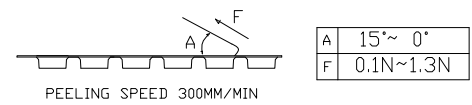
TITLE
Micro SD H1.85

PART NO. TABLE A	DWG REV. 04	SHEET NO. 1 OF 1
---------------------	----------------	---------------------

REVISION HISTORY			
REV	DESCRIPTION	Drawing	DATE
02	增加尺寸標柱	Allen	2020/11/05



1. COVER TAPE PEELING FORCE:



2. PART DIMENSIONS MEET EIA-481-2-A REQUIREMENT

TABLE

PRODUCT P/N	PARTS PER SHIPPING CARTON	PARTS PER REEL	LOADED REEL PER SHIPPING CARTON
A0848-0003	10000	1000	10
A0848-0002			
A0848-0001			

PRODUCT SPECIFICATION DOC.No: SP-XXXX-XX	SCALE 1 : 1	DESIGN UNITS mm	CHT 群匯科技股份有限公司 CHIUN HUEI Technology CO., LTD.
TEST REPORT DOC.No: TR-XXXX-XX	DRAWN Allen	DATE 2020/10/23	
GENERAL TOLERANCES (UNLESS SPECIFIED)	CHECKED	DATE	
X.XXX ± 0.20 X.XX ± 0.25 X.X ± 0.35 ANGULAR ± 3°	APPROVED	DATE	
THIRD ANGLE PROJECTION	DWG NO. PA0848-001	PART NO. SEE TABLE	DWG REV. 02
			SHEET NO. 1 OF 1