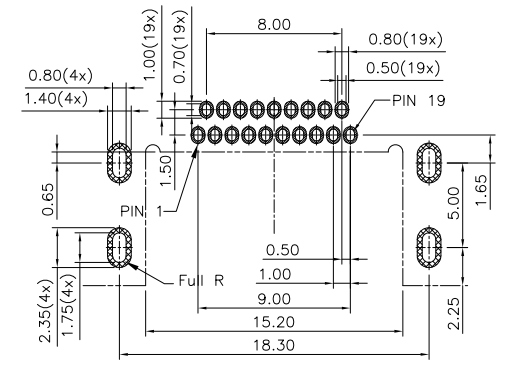
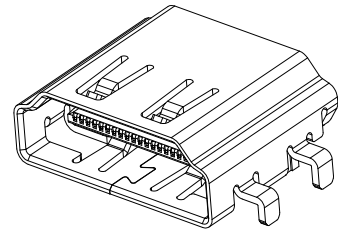
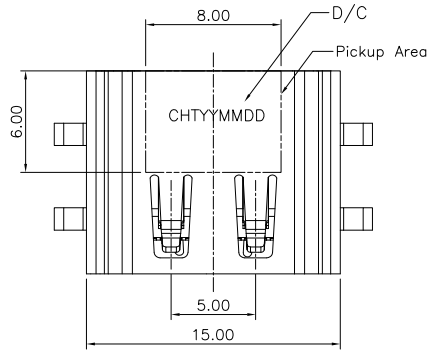
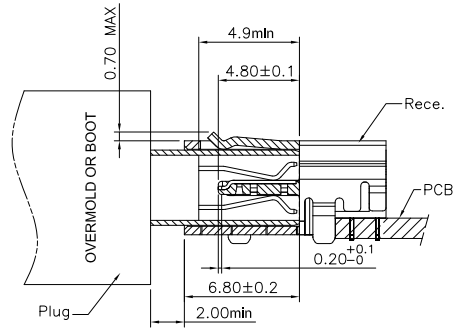
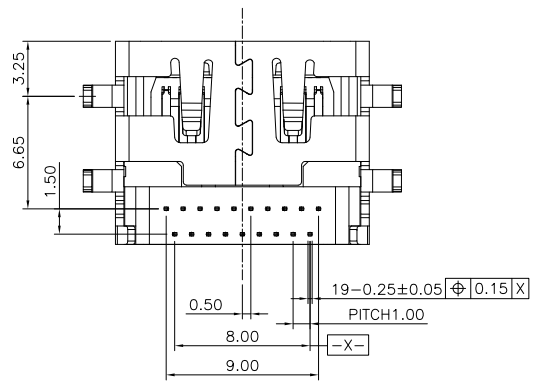
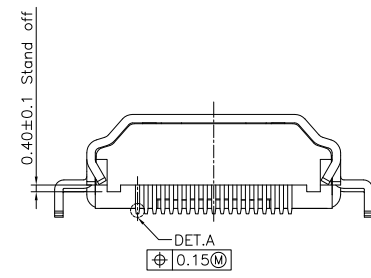
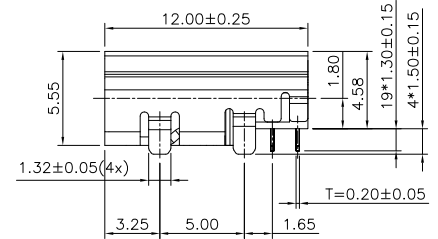
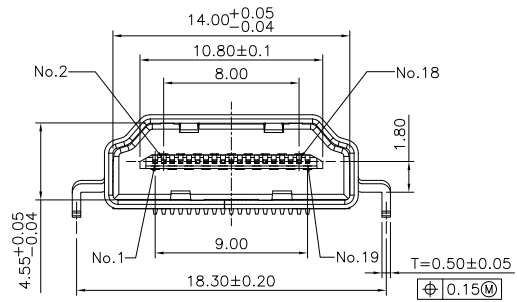


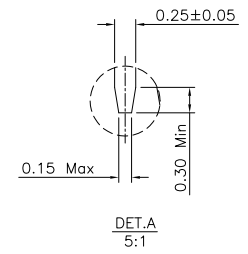
REVISION HISTORY			
REV	DESCRIPTION	Drawing	DATE
01	PROPOSAL	Mei Chen	2018/11/29



RECOMMENDED PCB LAYOUT (TOP VIEW)
GENERAL TOLERANCES: ±0.05 (t=1.2)



Mated Condition



- NOTE:
- MATERIAL:
 - INSULATOR: HIGH TEMPERATURE THERMOPLASTIC, UL94V-0, COLOR: BLACK
 - CONTACT: COPPER ALLOY.
 - SHELL: STEEL
 - FINISH:
 - TERMINAL: 50u" MIN. NICKEL PLATED OVERALL
 - CONTACT: SELECTIVE GOLD PLATED, SEE TABLE A
 - TAIL: 100u" MIN MATT-TIN PLATED
 - SHELL: 50u" MIN. NICKEL PLATED OVERALL
 - PRODUCT SPECIFICATION REFER TO SP-A0564-01
 - PACKAGE DRAWING REFER TO PA0564-01
 - PRODUCT MUST CONFORM TO RoHS AND HALOGEN FREE REQUIREMENT

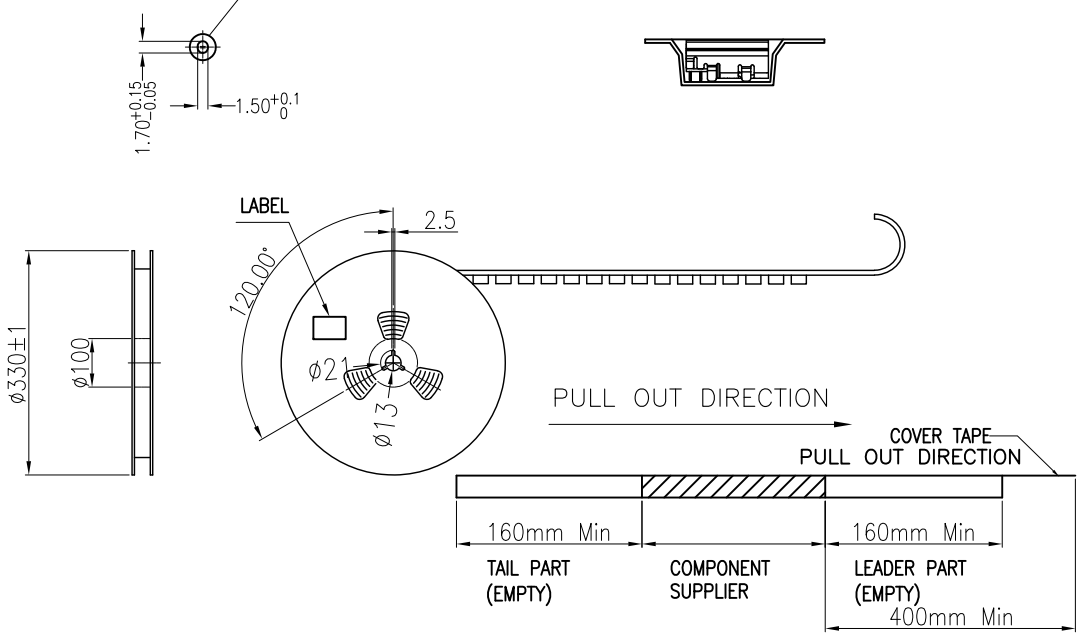
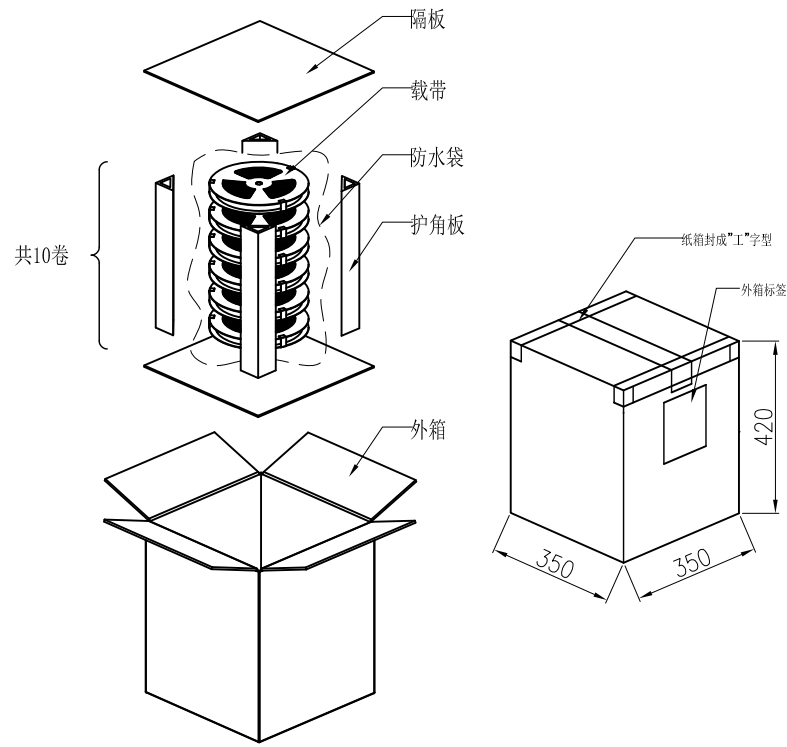
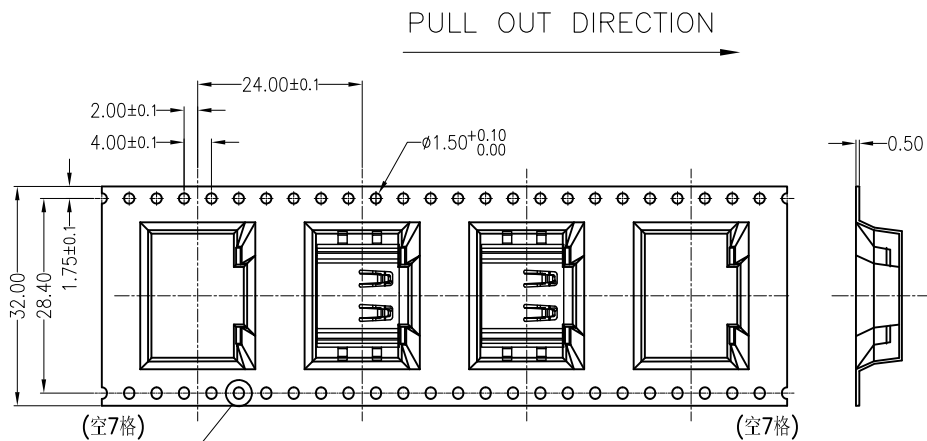
PRODUCT SPECIFICATION: DOC.No: SP-A0564-01	SCALE 1 : 1	DESIGN UNITS MM
TEST REPORT DOC.No: TR-A0564-01	DRAWN Mei Chen	DATE 2017/04/14
GENERAL TOLERANCES (UNLESS SPECIFIED)	CHECKED	DATE
X.XXX ± 0.20	APPROVED	DATE
X.XX ± 0.20	DWG NO. SA0498-001	PART NO. SEE TABLE
X.X ± 0.25	THIRD ANGLE PROJECTION	DWG REV. 01
ANGULAR ± 3°		SHEET NO. 1 OF 1

CHT 群匯科技股份有限公司
CHIUN HUEI Technology CO., LTD.

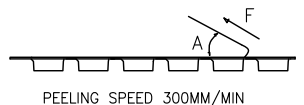
TITLE
HDMI AF R/A DIP RVS TYPE CH=1.80

TABLE	
FIH P/N	TABLE A GOLD PLATING THICKNESS
A0498-0003	Au30u
A0498-0001	G/F

REVISION HISTORY			
REV	DESCRIPTION	Drawing	DATE
01	PROPOSAL	Mei Chen	2018/11/29
02	PROPOSAL	Mei Chen	2018/12/19



1. QUANTITY: 400 PCS
2. COVER TAPE PEELING FORCE:



A	15°~ 0°
F	0.1N~1.3N

3. PART DIMENSIONS MEET EIA-481-D REQUIREMENT

PRODUCT P/N	PARTS PER SHIPPING CARTON	PARTS PER REEL	LOADED REEL PER SHIPPING CARTON
A0498-0003	4000	400	10
A0498-0001			

PRODUCT SPECIFICATION: DOC.No. SP-Axxxx-001	SCALE 1 : 1	DESIGN UNITS mm
TEST REPORT DOC.No. TR-Axxxx-001	DRAWN Mei Chen	DATE 2018/11/29
GENERAL TOLERANCES (UNLESS SPECIFIED)	CHECKED	DATE
X.XXX ± 0.20	APPROVED	DATE
X.XX ± 0.20		
X.X ± 0.25		
ANGULAR ± 3°		
THIRD ANGLE PROJECTION	DWG NO. PA0498-001	PART NO. SEE TABLE

CHT 群匯科技股份有限公司 CHIUN HUEI Technology CO., LTD.		
TITLE HDMI AF R/A DIP RVS TYPE CH=1.8		
PART NO. SEE TABLE	DWG REV. 02	SHEET NO. 1 OF 1