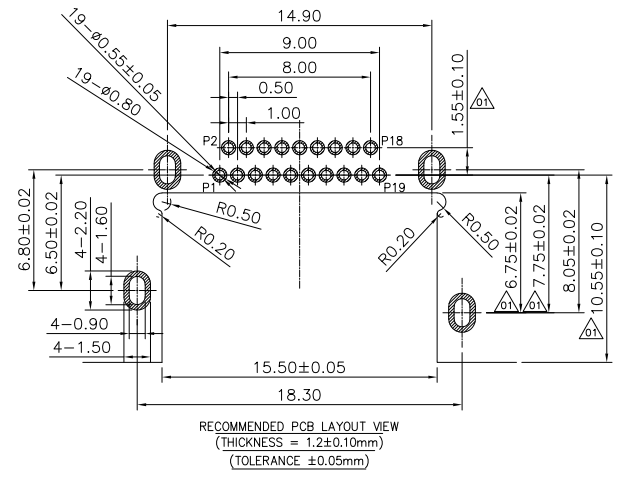
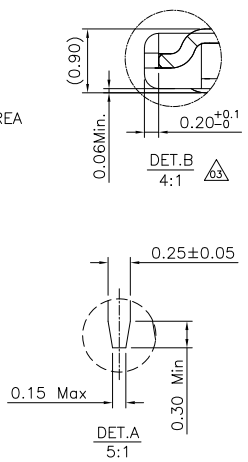
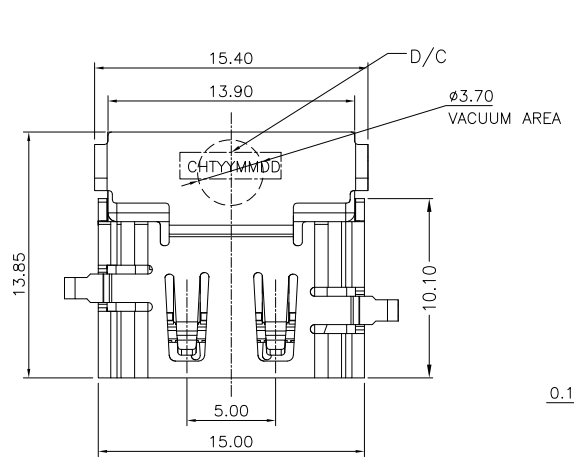


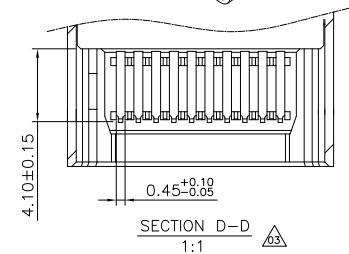
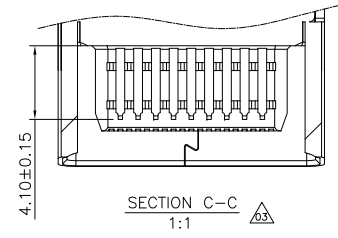
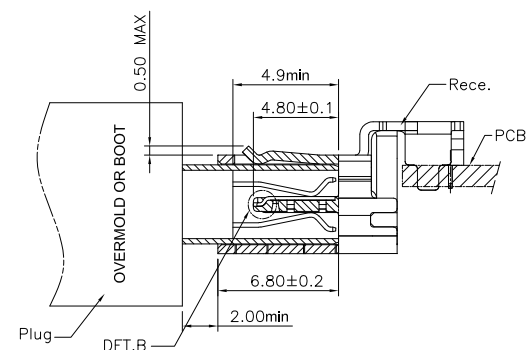
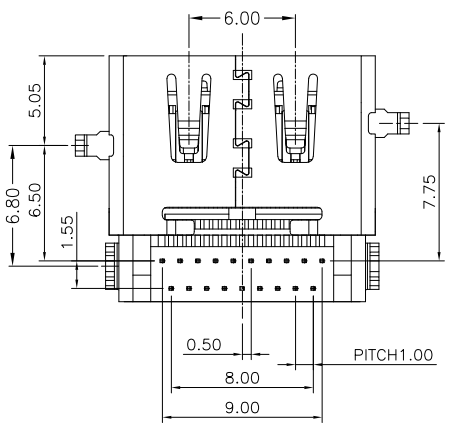
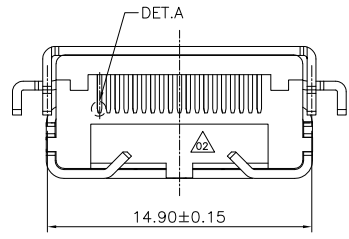
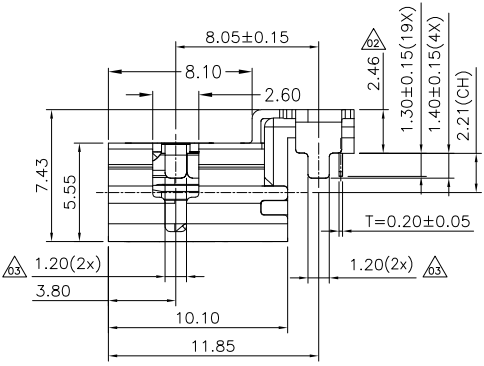
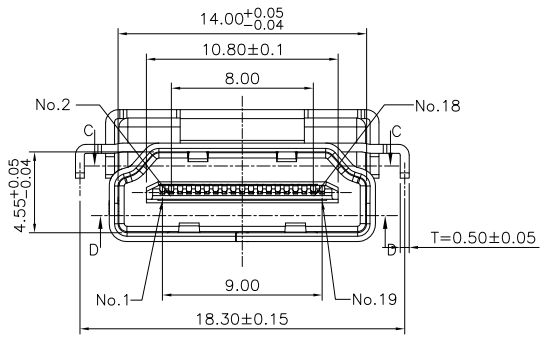
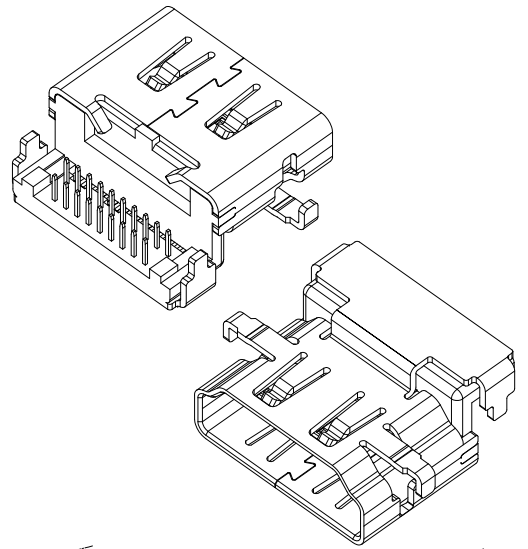
REVISION HISTORY		
REV	DESCRIPTION	DATE
04	TITLE 修改說明	2022/07/07



NOTE:

1. MATERIAL:
 1.1 HOUSING: LCP+30% G.F
 UL94V-0, COLOR: BLACK
 1.2 CONTACT: C2680.
 1.3 SHELL: SK7.

2. FINISH:
 2.1 CONTACT: GOLD (SEE TABLE) PLATED ON CONTACT AREA
 100u" MIN. MATT TIN PLATED ON SOLDERTAILS
 50u" MIN. NICKEL UNDERPLATED OVER ALL.
 2.2 SHELL: 50u" MIN. NICKEL UNDERPLATED OVER ALL.



TABLE

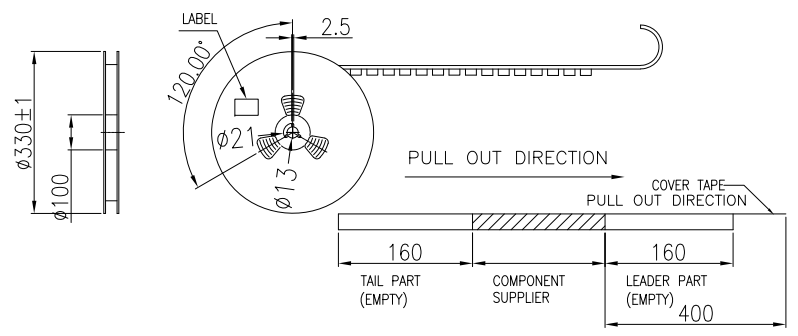
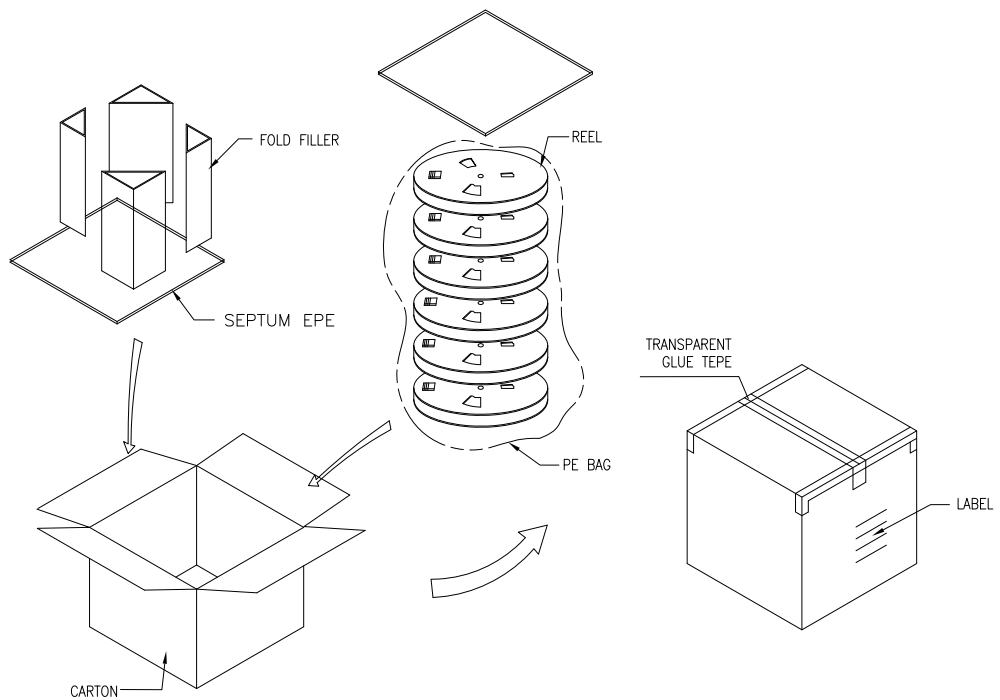
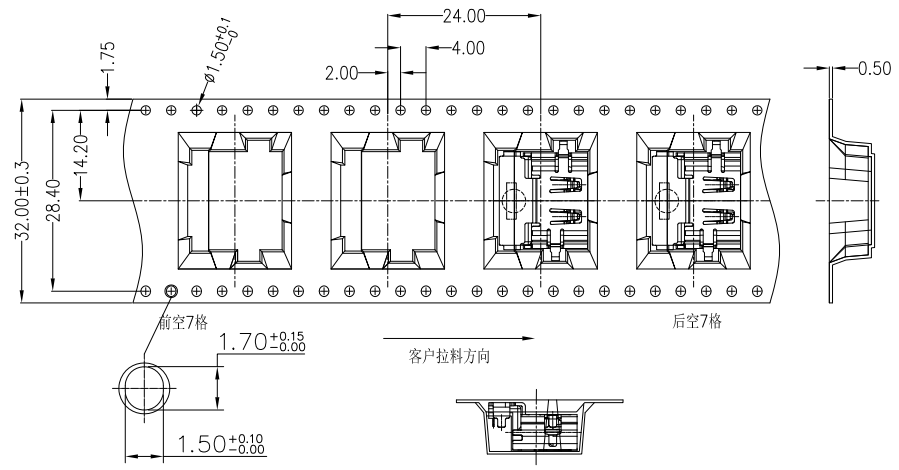
CHT P/N	TABLE A GOLD PLATING THICKNESS
A0859-0003	Au 30u"
A0859-0001	G/F

PRODUCT SPECIFICATION: DOC.No. SP-AXXXX-XX	SCALE 1 : 1	DESIGN UNITS mm
TEST REPORT DOC.No. TR-AXXXX-XX	DRAWN ALLEN	DATE 2020/12/08
GENERAL TOLERANCES (UNLESS SPECIFIED)	CHECKED DATE	APPROVED DATE
X.XXX ± 0.10		
X.XX ± 0.25		
X.X ± 0.38		
ANGULAR ± 3°		
THIRD ANGLE PROJECTION	DWG NO. SA0859-001	

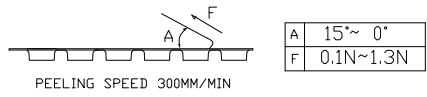
CHT 群匯科技股份有限公司
 CHIUN HUEI Technology CO., LTD.

TITLE HDMI 2.1 A TYPE RECEPTACLE REVERSE CH = -2.21		
PART NO. TABLE A	DWG REV. 04	SHEET NO. 1 OF 1

REVISION HISTORY			
REV	DESCRIPTION	Drawing	DATE
02	TITLE 修改說明	Allen	2022/07/07



1. COVER TAPE PEELING FORCE:



2. PART DIMENSIONS MEET EIA-481-D REQUIREMENT

TABLE

PRODUCT P/N	PARTS PER SHIPPING CARTON	PARTS PER REEL	LOADED REEL PER SHIPPING CARTON
A0859-0003	4500	450	10
A0859-0001			

PRODUCT SPECIFICATION: DOC.No: SP-Axxxx-xx	SCALE 1:1	DESIGN UNITS mm	CHT 群匯科技股份有限公司 CHIUN HUEI Technology CO., LTD.	
TEST REPORT DOC.No: TR-Axxxx-xx	DRAWN Allen	DATE 2022/04/29		
GENERAL TOLERANCES (UNLESS SPECIFIED)	CHECKED Allen	DATE	TITLE HDMI 2.1 A TYPE RECEPTACLE REVERSE CH = -2.21	
X.XXX ± 0.10	APPROVED	DATE		
X.XX ± 0.25 X.X ± 0.38	DATE			
ANGULAR ± 3°	DWG NO. PA0859-001	PART NO. SEE TABLE	DWG REV. 02	SHEET NO. 1 OF 1