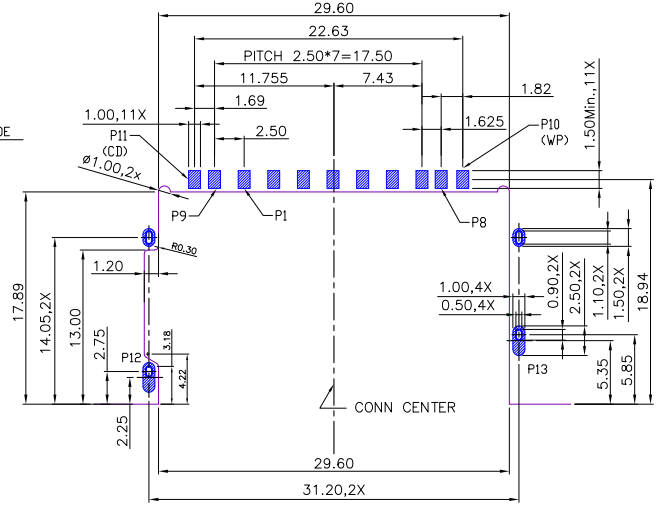
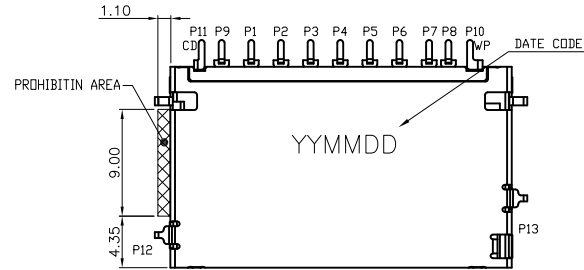
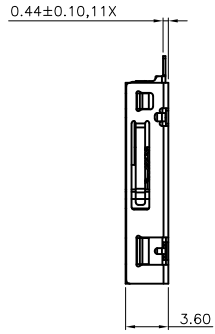
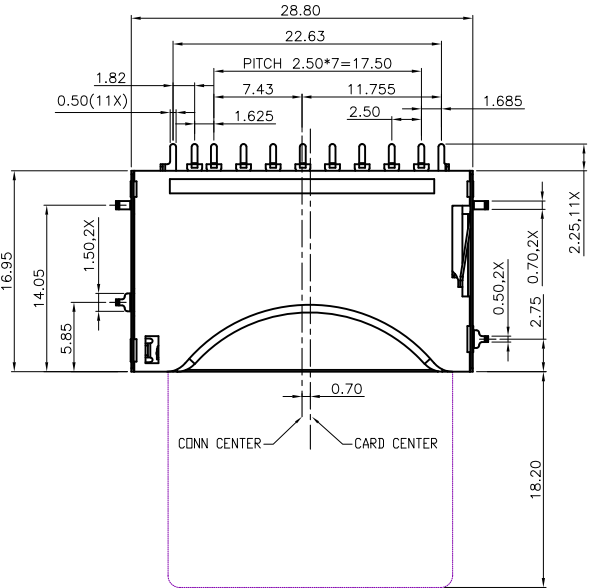
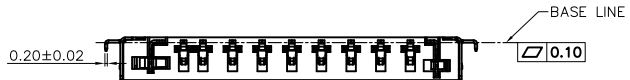
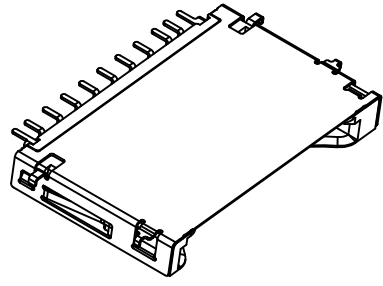
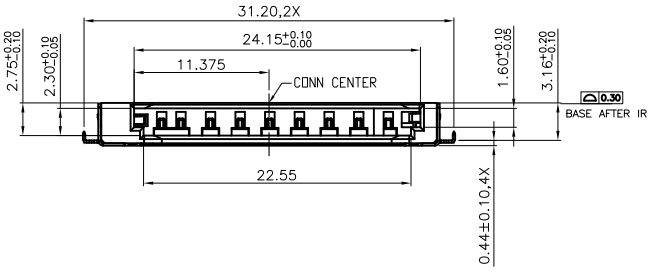


REVISION HISTORY			
REV	DESCRIPTION	Drawing	DATE
A	RELEASE	Sandy	2018/10/29



RECOMENDED PCB LAYOUT  
TOP VIEW(TLERANCE ±0.05)



- NOTE:
- MATERIAL:
    - INSULATOR: HIGH TEMPERATURE THERMOPLASTIC, UL94V-0, COLOR:BLACK
    - CONTACT: COPPER ALLOY.
    - SHELL: STAINLESS
  - FINISH:
    - TERMINAL: 50u" MIN. NICKEL PLATED OVERALL
    - CONTACT: GOLD FLASH
    - TAIL: 120u" MIN MATT-TIN PLATED
    - SHELL: 50u" MIN. NICKEL PLATED OVERALL
  - PRODUCT SPECIFICATION REFER TO SP-A0564-01
  - PACKAGE DRAWING REFER TO PA0564-01
  - PRODUCT MUST CONFORM TO RoHS AND HALOGEN FREE REQUIREMENT

PIN NO	NAME	DESCRIPTION
1	CD/DAT3	CARD DETECT/ DATA I/O
2	CMD	COMMAND
3	VSS1	GROUND
4	VDD	POWER
5	CLK	CLOCK
6	VSS2	GROUND
7	DAT0	DATA I/O
8	DAT1	DATA I/O
9	DAT2	DATA I/O
10	WP	WRITE PROTECT
11	CD	CARD DETECT
12	GND	GND
13	GND	GND

PRODUCT SPECIFICATION: DOC.No: SP-AXXX-XX	SCALE 1 : 1	DESIGN UNITS mm
TEST REPORT DOC.No: TR-AXXX-XX	DRAWN Mei Chen	DATE 2018/02/12
GENERAL TOLERANCES (UNLESS SPECIFIED)	CHECKED DATE	APPROVED DATE
X.XXX ± 0.10		
X.XX ± 0.20		
X.X ± 0.25		
ANGULAR ± 3°		
THIRD ANGLE PROJECTION	DWG NO. SA0564-001	PART NO. A0564-0001

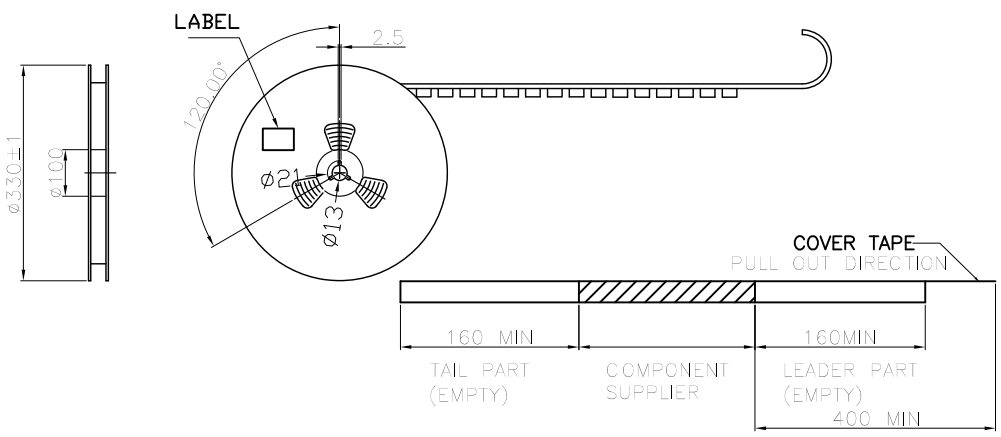
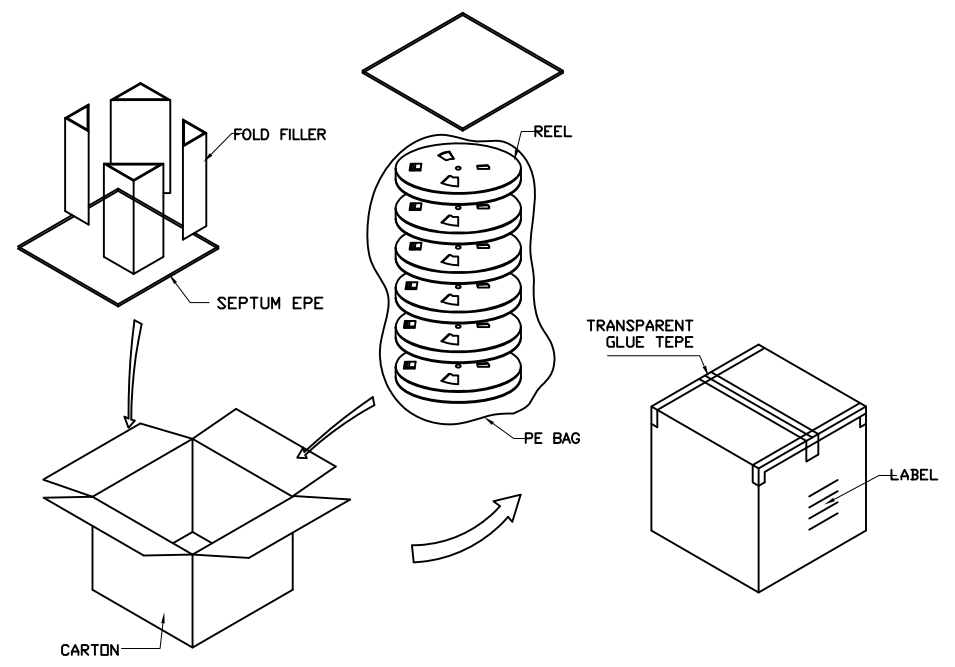
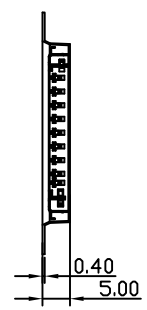
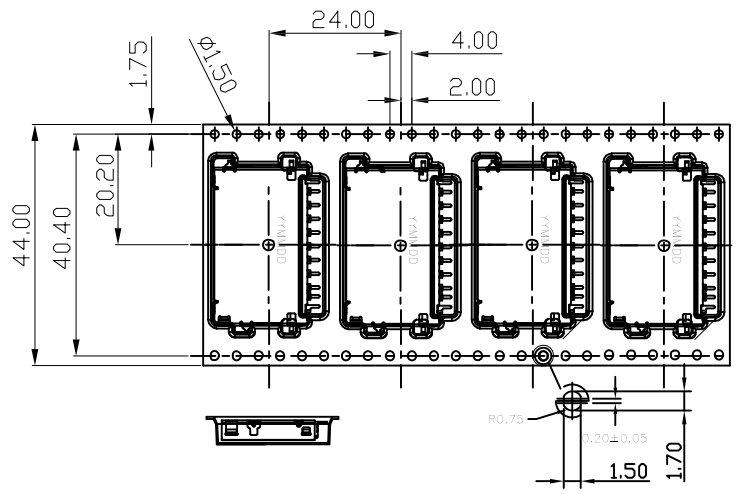
**CHT** 群匯科技股份有限公司  
CHIUN HUEI Technology CO., LTD.

TITLE  
SD NON PUSH REVERSE TYPE  
SINK TYPE

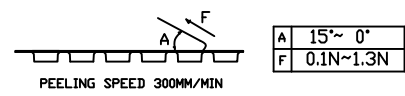
PART NO. A0564-0001	DWG REV. A	SHEET NO. 1 OF 1
------------------------	---------------	---------------------

REVISION HISTORY			
REV	DESCRIPTION	Drawing	DATE
A	RELEASE	Sandy	2018/10/29

INPUT MATERIAL DIRECTION →



1. COVER TAPE PEELING FORCE:



2. PART DIMENSIONS MEET EIA-481-2-A REQUIREMENT

TABLE

PRODUCT P/N	PARTS PER SHIPPING CARTON	PARTS PER REEL	LOADED REEL PER SHIPPING CARTON
A0564-0001	2750	550	5

PRODUCT SPECIFICATION: DOC.No: SP-XXXX-XX	SCALE 1:1	DESIGN UNITS MM
TEST REPORT DOC.No: TR-XXXX-XX	DRAWN Mei Chen	DATE 2018/02/12
GENERAL TOLERANCES (UNLESS SPECIFIED)	CHECKED	DATE
X.XXX ± 0.10	APPROVED	DATE
X.XX ± 0.25		
X.X ± 0.38		
ANGULAR ± 3°		
THIRD ANGLE PROJECTION	DWG NO. PA0564-001	PART NO. A0564-0001

**CHT** 群匯科技股份有限公司  
CHIUN HUEI Technology CO., LTD.

TITLE  
SD NON PUSH REVERSE TYPE  
SINK TYPE

DWG REV. A  
SHEET NO. 1 OF 1