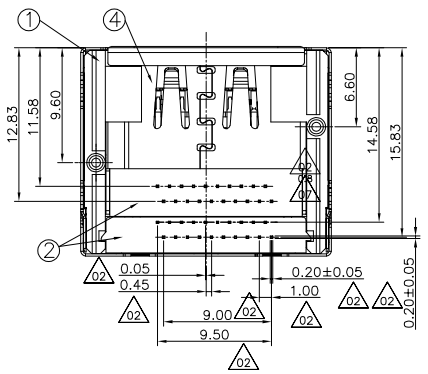
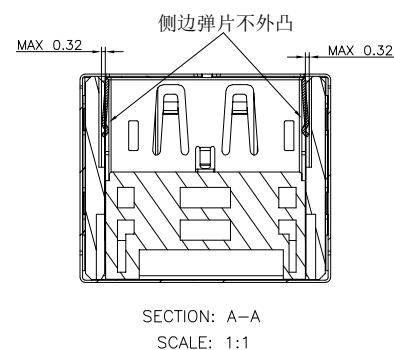
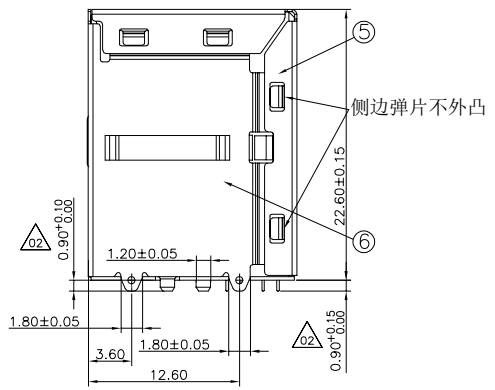
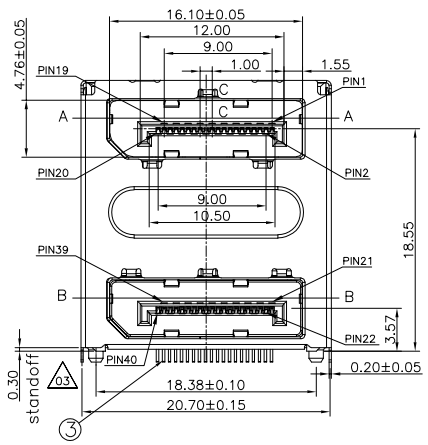
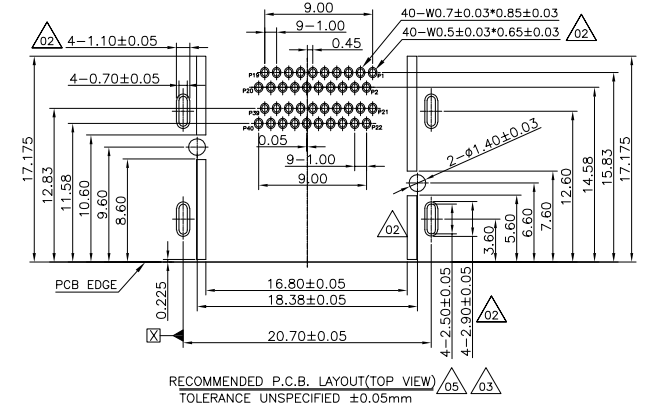
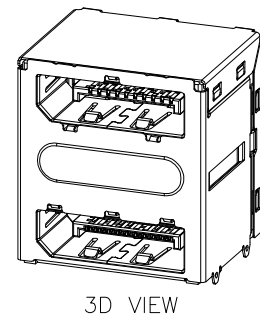
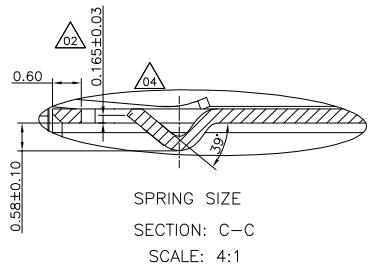
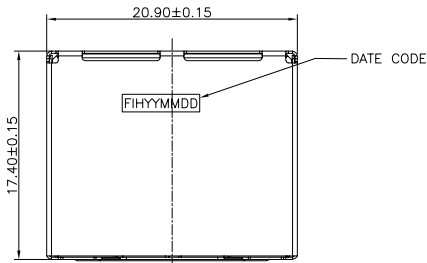


REVISION HISTORY			
REV	DESCRIPTION	Drawing	DATE
08	2D & 3D 微調	Allen	2024/05/07



PIN DEFINITION	
PIN No.	SIGNAL NAME
P1	P21 ML-Lane 0(p)
P2	P22 GND
P3	P23 ML-Lane 0(n)
P4	P24 ML-Lane 1(p)
P5	P25 GND
P6	P26 ML-Lane 1(n)
P7	P27 ML-Lane 2(p)
P8	P28 GND
P9	P29 ML-Lane 2(n)
P10	P30 ML-Lane 3(p)
P11	P31 GND
P12	P32 ML-Lane 3(n)
P13	P33 CONFIG
P14	P34 CONFIG
P15	P35 AUX CH(p)
P16	P36 GND
P17	P37 AUX CH(n)
P18	P38 HOT PLUG DETECT
P19	P39 RETURN
P20	P40 DP PWR

Ni 50U" Min PLATING OVERALL.	SUS304	1	FRONT SHELL	⑥
Ni 50U" Min PLATING OVERALL.	SUS304	1	OUTER SHELL	⑤
CLEAN	SUS304	2	INSIDE SHELL	④
Ni 50U" UNDERPLATING,AU G/F MIN AT CONTACT AREA,Matte tin100U"MIN AT SOLDER AREA	C2680	40	CONTACT	③
COLOR:BLACK	LCP E130i UL94V-0	3	BACK PLUG	②
COLOR:BLACK	LCP E130i UL94V-0	1	HOUSING	①
REMARK	MATERIAL	QTY'S	PART	ITEM

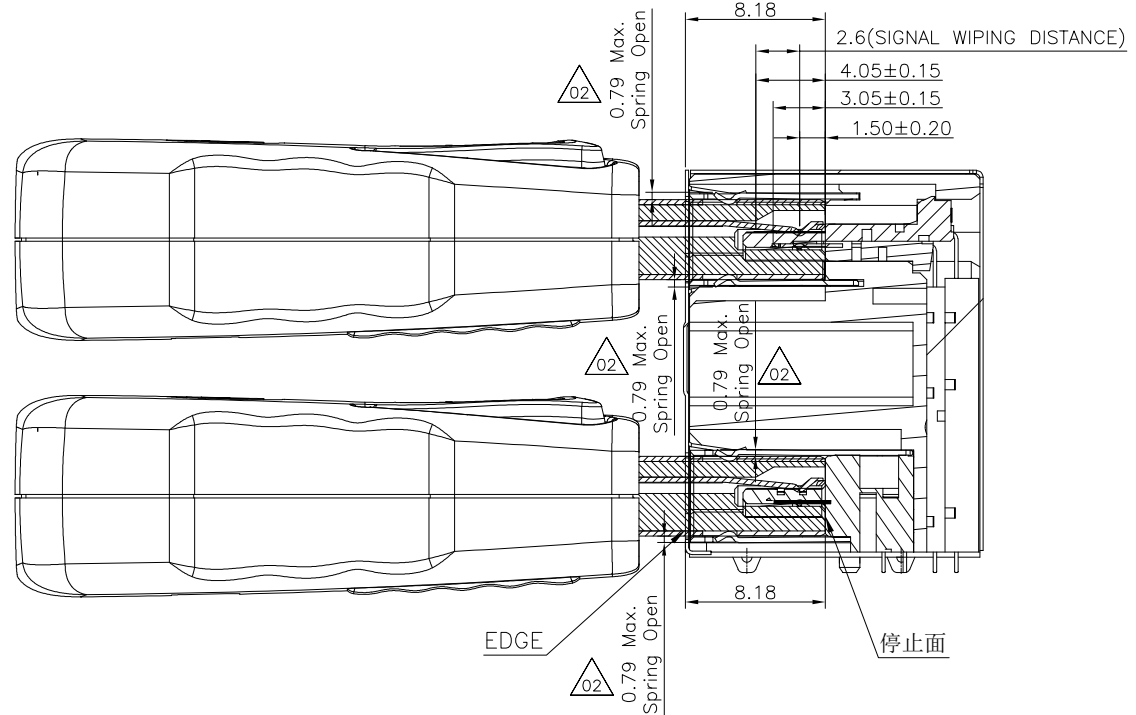
PRODUCT SPECIFICATION: DOC.No: SP-AXXX-001	SCALE 1:1	DESIGN UNITS mm
TEST REPRDT DOC.No: TR-AXXX-001	DRAWN Allen	DATE 2023/12/05
GENERAL TOLERANCES (UNLESS SPECIFIED)	CHECKED	DATE
X.XXX ± 0.20	APPROVED	DATE
X.XX ± 0.25		
X.X ± 0.30		
ANGULAR ± 3°	DWG NO. SA1002-001	PART NO. TABLE A
THIRD ANGLE PROJECTION		DWG REV. 08

**FULLINHOPE Technology, LTD.**

DISPLAYPORT DUAL R/A RECEPTACLE DIP TYPE

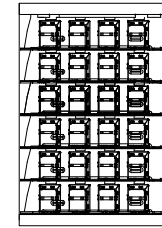
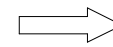
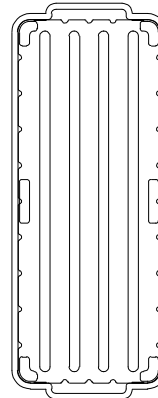
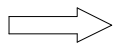
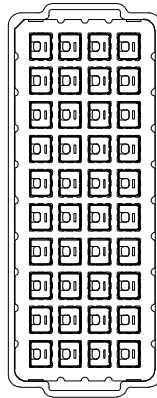
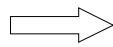
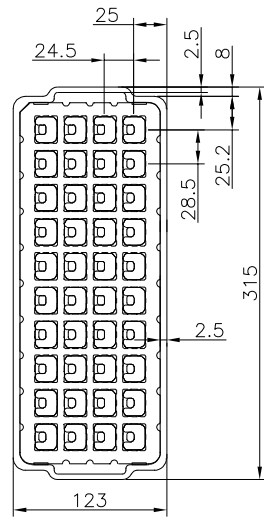
PART NO. TABLE A DWG REV. 08 SHEET NO. 1 OF 2

TABLE	
FIH P/N	TABLE A GOLD PLATING THICKNESS
A1002-0003	Au30u
A1002-0001	G/F

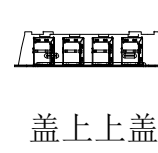
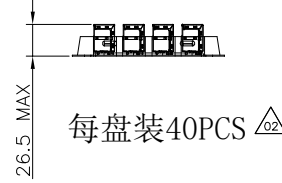
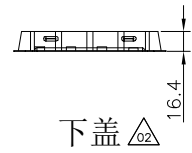


PRODUCT SPECIFICATION: DOC.No: SP-AXXX-001		SCALE 1 : 1	DESIGN UNITS mm	FULLINHOPE Technology, LTD.	
TEST REPORT DOC.No: TR-AXXX-001		DRAWN Allen	DATE 2023/12/05	TITLE	
GENERAL TOLERANCES (UNLESS SPECIFIED)		CHECKED	DATE	DISPLAYPORT DUAL R/A RECEPTACLE DIP TYPE	
X.XXX	± 0.20	APPROVED	DATE		
X.XX	± 0.25				
X.X	± 0.30				
ANGULAR ± 3°		DWG NO. SA1002-001	PART NO. TABLE A	DWG REV. 08	SHEET NO. 2 OF 2
THIRD ANGLE PROJECTION					

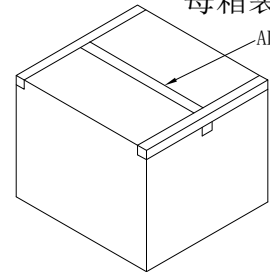
REVISION HISTORY			
REV	DESCRIPTION	Drawing	DATE
02	修改形状、尺寸及数量	Allen	2024/03/12



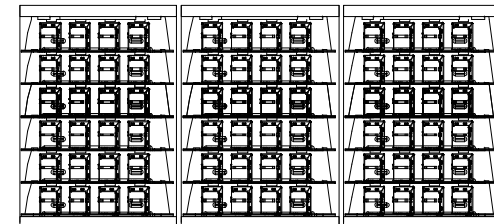
6盘为一叠,  $\triangle_{0.2}$   
上下添加珍珠棉,  
四周用PE带缠好



每箱装3叠共720PCS  $\triangle_{0.2}$



纸箱四周添加缓冲物  
纸箱规格为: 350\*420\*225CM



堆叠方式

TABLE

PRODUCT P/N	PARTS PER TRAY(S.P.Q.)	TOTAL TRAY PER PRIMARY CARTON	PARTS PER SHIPPING CARTON
A1002-0003	40 PCS	18 PCS	720 PCS
A1002-0001			

PRODUCT SPECIFICATION: DOC.No. SP-Axxxx-001	SCALE 1 : 1	DESIGN UNITS mm	FULLINHOPE Technology, LTD.	
TEST REPORT DOC.No. TR-Axxxx-001	DRAWN Allen	DATE 2023/12/05	TITLE DISPLAYPORT DUAL R/A RECEPTACLE DIP TYPE	
GENERAL TOLERANCES (UNLESS SPECIFIED)	CHECKED	DATE		
X.XXX ± 0.20	APPROVED	DATE		
X.XX ± 0.20				
X.X ± 0.25				
ANGULAR ± 3				
THIRD ANGLE PROJECTION	DWG NO. PA1002-001	PART NO. SEE TABLE	DWG REV. 02	SHEET NO. 1 OF 1