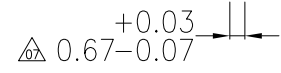
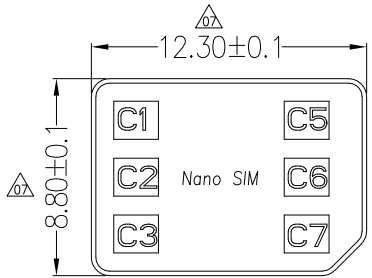
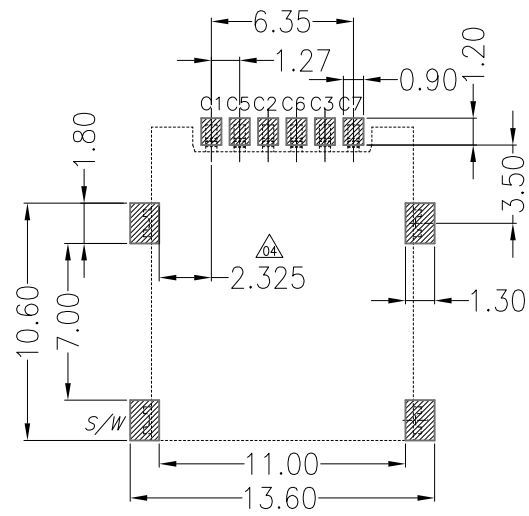
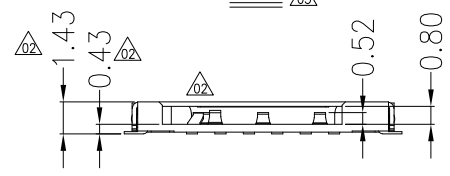
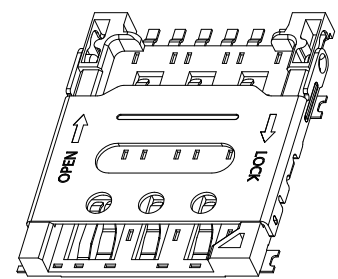
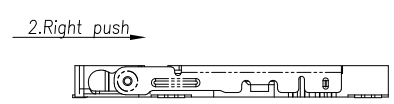
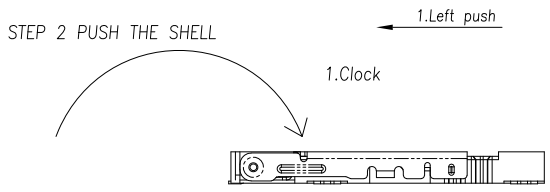
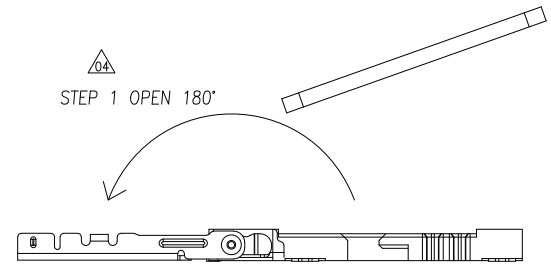
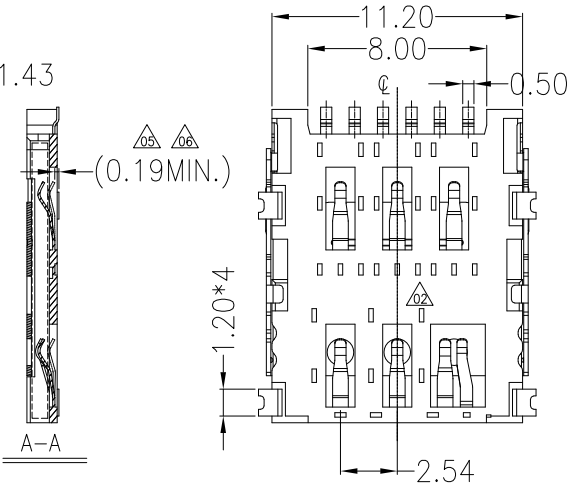
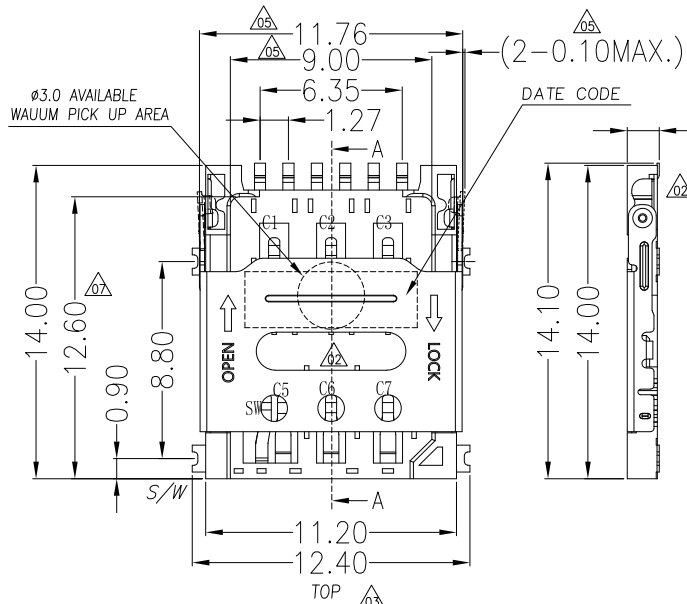


REVISION HISTORY			
REV	DESCRIPTION	Drawing	DATE
07	新增修改尺寸標註及修改NOTE	Allen	2022/03/21



- NOTE:
- MATERIAL:
 - INSULATOR: LCP S475 BLACK, UL94V-0
 - CONTACT: C5210.
 - SHELL: SUS 304.
 - FINISH:
 - CONTACT: 50u" MIN. NICKEL PLATED OVERALL
SELECTIVE GOLD PLATED, SEE TABLE A
 - SHELL: 30u" MIN. NICKEL PLATED OVERALL
 - PRODUCT SPECIFICATION REFER TO SP-A0876-01
 - PACKAGE DRAWING REFER TO PA0876-01
 - HALOGEN FREE PRODUCT IDENTIFICATION LABEL ON PACKING.

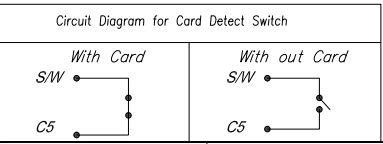
PIN NO.	PIN NAME
C1	VCC
C2	RST
C3	CLK
C5	GND
C6	VPP
C7	I/O
S/W	SWITSH PIN

PRODUCT SPECIFICATION: DOC.No: SP-AXXXX-XX	SCALE 1 : 1	DESIGN UNITS mm
TEST REPORT DOC.No: TR-AXXXX-XX	DRAWN Allen	DATE 2021/04/21
GENERAL TOLERANCES (UNLESS SPECIFIED)	CHECKED	DATE
X.XXX ± 0.10	APPROVED	DATE
X.XX ± 0.25	DWG NO. SA0876-001	PART NO. TABLE A
X.X ± 0.35	THIRD ANGLE PROJECTION	DWG REV. 07
ANGULAR ± 3°		SHEET NO. 1 OF 1

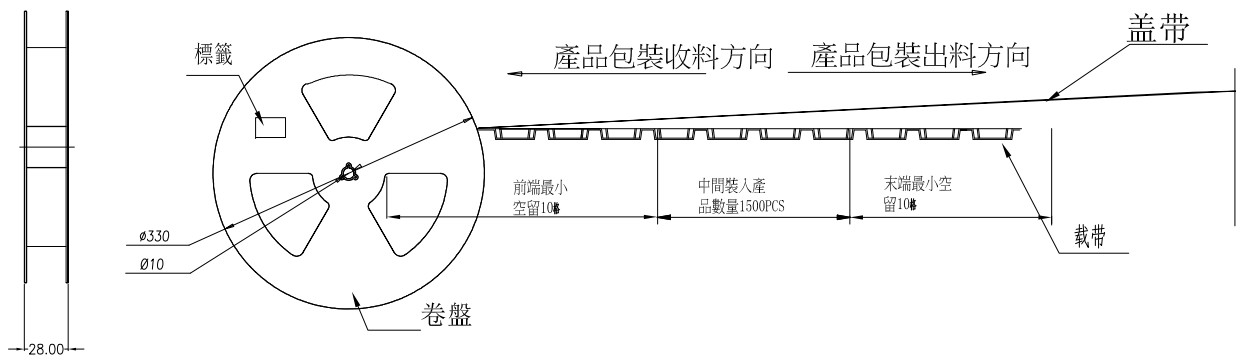
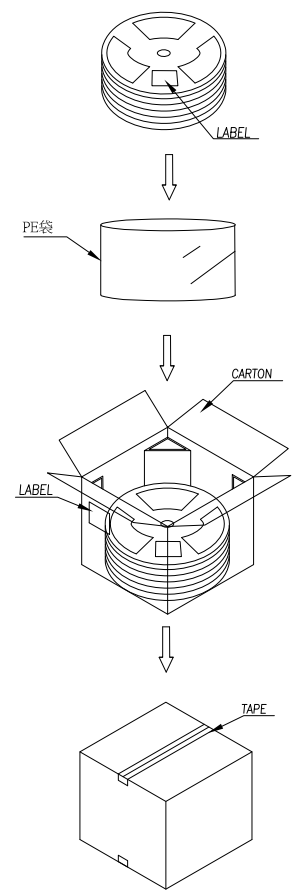
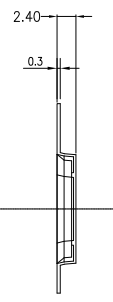
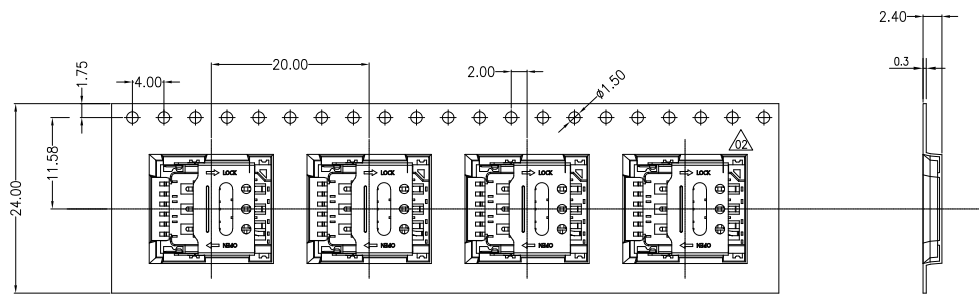
FULLINHOPE Technology, LTD.

NANO SIM 1.43H HINGE TYPE

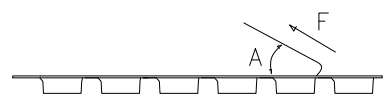
TABLE A	
FIH P/N	GOLD PLATING THICKNESS
A0876-0003	Au 30u"
A0876-0001	G/F



REVISION HISTORY			
REV	DESCRIPTION	Drawing	DATE
02	圖形調整	Allen	2021/05/04



1. COVER TAPE PEELING FORCE:



A	15° ~ 0°
F	0.1N ~ 1.3N

PEELING SPEED 300MM/MIN

2. PART DIMENSIONS MEET EIA-481-D REQUIREMENT

TABLE

PRODUCT P/N	PARTS PER SHIPPING CARTON	PARTS PER REEL (S.P.Q.)	TOTAL REELS PER SHIPPING CARTON	
A0876-0003	15000(PCS)	1500(PCS)	10	
A0876-0001				
PRODUCT SPECIFICATION: DOC.No: SP-AXXXX-001 TEST REPORT DOC.No: TR-AXXXX-001	SCALE 1 : 1	DESIGN UNITS mm	FULLINHOPE Technology, LTD. NANO SIM 1.43H HINGE TYPE	
GENERAL TOLERANCES (UNLESS SPECIFIED)	DRAWN Allen	DATE 2021/04/21		
X.XXX ± 0.20	CHECKED	DATE		
X.XX ± 0.20	APPROVED	DATE		
XX ± 0.25				
ANGULAR ± 3°				
THIRD ANGLE PROJECTION	DWG NO. PA0876-001	PART NO. SEE TABLE	DWG REV. 02	SHEET NO. 1 OF 1