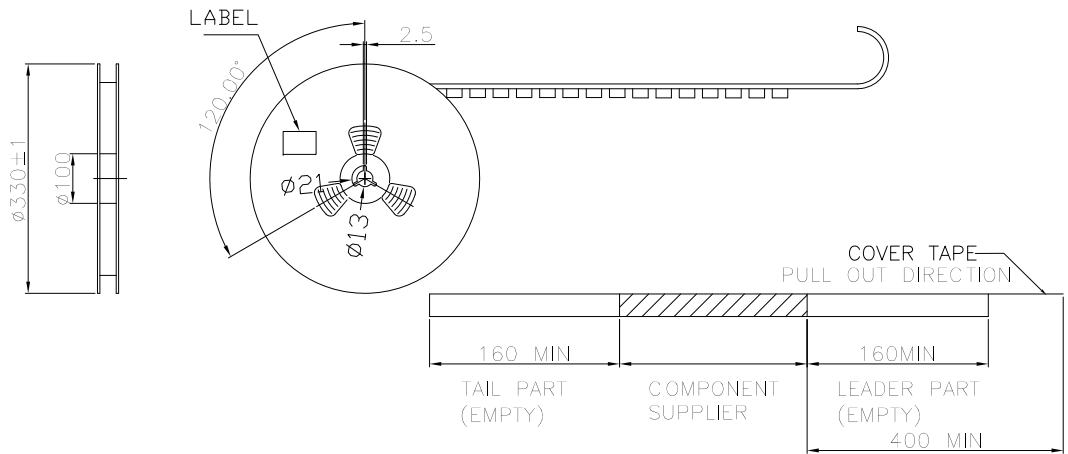
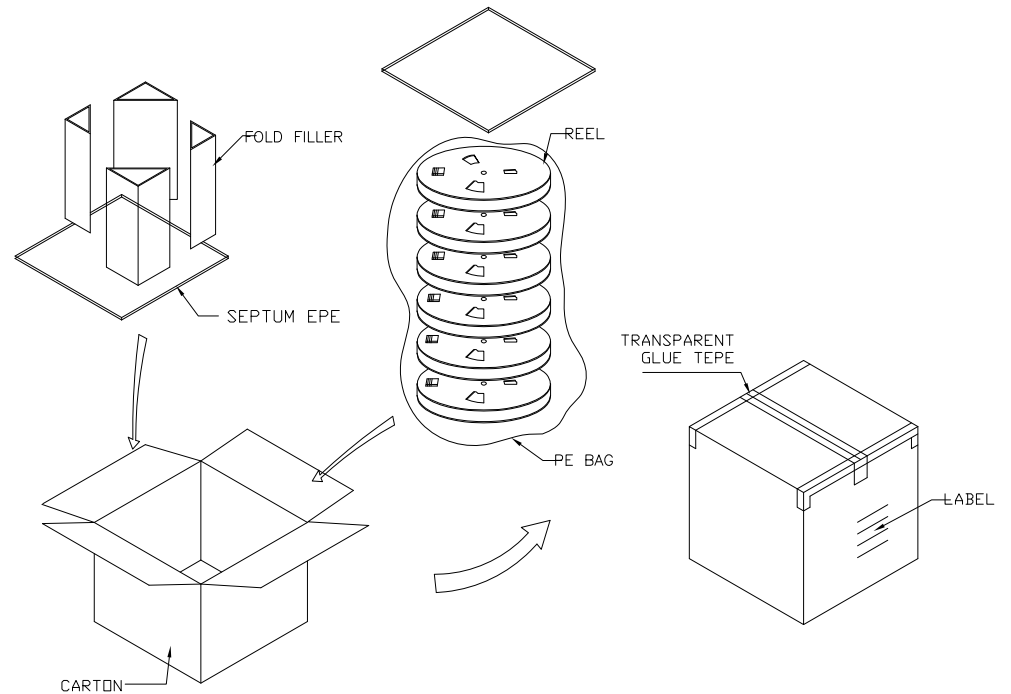
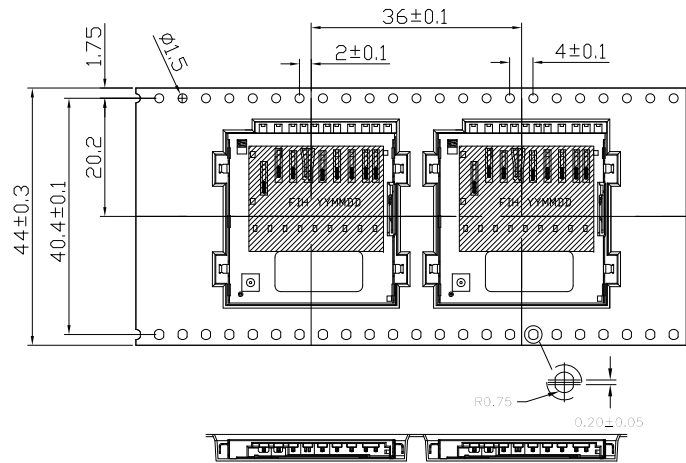
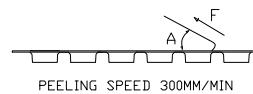


REVISION HISTORY			
REV	DESCRIPTION	Drawing	DATE
01	PROPOSAL	Mei Chen	2019/07/12

INPUT MATERIAL DIRECTION →



1. COVER TAPE PEELING FORCE:



A	15°~ 0°
F	0.1N~1.3N

2. PART DIMENSIONS MEET EIA-481-2-A REQUIREMENT

TABLE

PRODUCT P/N	PARTS PER SHIPPING CARTON	PARTS PER REEL	LOADED REEL PER SHIPPING CARTON
A0741-0001	1500	300	5

PRODUCT SPECIFICATION: DOC.No: SP-AXXXX-001	SCALE 1 : 1	DESIGN UNITS mm	FULLINHOPE Technology, LTD.	
TEST REPORT DOC.No: TR-AXXXX-001	DRAWN Mei Chen	DATE 2019/07/12		
GENERAL TOLERANCES (UNLESS SPECIFIED)	CHECKED	DATE	SD CARD SLOT CONNECTOR P-P REVERSE DIP TYPE SINK 2.07	
X.XXX ± 0.20	APPROVED	DATE		
X.XX ± 0.20 X ± 0.25				
ANGULAR ± 3°	DWG NO. PA0741-001	PART NO. A0741-0001	DWG REV. 01	SHEET NO. 1 OF 1