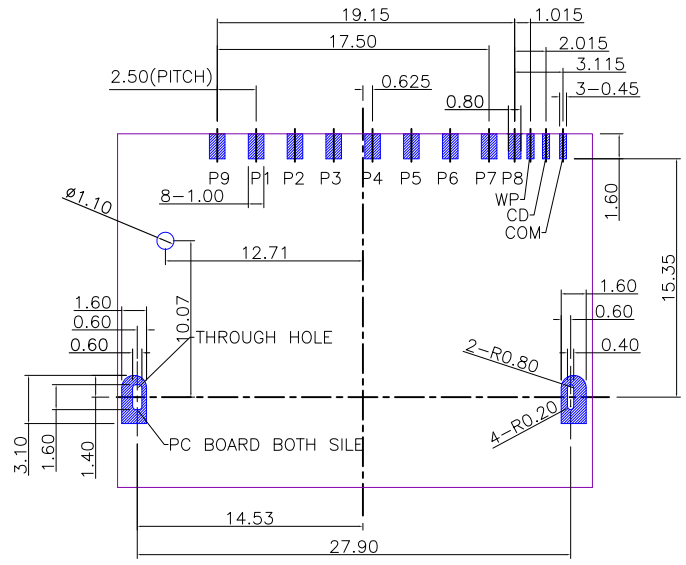
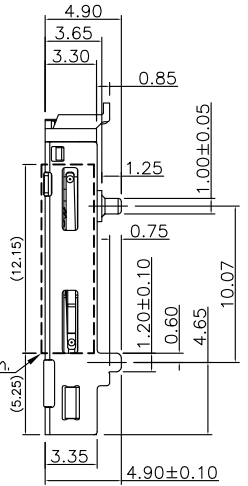
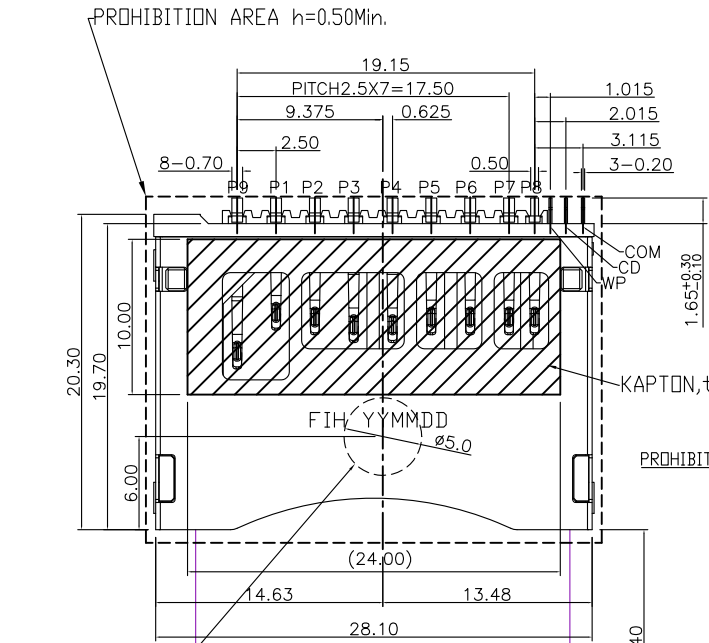


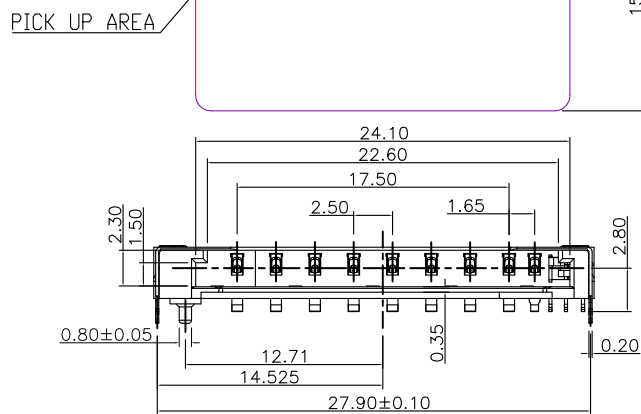
REVISION HISTORY			
REV	DESCRIPTION	Drawing	DATE
A	RELEASE	Mei Chen	2014/11/18
B	RELEASE	Mei Chen	2015/05/18

NOTES:

- MATERIAL:
  - HOUSING: LCP UL94 V-0  
COLOR: BLACK.
  - CONTACT: C5210
  - SHELL: SUS304
  - KAPTON: PI FILM, HIGH TEMP.
- PLATING:
  - CONTACT: GOLD FLASH ON CONTACT AREA  
100 μ" MIN. MATTE-TIN ON SOLDERING TAILS  
50 μ" MIN. NICKEL UNDERPLATING OVER ALL
  - SHELL: 50 μ" MIN. NICKEL UNDERPLATING OVER ALL
- PACKAGING DRAWING REFER TO PA0131-001
- DATE:YY<YEAR>,MM<MONTH>,DD<DATE>.



RECOMMEND P.C.B LAYOUT  
GENERAL TOLERANCE ±0.05



PIN NO.	SD NAME	MMC NAME
P1	CD/DAT3	RSV
P2	CMD	CMD
P3	VSS	VSS
P4	VDD	VDD
P5	CLK	CLK
P6	VSS	VSS
P7	DAT0	DAT
P8	DAT1	
P9	DAT2	

PRODUCT SPECIFICATION: DOC.No: SP-A0119-01	SCALE 1 : 1	DESIGN UNITS mm
TEST REPORT DOC.No: TR-A0289-01	DRAWN Mei Chen	DATE 2014/09/30
GENERAL TOLERANCES (UNLESS SPECIFIED)	CHECKED	DATE
X.XXX ± 0.20	APPROVED	DATE
X.XX ± 0.20		
X.X ± 0.25		
ANGULAR ± 3°		
THIRD ANGLE PROJECTION	DWG NO. SA0289-001	PART NO. A0289-0001

FULLINHOPE Technology, LTD.		
TITLE SD CARD CONNECTOR TYPE FOR REVERSE		
DWG REV. B	SHEET NO. 1 OF 2	

10

9

8

7

6

5

4

3

2

1

F

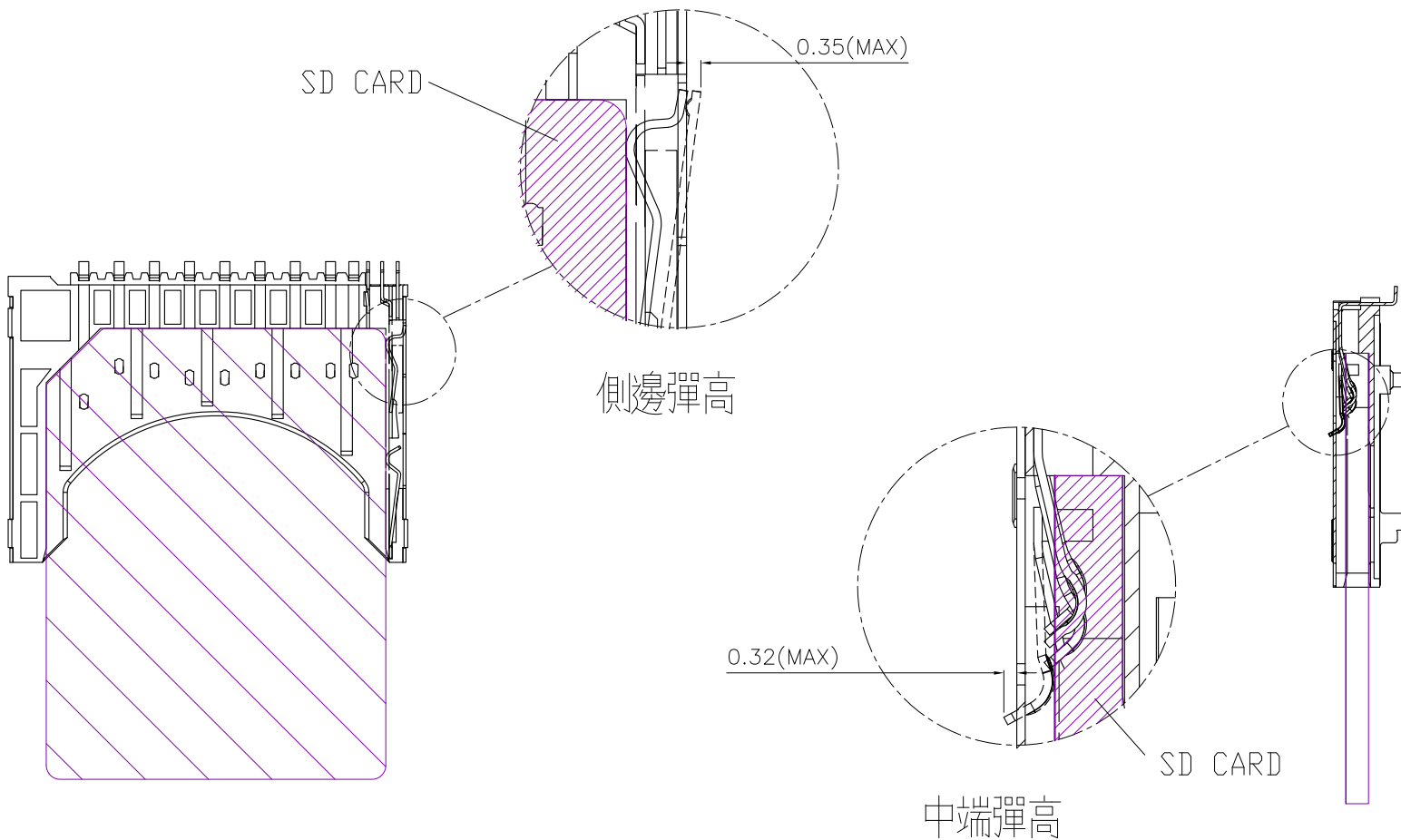
E

D

C

B

A



PRODUCT SPECIFICATION: DOC.No. SP-A0119-01		SCALE 1 : 1	DESIGN UNITS mm	FULLINHOPE Technology, LTD.	
TEST REPORT DOC.No. TR-A0289-01		DRAWN Mei Chen	DATE 2014/09/30	TITLE SD CARD CONNECTOR TYPE FOR REVERSE	
GENERAL TOLERANCES (UNLESS SPECIFIED)		CHECKED	DATE		
X.XXX	± 0.20	APPROVED	DATE		
X.XX	± 0.20				
X.X	± 0.25				
ANGULAR ± 3°					
THIRD ANGLE PROJECTION		DWG NO. SA0289-001	PART NO. A0289-0001	DWG REV. B	SHEET NO. 2 OF 2

9

8

7

6

5

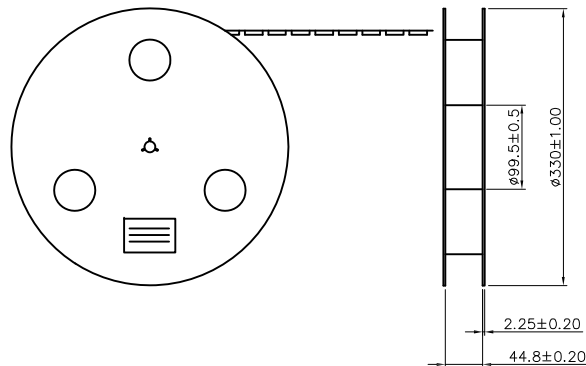
4

3

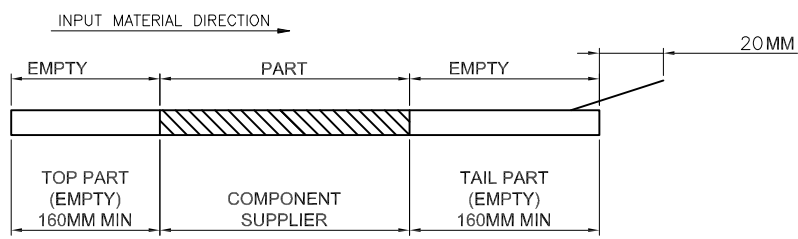
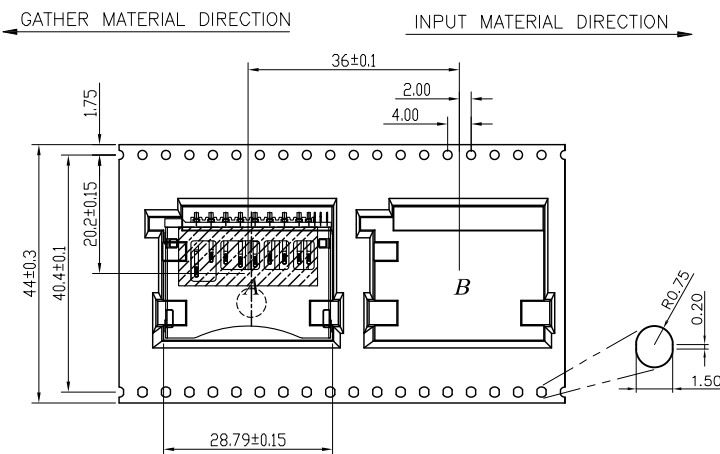
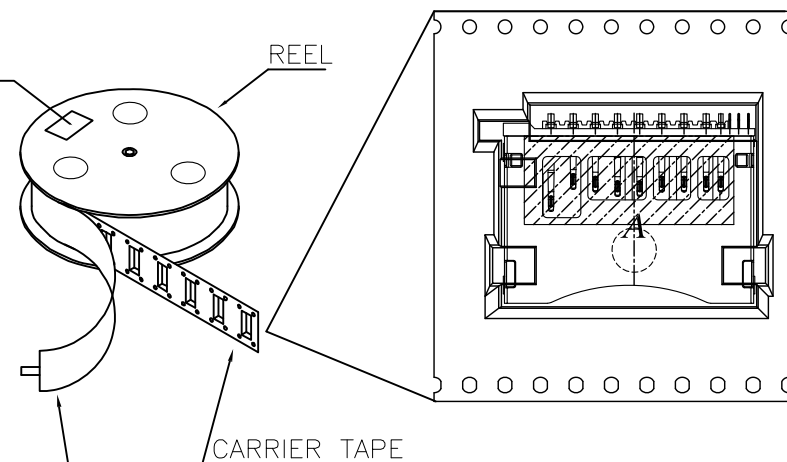
2

1

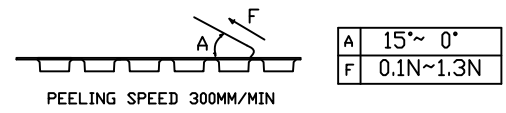
REVISION HISTORY			
REV	DESCRIPTION	Drawing	DATE
A	RELEASE	Mei Chen	2014/11/18



Location of label sticking (label at small positioning hole of the carrier tape side).



1. COVER TAPE PEELING FORCE:



2. PART DIMENSIONS MEET EIA-481-2-A REQUIREMENT

PRODUCT P/N	PARTS PER SHIPPING CARTON	PARTS PER REEL (S.P.Q.)	TOTAL REELS PER SHIPPING CARTON
A0289-0001	1500(PCS)	300(PCS)	5

PRODUCT SPECIFICATION: DOC.No: SP-AXXX-XX	SCALE 1 : 1	DESIGN UNITS mm	FULLINHOPE Technology, LTD.	
TEST REPORT DOC.No: TR-AXXX-XX	DRAWN Mei Chen	DATE 2014/10/09	TITLE SD CARD CONNECTOR TYPE FOR REVERSE	
GENERAL TOLERANCES (UNLESS SPECIFIED)	CHECKED	DATE		
X.XXX ± 0.20	APPROVED	DATE		
X.XX ± 0.20				
X.X ± 0.25				
ANGULAR ± 3°				
THIRD ANGLE PROJECTION	DWG NO. PA0289-001	PART NO. A0289-0001	DWG REV. A	SHEET NO. 1 OF 1