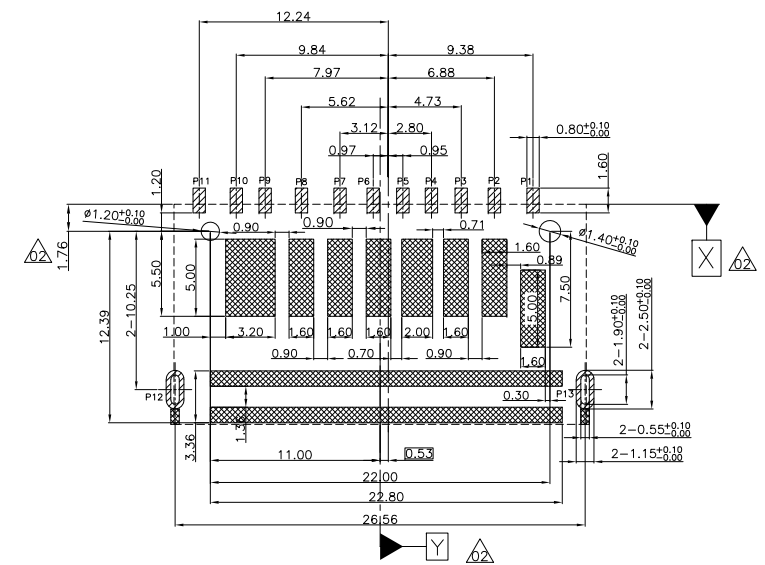
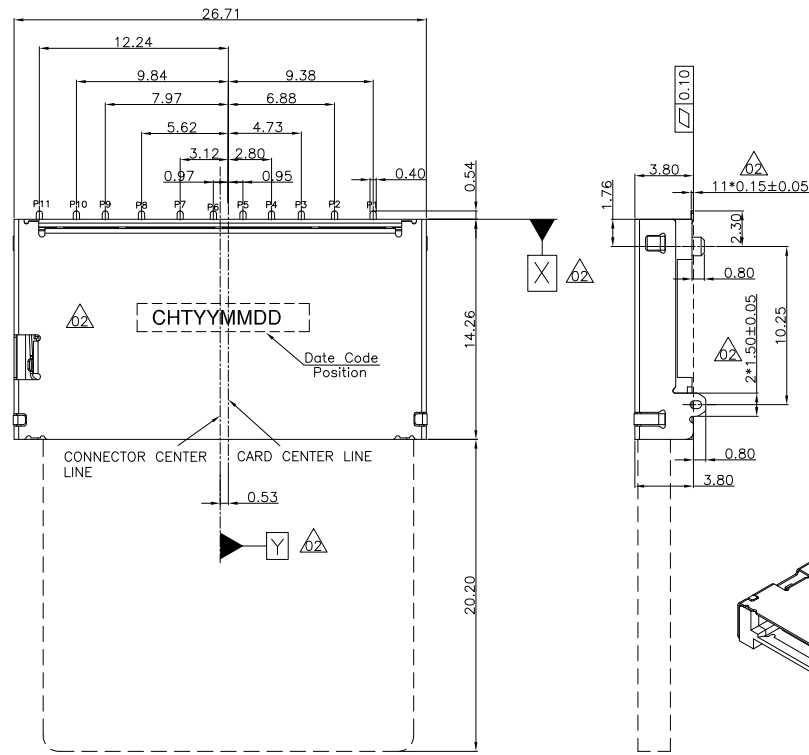


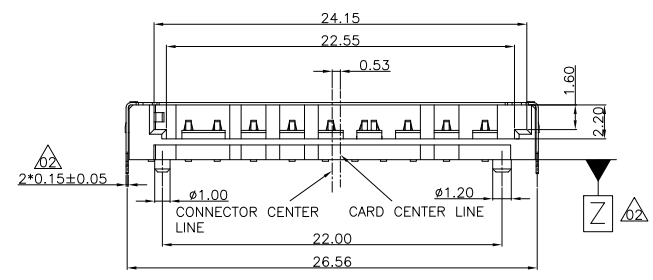
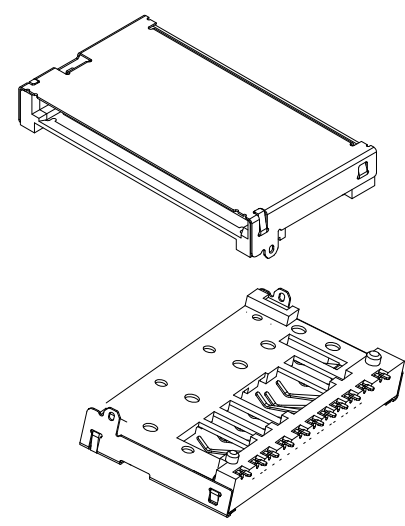
REVISION HISTORY			
REV	DESCRIPTION	Drawing	DATE
02	鐵殼形狀變及增加標註	Allen	2020/09/09



RECOMMEND P.C.B LAYOUT TOLERANCE ±0.05

PAD
 No trace, no test point, no via hole, no ground area

- NOTE:
- MATERIAL:
 - INSULATOR: HIGH TEMPERATURE THERMOPLASTIC, UL94V-0, COLOR: BLACK
 - CONTACT: COPPER ALLOY.
 - SHELL: STAINLESS
 - FINISH:
 - TERMINAL: 50μ" MIN. NICKEL PLATED OVERALL
 - CONTACT: GOLD FLASH
 - TAIL: 80μ" MIN MATT-TIN PLATED
 - SHELL: 50μ" MIN. NICKEL PLATED OVERALL
 - PRODUCT SPECIFICATION REFER TO SP-A0705-01
 - PACKAGE DRAWING REFER TO PA0705-01
 - PRODUCT MUST CONFORM TO RoHS AND HALOGEN FREE REQUIREMENT



Connector Pin No.	SD Card Pin No.	Pin Define
P1	P9	DAT2
P2	P1	DAT3
P3	P2	CMD
P4		CD
P5	P3	VSS1
P6	P4	VDD
P7	P5	CLK
P8	P6	VSS2
P9	P7	DAT0
P10	P8	DAT1
P11		W/P
P12~P13		GND

PRODUCT SPECIFICATION: DOC.No: SP-A0705-01	SCALE	DESIGN UNITS
TEST REPORT DOC.No: TR-A0705-01	1 : 1	mm
GENERAL TOLERANCES (UNLESS SPECIFIED)	DRAWN	DATE
X.XXX ± 0.10	Mei Chen	2019/04/08
X.XX ± 0.20	CHECKED	DATE
X.X ± 0.25	APPROVED	DATE
ANGULAR ± 3°	DWG NO.	PART NO.
THIRD ANGLE PROJECTION	SA0705-001	A0705-0001

CHT 群匯科技股份有限公司
CHIUN HUEI Technology CO., LTD.

TITLE		
SD CARD NON PUSH Top-Mount, H=3.8		
DWG REV.	SHEET NO.	
02	1 OF 1	

FIH P/N	TABLE A GOLD PLATING THICKNESS
A0705-0003	Au30u
A0705-0001	G/F

WITHOUT CARD	CARD INSERTED-LOCK	CARD INSERTED-UNLOCK
W/P GND	W/P GND	W/P GND
C/D VSS1 P3	C/D VSS1 P3	C/D VSS1 P3