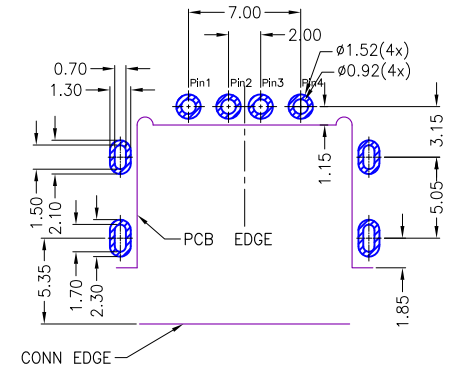
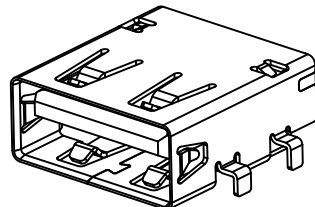
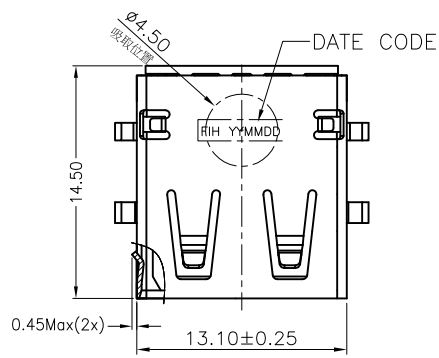
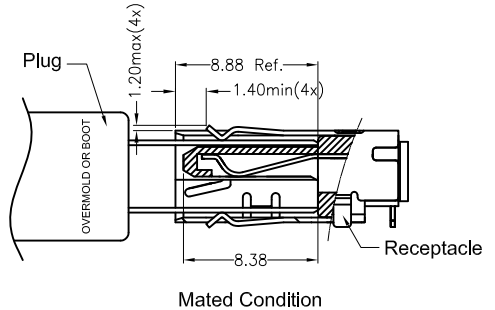
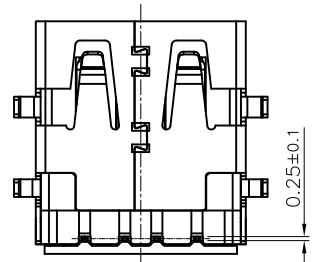
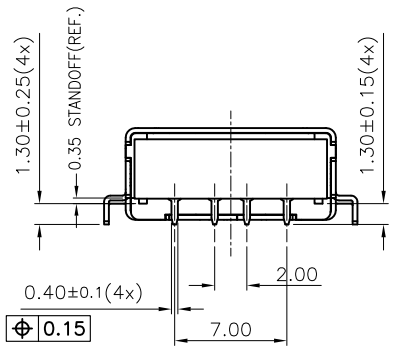
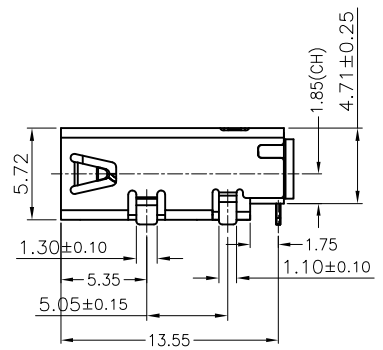
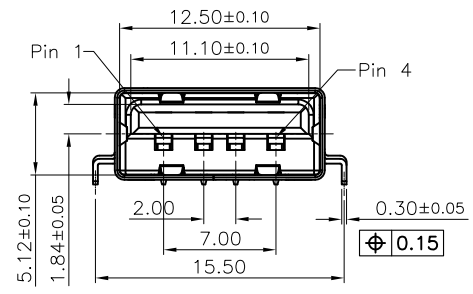


| REVISION HISTORY | | | |
|------------------|-------------|---------|------------|
| REV | DESCRIPTION | Drawing | DATE |
| A | RELEASE | Sandy | 2018/02/07 |



RECOMMEND PCB LAYOUT
TOLERANCES: ± 0.05



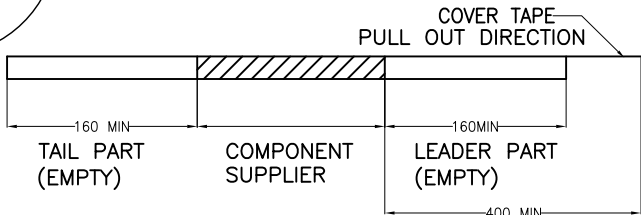
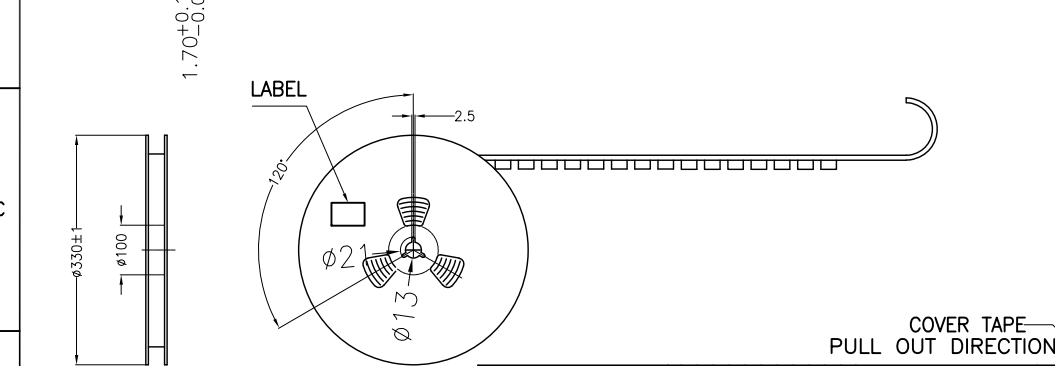
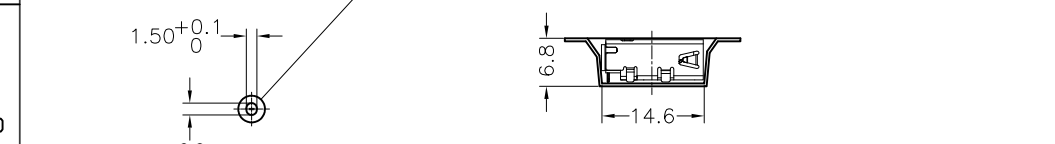
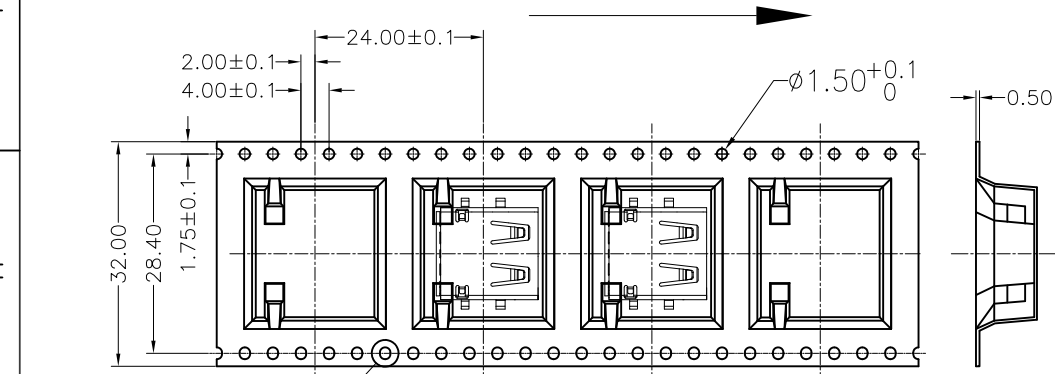
- NOTE:
- MATERIAL:
 - INSULATOR: LCP, UL94 V-0, BLACK
 - CONTACT: C5191
 - SHELL: SUS304
 - FINISH:
 - TERMINAL: 50u" MIN. NICKEL PLATED OVERALL
 - CONTACT: SELECTIVE GOLD PLATED, SEE TABLE A
 - TAIL: 100u" MATT-TIN PLATED
 - SHELL: 80u" MIN. NICKEL PLATED OVERALL
 - PRODUCT SPECIFICATION REFER TO SP-A0539-01
 - PACKAGE DRAWING REFER TO PA0539-01
 - PRODUCT MUST CONFORM TO RoHS AND HALOGEN FREE REQUIREMENT

| PIN NUMBER | PIN DEFINE | TABLE | |
|------------|------------|------------|------------------------|
| PIN1 | VBUS | FIH P/N | TABLE A |
| PIN2 | D- | A0539-0004 | GOLD PLATING THICKNESS |
| PIN3 | D+ | A0539-0004 | Au2u" + 30u" Pd/Ni |
| PIN4 | GND | A0539-0001 | G/F |

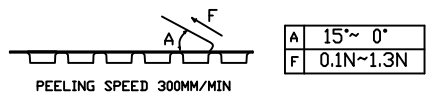
| | | |
|---|-----------------------|--------------------|
| PRODUCT SPECIFICATION: DOC.No: SP-A0539-01 | SCALE 1 : 1 | DESIGN UNITS mm |
| TEST REPORT DOC.No: TR-A0539-01 | DRAWN Mei Chen | DATE 2017/09/26 |
| GENERAL TOLERANCES (UNLESS SPECIFIED) | CHECKED | DATE |
| X.XXX ± 0.20 | APPROVED | DATE |
| X.XX ± 0.20 | | |
| X.X ± 0.25 | | |
| ANGULAR $\pm 3^\circ$ | | |
| THIRD ANGLE PROJECTION | DWG NO. SA0539-001 | |

| | | |
|---|---------------|---------------------|
| FULLINHOPE Technology, LTD. | | |
| TITLE USB2.0 A-type receptacle C/H=1.85mm | | |
| PART NO. TABLE A | DWG REV. A | SHEET NO. 1 OF 1 |

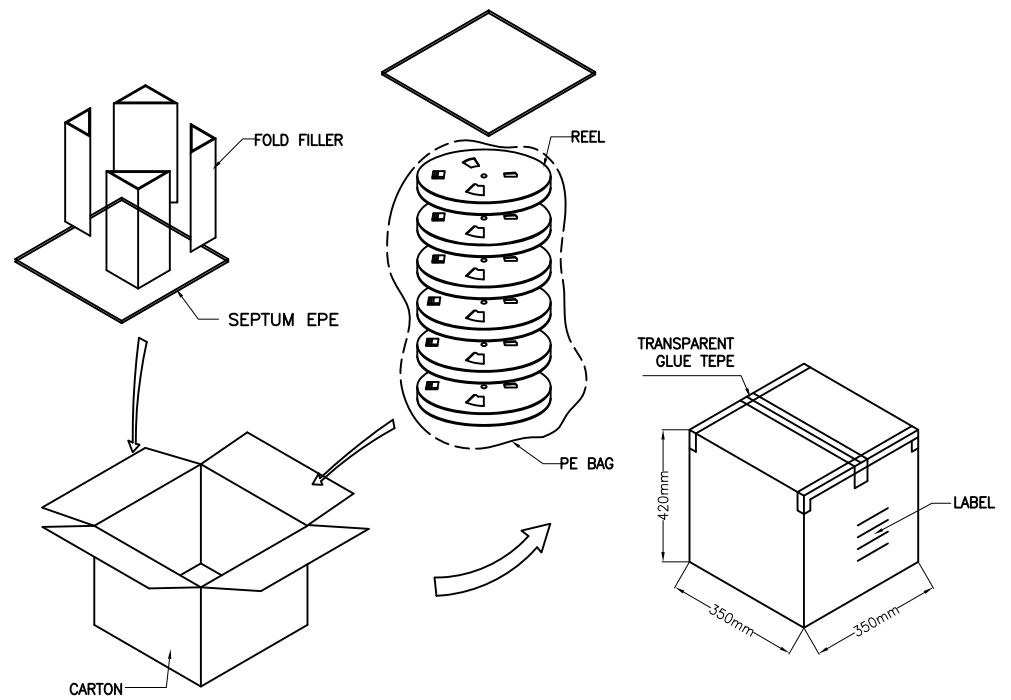
| REVISION HISTORY | | | |
|------------------|-------------|---------|------------|
| REV | DESCRIPTION | Drawing | DATE |
| A | RELEASE | Sandy | 2018/02/07 |



1.COVER TAPE PEELING FORCE:



2.PART DIMENSIONS MEET EIA-481-2-A REQUIREMENT



TABLE

| PRODUCT P/N | PARTS PER SHIPPING CARTON | PARTS PER REEL | LOADED REEL PER SHIPPING CARTON |
|-------------|---------------------------|----------------|---------------------------------|
| A0539-0004 | 4000 | 400 | 10 |
| A0539-0001 | | | |

| | | | | |
|--|-----------------------|-----------------------|---|---------------------|
| PRODUCT SPECIFICATION: DOC.No: SP-Axxxx-001 | SCALE 1 : 1 | DESIGN UNITS mm | FULLINHOPE Technology, LTD. | |
| TEST REPORT DOC.No: TR-Axxxx-001 | DRAWN Mei Chen | DATE 2017/09/26 | TITLE USB2.0 A-type receptacle C/H=1.85mm | |
| GENERAL TOLERANCES (UNLESS SPECIFIED) | CHECKED | DATE | | |
| X.XXX ± 0.20 | APPROVED | DATE | | |
| X.XX ± 0.20 | | | | |
| X.X ± 0.25 | | | | |
| ANGULAR ± 3° | | | | |
| THIRD ANGLE PROJECTION | DWG NO. PA053-0019 | PART NO. SEE TABLE | DWG REV. A | SHEET NO. 1 OF 1 |