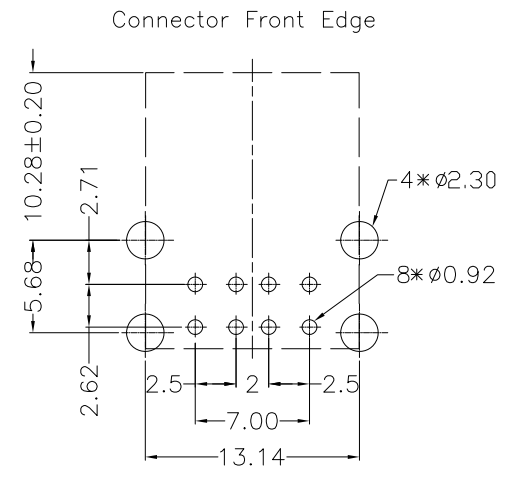
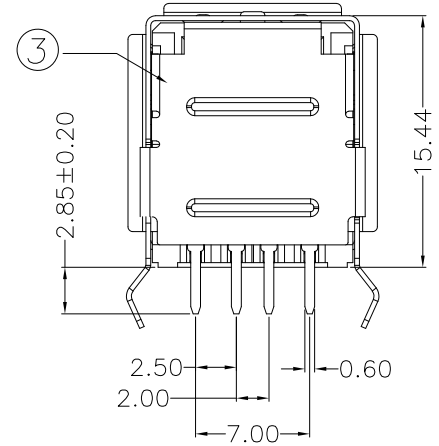
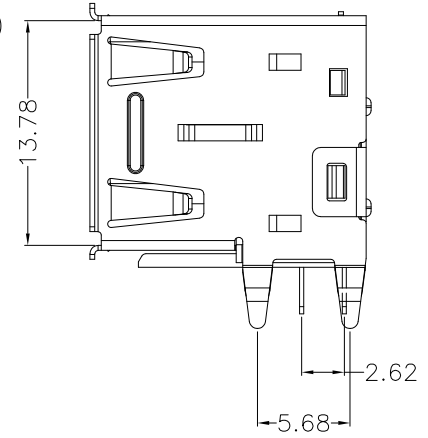
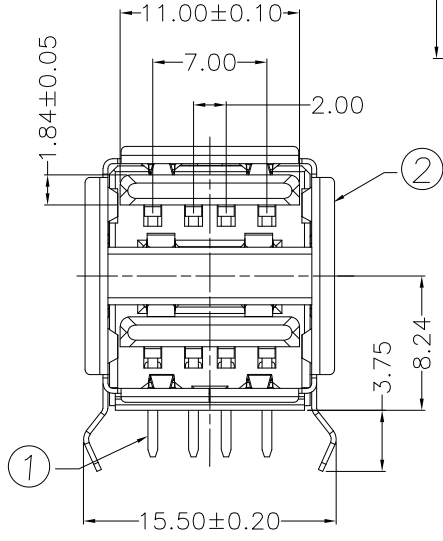
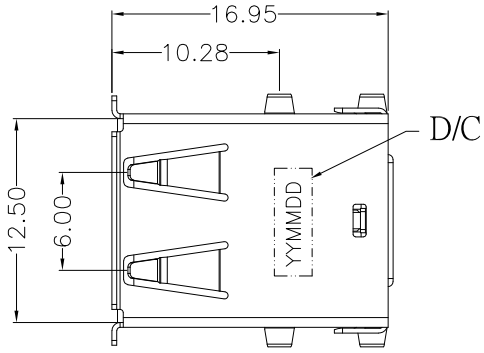
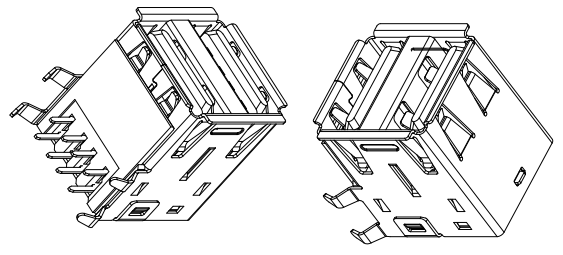
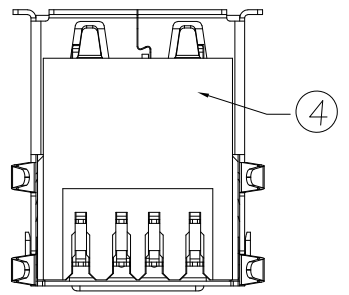


REVISION HISTORY			
REV	DESCRIPTION	Drawing	DATE
01	PROPOSAL	Mei Chen	2016/11/02



Printed Circuit Board (PCB) Layout
(T=1.60mm TOL:±0.05mm)



NAME	MATERIAL	PLATING	COLOR
5 HOUSING	PA66+30%G.F, UL94V-0		BLACK
	PBT+30%G.F, UL94V-0		
4 BACK COVER	SK7	Nickel Plated & Copper Plated	
2 SHELL	SPCC-SD	Bright Tin 80u"Min Plated & Nickel 50u" MinPlated	
	SUS430	Kink MATTE Sn 60u"Min OVER Ni 20u"Min(salt spray 48 hour test)	
1 CONTACTS	Copper Alloy	Au1u" & Matte Tin Plated & Nickel Plated	

PRODUCT SPECIFICATION: DOC.No: SP-AXXX-XX	SCALE 1 : 1	DESIGN UNITS mm
TEST REPORT DOC.No: TR-AXXX-XX	DRAWN Mei Chen	DATE 2016/11/02
GENERAL TOLERANCES (UNLESS SPECIFIED)	CHECKED	DATE
X.XXX ± 0.10	APPROVED	DATE
X.XX ± 0.15		
X.X ± 0.25		
ANGULAR ± 3°	DWG NO. SA0460-001	PART NO. A0460-0001
THIRD ANGLE PROJECTION		DWG REV. 01

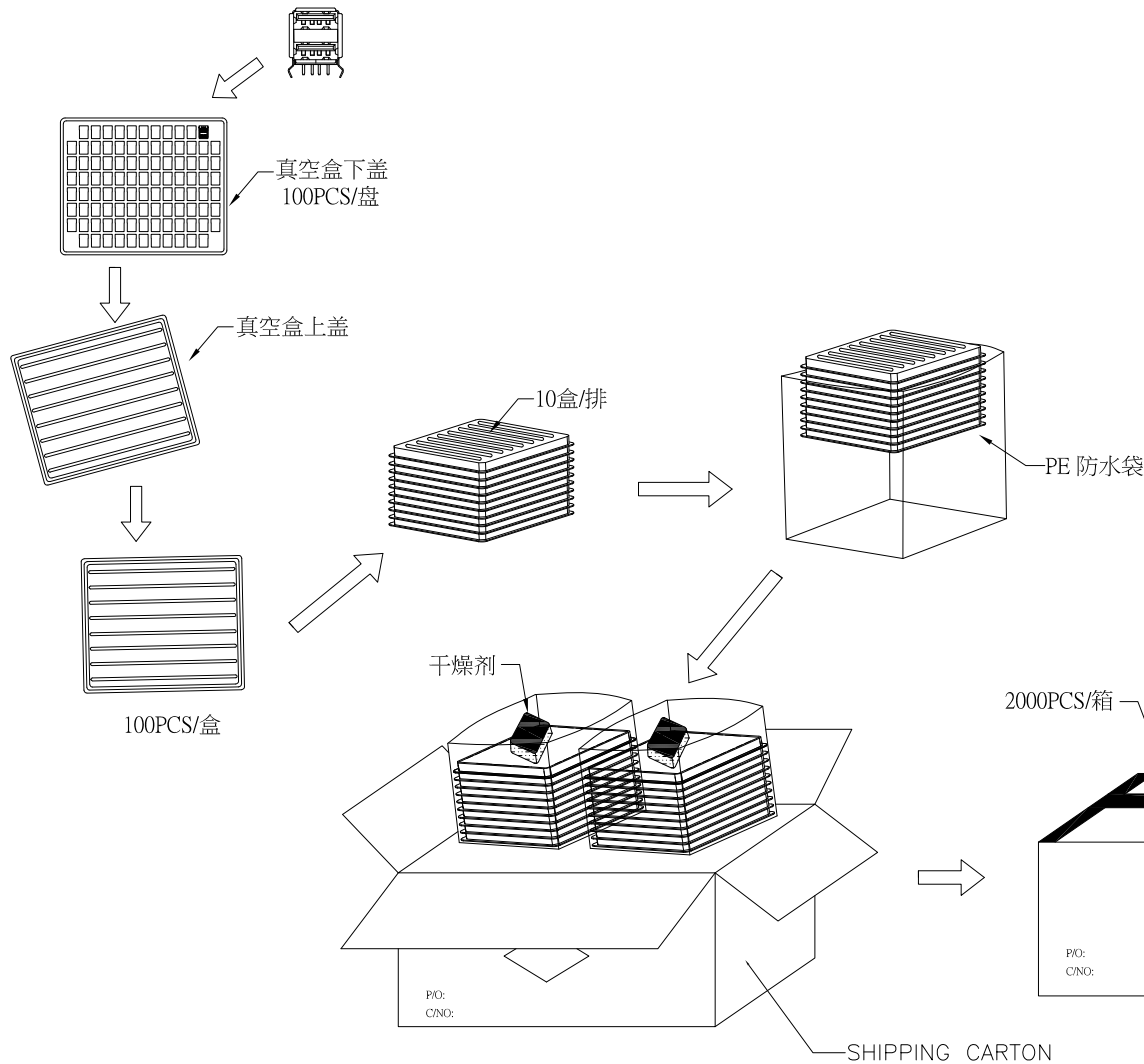
CHT 群匯科技股份有限公司
CHIUN HUEI Technology CO., LTD.

TITLE
USB 2.0 A TYPE RECEPTACLE
RIGHT ANGLE DUAL H=15.44mm

PART NO. A0460-0001
DWG REV. 01
SHEET NO. 1 OF 1

REVISION HISTORY

REV	DESCRIPTION	Drawing	DATE
A	RELEASE	Sandy	2017/09/28



NOTE:

真空盒: L=275 W=230 H=22.7

外箱: L=475 W=280 H=220

PE 防水袋: 2 PCS

干燥剂: 4 包

真空盒上盖: 20PCS

真空盒下盖: 20PCS

净重: 10.40Kg

毛重: 12.81Kg

TABLE:

PRODUCT P/N	PARTS PER TRAY	TOTAL TRAY PER SHIPPING CARTON	PARTS PER SHIPPING CARTON
A0460-0001	100 PCS	20	2000 PCS

SCALE —	DESIGN UNITS mm	SHENZHEN G-SEMI TECHNOLOGYCO, LTD.	
DRAWN Sandy	DATE 2017/09/28	TITLE USB 2.0 A TYPE RECEPTACLE RIGHT ANGLE DUAL H=15.44mm	
CHECKED	DATE		
APPROVED	DATE		
DWG NO. PA0460-001	PART NO. see table	DWG REV. A	SHEET NO. 1 OF 1