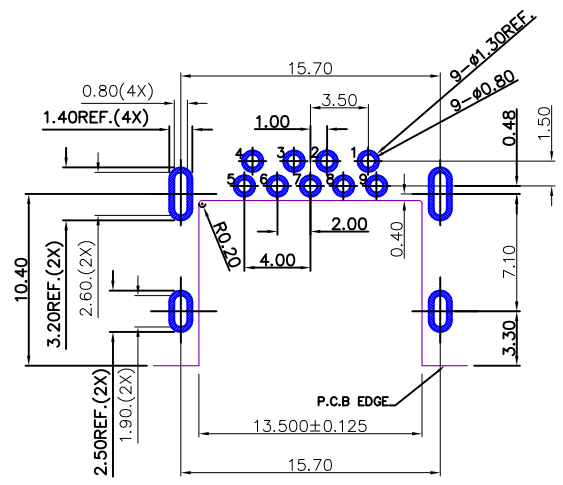
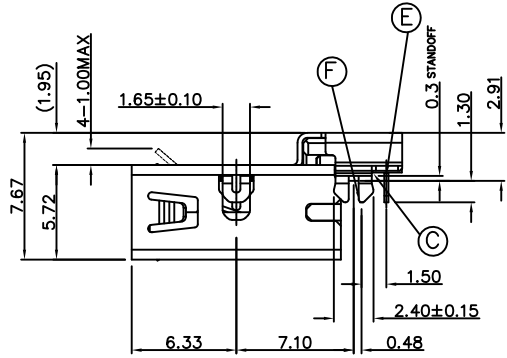
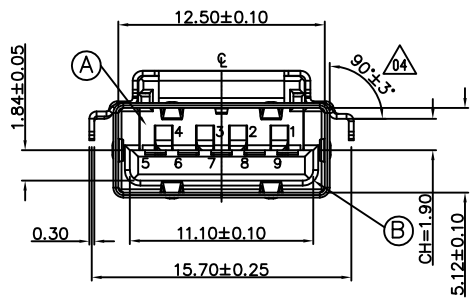
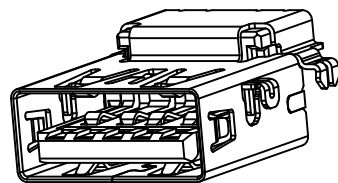
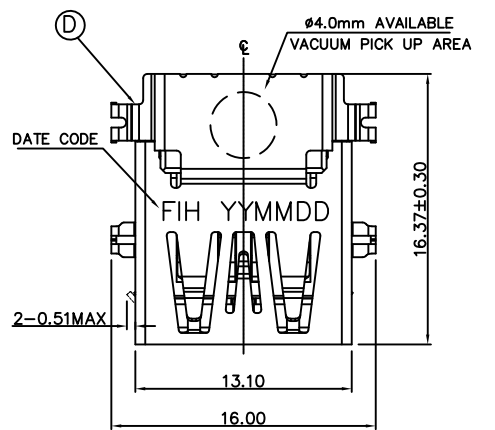
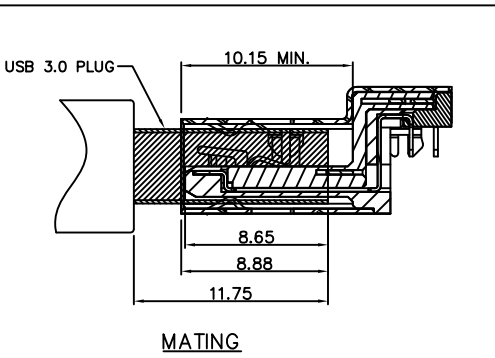


REVISION HISTORY			
REV	DESCRIPTION	Drawing	DATE
A	RELEASE	Sandy	2017/12/18



Recommended P.C.B Layout TOLERANCE=±0.03

- NOTE:
 1. PRODUCT SPECIFICATION REFER TO SP-A0501-01
 2. PACKAGE DRAWING REFER TO PA0501-01
 3. PRODUCT MUST CONFORM TO RoHS AND HALOGEN FREE REQUIREMENT



NO.	DESCRIPTION	Q'TY	MATERIAL	REMARK
F	5 PIN TERMINAL	5	C2680-H,T=0.2mm	Au2u"+30u"Pd/Ni ON MATING AREA,MATTE Sn 120u" UNSOLDERING AREA, 80u"NICKEL UNDER PLATING OVERALL
E	4 PIN TERMINAL	4	C5210R-H,T=0.25mm	
D	SHELL	1	SK7,T=0.3mm	120u"NICKEL/100u"Cu
C	SPACER	1	LCP E130i	UL94 V-0,BLACK
B	5 PIN HOUSING	1	LCP E130i	UL94 V-0,BLACK
A	4 PIN HOUSING	1	LCP E130i	UL94 V-0,BLACK

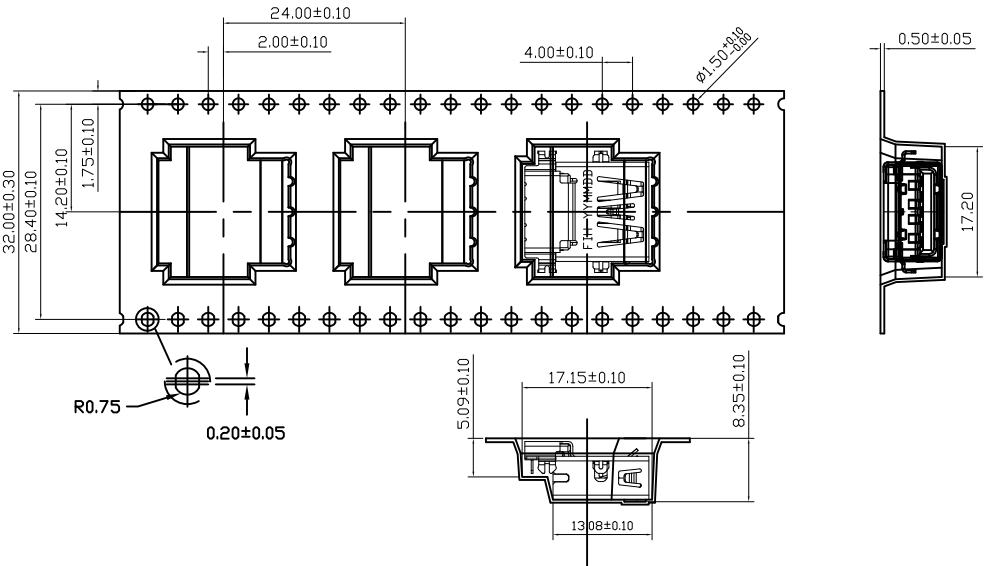
PIN NO.	1	2	3	4	
SIGNAL NAME	VBUS	D-	D+	PGND	
REMARK	USB2.0 CONTACT PIN				
PIN NO.	5	6	7	8	9
SIGNAL NAME	SSRX-	SSRX+	GND	SSTX-	SSTX+
REMARK	USB3.0 CONTACT PIN				

PRODUCT SPECIFICATION: DOC.No: SP-A0501-01	SCALE	DESIGN UNITS
TEST REPORT DOC.No: TR-A0501-01	1 : 1	mm
GENERAL TOLERANCES (UNLESS SPECIFIED)	DRAWN	DATE
X.XXX ± 0.20	Mei Chen	2017/04/14
X.XX ± 0.25	CHECKED	DATE
X.X ± 0.35	APPROVED	DATE
ANGULAR ± 3°	DWG NO.	PART NO.
THIRD ANGLE PROJECTION	SA0501-001	A0501-0004

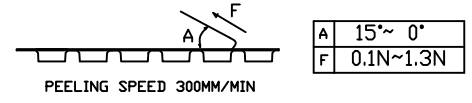
FULLINHOPE Technology, LTD.		
TITLE		
REVERSE SINK TYPE CH=1.9 USB3.0 CONNECTOR		
DWG NO.	PART NO.	DWG REV.
SA0501-001	A0501-0004	A
SHEET NO.	1 OF 1	

REVISION HISTORY			
REV	DESCRIPTION	Drawing	DATE
A	RELEASE	Sandy	2017/12/18

PULL OUT DIRECTION

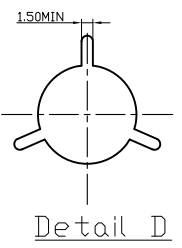
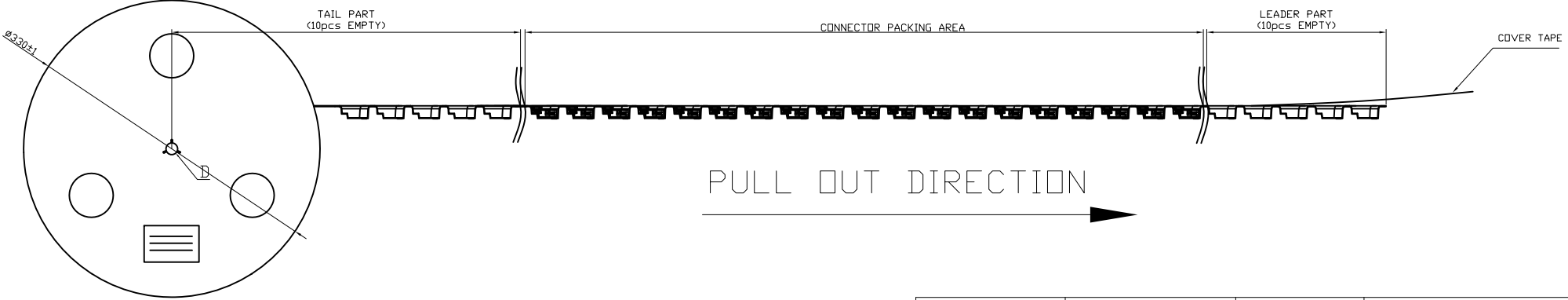


1. COVER TAPE PEELING FORCE:



A	15°~ 0°
F	0.1N~1.3N

2. PART DIMENSIONS MEET EIA-481-2-A REQUIREMENT



PRODUCT P/N	PARTS PER SHIPPING CARTON	PARTS PER REEL	LOADED REEL PER SHIPPING CARTON
A0501-0004	1500	250	6

PRODUCT SPECIFICATION: DOC.No: SP-Axxxx-001	SCALE 1 : 1	DESIGN UNITS mm	FULLINHOPE Technology, LTD.	
TEST REPORT DOC.No: TR-Axxxx-001	DRAWN Mei Chen	DATE 2017/04/14	TITLE REVERSE SINK TYPE CH=1.9 USB3.0 CONNECTOR	
GENERAL TOLERANCES (UNLESS SPECIFIED)	CHECKED	DATE		
X.XXX ± 0.20	APPROVED	DATE		
X.XX ± 0.20				
X.X ± 0.25				
ANGULAR ± 3°				
THIRD ANGLE PROJECTION	DWG NO. PA0501-001	PART NO. A0501-0004	DWG REV. A	SHEET NO. 1 OF 1