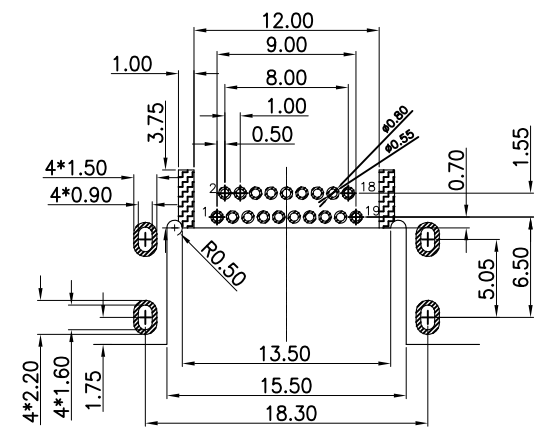
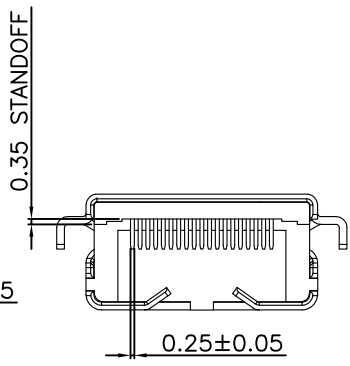
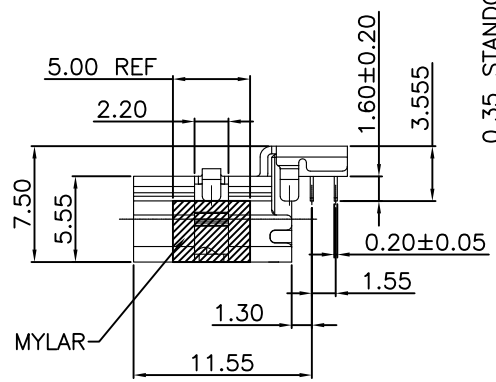
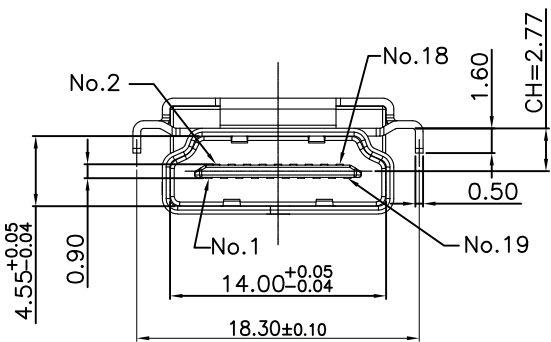
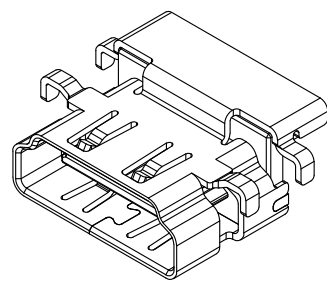
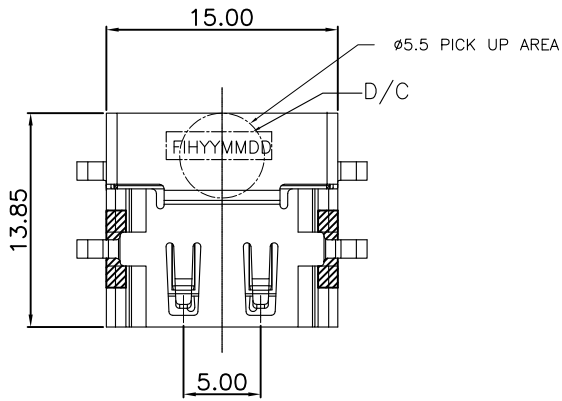
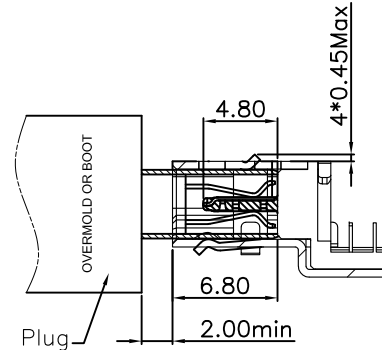
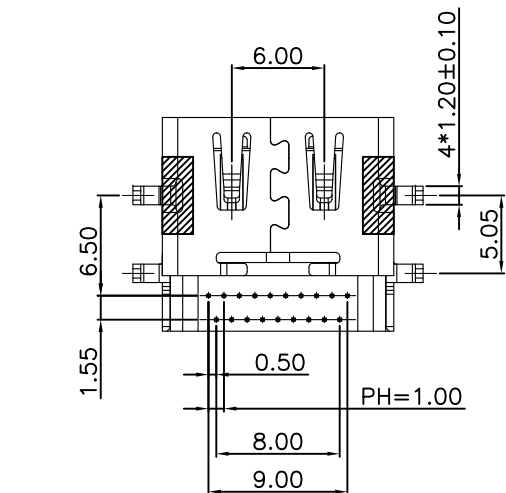


REVISION HISTORY			
REV	DESCRIPTION	Drawing	DATE
A	RELEASE	Mei Chen	2018/08/30



RECOMMENDED P.C.B LAYOUT  
P.C.B THICKNESS=1.2mm(TOLERANCE=±0.05)  
 PLASTIC STAND OFF



- NOTES:
- MATERIAL:
    - 1.1 PLASTIC: LCP , UL 94V-0, COLOR: BLACK
    - 1.2 CONTACT: C2680
    - 1.3 SHELL: SPCC
  - FINISH:
    - 2.1 TERMINAL: 50u" MIN. NICKEL PLATED OVERALL
    - 2.2 CONTACT: SELECTIVE GOLD PLATED, SEE TABLE A
    - 2.3 TAIL: 100u" MATT-TIN PLATED
    - 2.4 SHELL: 50u" MIN. NICKEL PLATED OVERALL
  - PRODUCT SPECIFICATION REFER TO SP-A0589-01
  - PACKAGE DRAWING REFER TO PA0589-01
  - PRODUCT MUST CONFORM TO RoHS AND HALOGEN FREE REQUIREMENT
  - DATE CODE: XX (YEAR), XX (MONTH) ,XX (DATE)

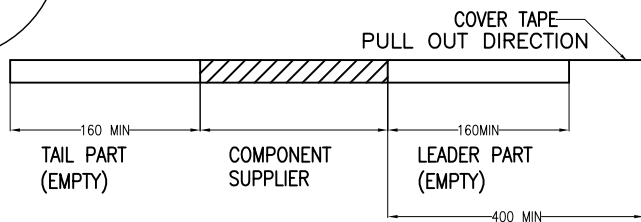
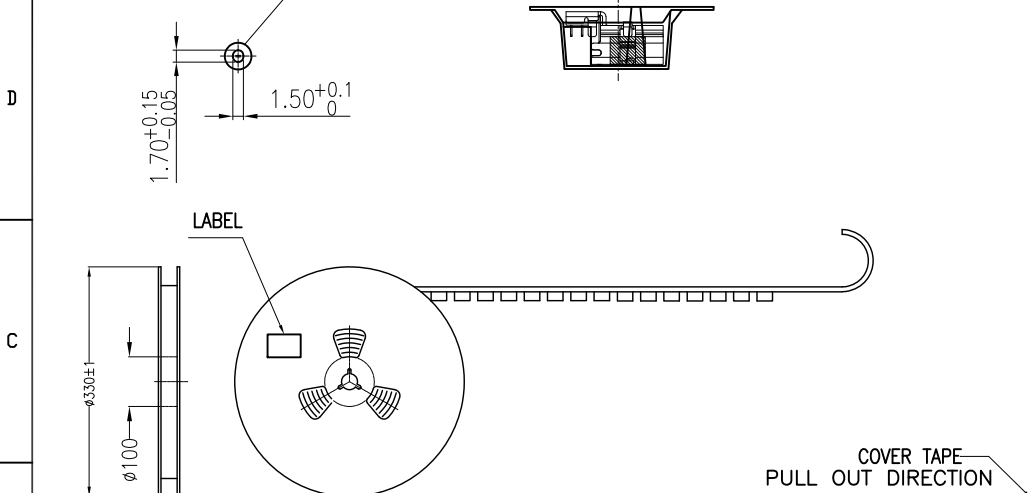
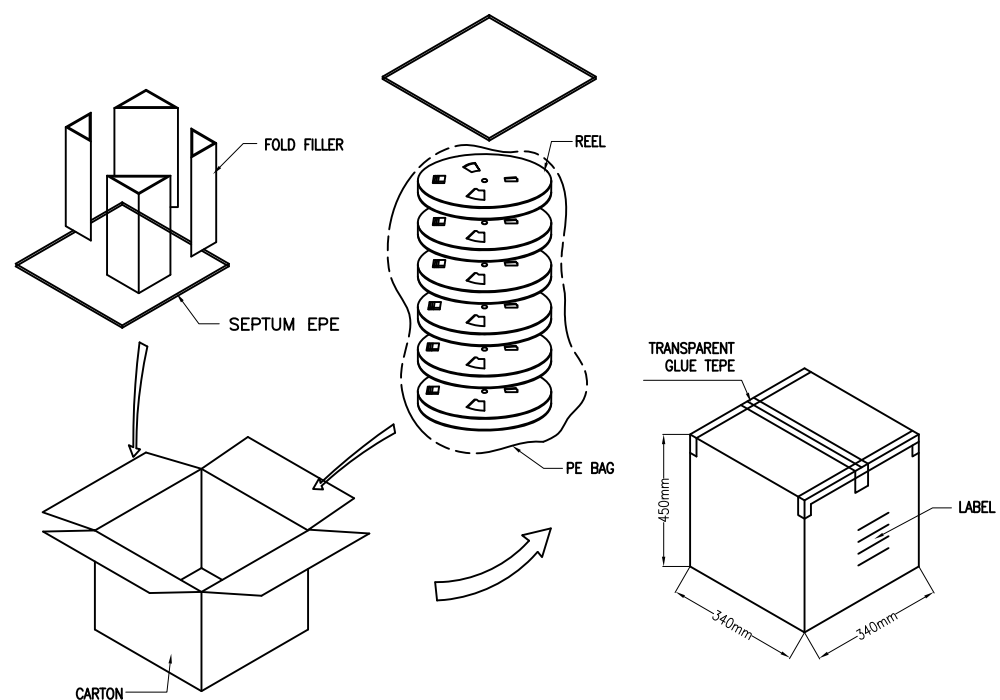
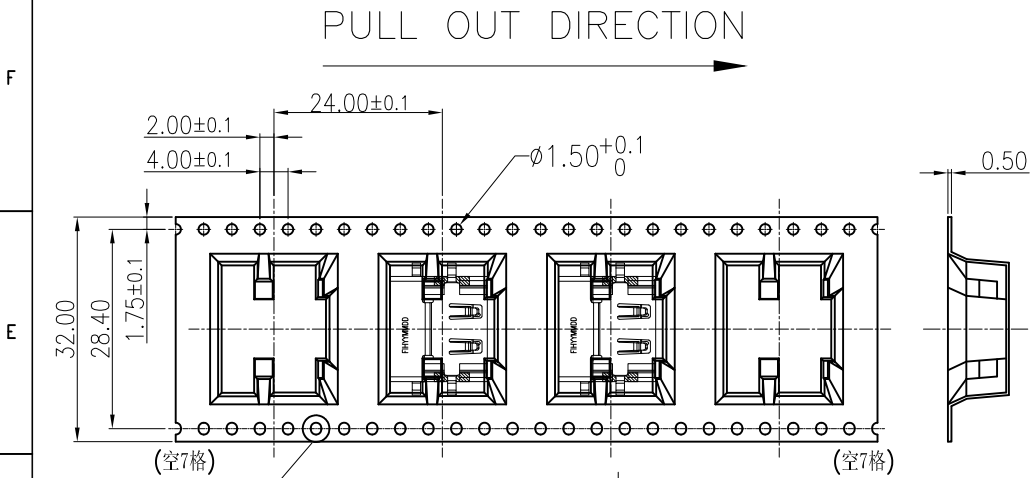
FIH P/N	TABLE A GOLD PLATING THICKNESS
A0589-0003	Au30u
A0589-0001	G/F

PRODUCT SPECIFICATION: DCC.No: SP-AXXXX-XX	SCALE 1 : 1	DESIGN UNITS mm	FULLINHOPE Technology, LTD.	
TEST REPORT DCC.No: TR-AXXXX-XX	DRAWN Mei Chen	DATE 2018/05/31	TITLE	
GENERAL TOLERANCES (UNLESS SPECIFIED)	CHECKED	DATE	HDMI AF R/A DIP RVS TYPE	
X.XXX ± 0.10	APPROVED	DATE	CH= -2.77	
X.XX ± 0.15	ANGULAR ± 3°			
X.X ± 0.20	THIRD ANGLE PROJECTION	DWG NO. SA0589-001	PART NO. TABLE A	DWG REV. A
			SHEET NO. 1 OF 1	

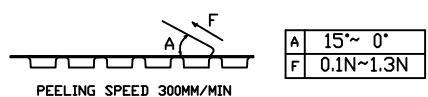
10 9 8 7 6 5 4 3 2 1

REVISION HISTORY

REV	DESCRIPTION	Drawing	DATE
A	RELEASE	Mei Chen	2018/09/10



1. COVER TAPE PEELING FORCE:



2. PART DIMENSIONS MEET EIA-481-2-A REQUIREMENT

TABLE

PRODUCT P/N	PARTS PER SHIPPING CARTON	PARTS PER REEL	LOADED REEL PER SHIPPING CARTON
A0589-0003	3000	300	10
A0589-0001			

PRODUCT SPECIFICATION: DOC.No: SP-AXXXX-001	SCALE 1 : 1	DESIGN UNITS mm	FULLINHOPE Technology, LTD.	
TEST REPORT DOC.No: TR-AXXXX-001	DRAWN Mei Chen	DATE 2018/02/05	TITLE HDMI AF R/A DIP RVS TYPE CH= -2.77	
GENERAL TOLERANCES (UNLESS SPECIFIED)	CHECKED	DATE		
X.XXX ± 0.20	APPROVED	DATE		
X.XX ± 0.20				
X.X ± 0.25				
ANGULAR ± 3°				
THIRD ANGLE PROJECTION	DWG NO. PA0589-001	PART NO. SEE TABLE	DWG REV. A	SHEET NO. 1 OF 1

9 8 7 6 5 4 3 2 1