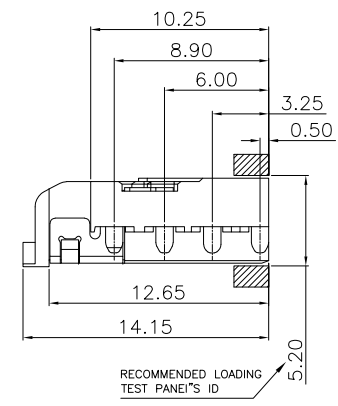
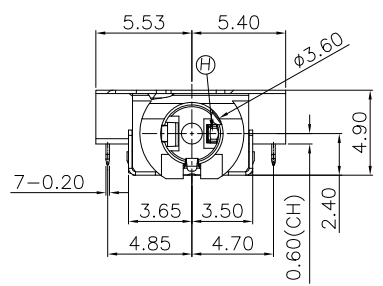
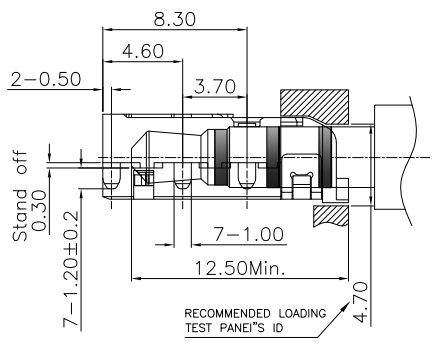


REVISION HISTORY			
REV	DESCRIPTION	Drawing	DATE
02	增加進膠口形狀位置	Allen	2022/07/05



- NOTES:
- MATERIAL: SEE "TABLE A";
  - FINISH: SEE "TABLE A";
  - ELECTRICAL:
    - VOLTAGE RATING: 12 VAC RMS;
    - CURRENT RATING: 1 AMP;
    - CONTACT RESISTANCE: 50mΩ Max.(Initial), 100mΩ Max.(After Life test);
    - INSULATION RESISTANCE: 100 MΩ Min., 500VDC.(Initial), 50 MΩ Min., 500VDC.(After Humidity test);
    - WITHSTAND VOLTAGE: 500 VAC RMS 50(60)Hz,1minute;
  - MECHANICAL:
    - MATING FORCE: 3.0Kgf MAX.;
    - UNMATING FORCE: 0.3Kgf MIN.;
    - OPERATING LIFE: 5000 CYCLES MIN.;
  - ENVIRONMENTAL:
    - OPERATION: -30°C~+80°C.

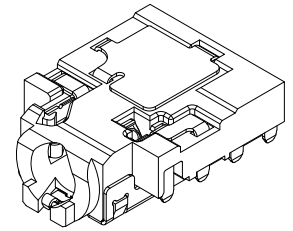
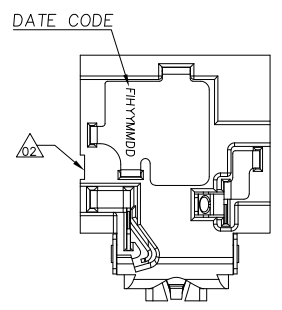
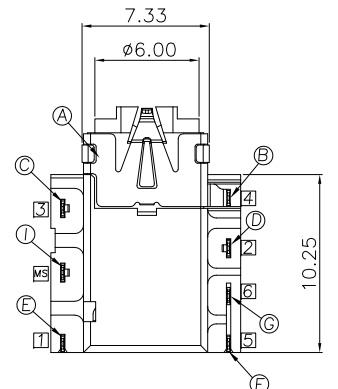
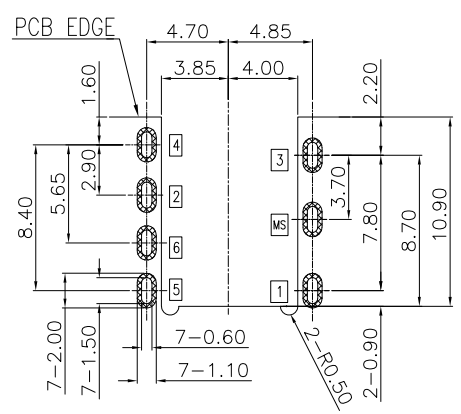
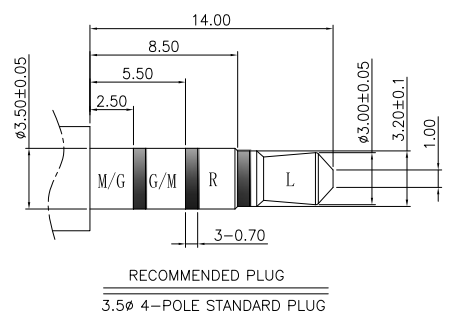


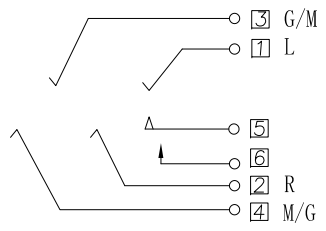
TABLE A:

NO.	DESCRIPTION	QTY	MATERIAL	REMARK	
I	Shield shell	MS	1	C5210-EH, 0.20t	Nickel 50u" Min
H	Insulator	1	LCP+30%GF,UL 94V-0		Black
G	Make Spring	6	1	C5210-EH, 0.20t	Gold Flash Plated, 50u" Ni underplated.
F	Transfer Spring	5	1	C5210-EH, 0.20t	
E	Tip spring	1	1	C5210-EH, 0.20t	
D	Ring spring	2	1	C5210-EH, 0.20t	Gold Flash on contact area, Matte Sn 100u" on solder
C	Ring spring	3	1	C5210-EH, 0.20t	All over Nickel 50u"
B	Earth spring	4	1	C5210-EH, 0.20t	
A	Housing	1	PA10T+30%GF,UL 94V-0		Black

PLUG SPEC



SCHEMATIC

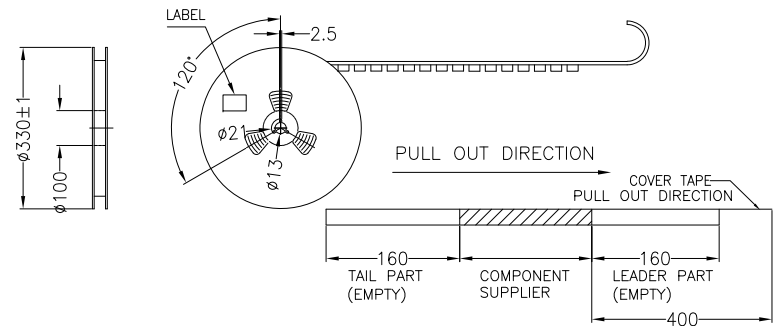
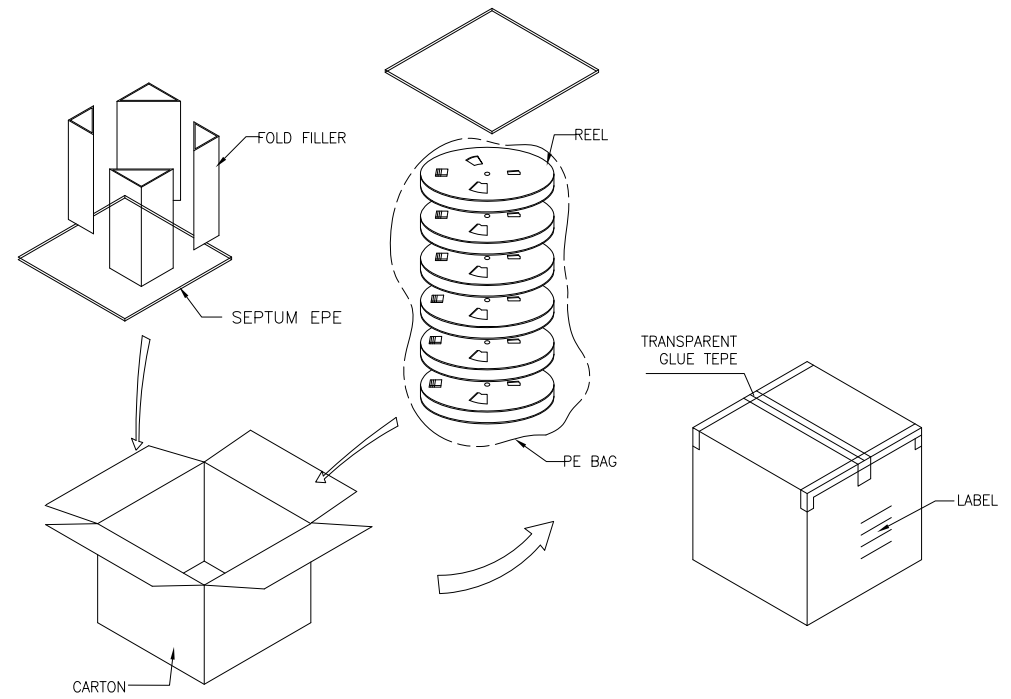
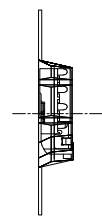
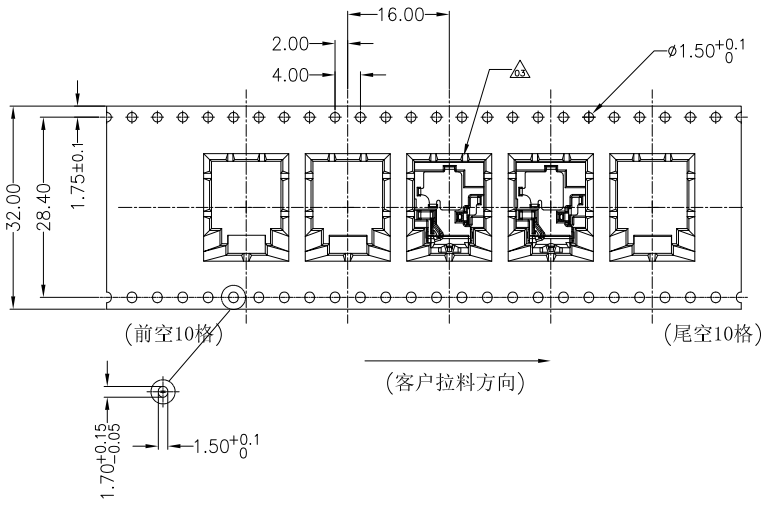


FULLINHOPE Technology, LTD.

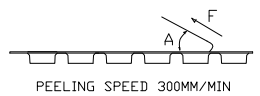
φ3.5 AUDIO JACK  
CH=0.6mm

PRODUCT SPECIFICATION: DOC.No: SP-AXXXX-001	SCALE 1 : 1	DESIGN UNITS mm	TITLE			
TEST REPORT DOC.No: TR-AXXXX-001	DRAWN Allen	DATE 2022/05/26	PART NO. A0927-0001			
GENERAL TOLERANCES (UNLESS SPECIFIED)	CHECKED	DATE			DWG REV. 02	SHEET NO. 1 OF 1
X.XXX ± 0.20	APPROVED	DATE				
X.XX ± 0.25						
X.X ± 0.30						
ANGULAR ± 3°	DWG NO. SA0927-001					
THIRD ANGLE PROJECTION						

REVISION HISTORY			
REV	DESCRIPTION	Drawing	DATE
03	產品方向變更	Allen	2022/07/15



1.COVER TAPE PEELING FORCE:



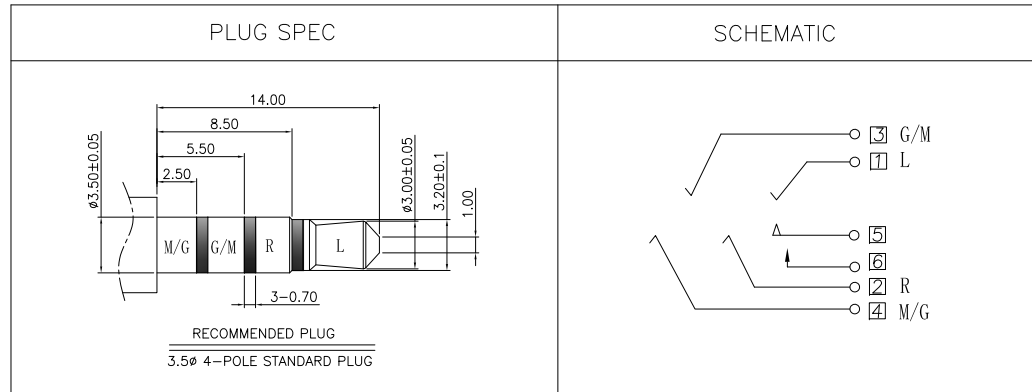
A	15°~ 0°
F	0.1N~1.3N

2.PART DIMENSIONS MEET EIA-481-D REQUIREMENT

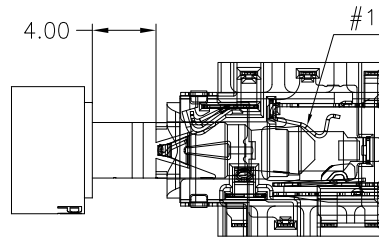
TABLE

PRODUCT P/N	PARTS PER SHIPPING CARTON	PARTS PER REEL	LOADED REEL PER SHIPPING CARTON
A0927-0001	7000	700	10

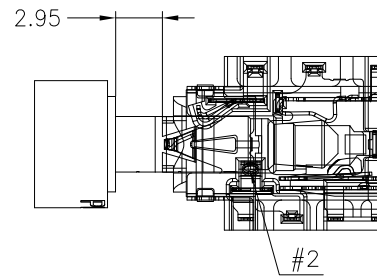
PRODUCT SPECIFICATION: DOC.No: SP-Axxxx-001	SCALE 1 : 1	DESIGN UNITS mm	FULLINHOPE Technology, LTD.	
TEST REPORT DOC.No: TR-Axxxx-001	DRAWN Allen	DATE 2022/05/30	TITLE  ø3.5 AUDIO JACK CH=0.6mm	
GENERAL TOLERANCES (UNLESS SPECIFIED)	CHECKED	DATE		
X.XXX ± 0.20	APPROVED	DATE		
X.XX ± 0.20				
X.X ± 0.25				
ANGULAR ± 3°				
THIRD ANGLE PROJECTION	DWG NO. PA0927-001	PART NO. A0927-0001	DWG REV. 03	SHEET NO. 1 OF 1



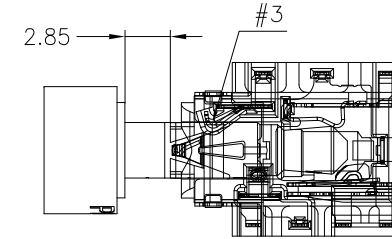
STEP 1:  
PLUG CONTACT #1



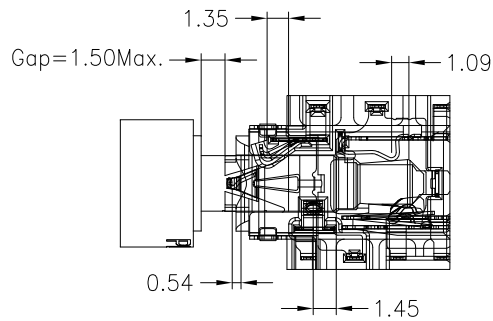
STEP 2:  
PLUG CONTACT #2



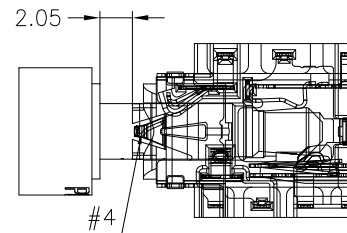
STEP 3:  
PLUG CONTACT #3



STEP 5:  
PLUG CONTACT #4



STEP 5:  
PLUG CONTACT #4



STEP 4:  
PLUG CONTACT #6

